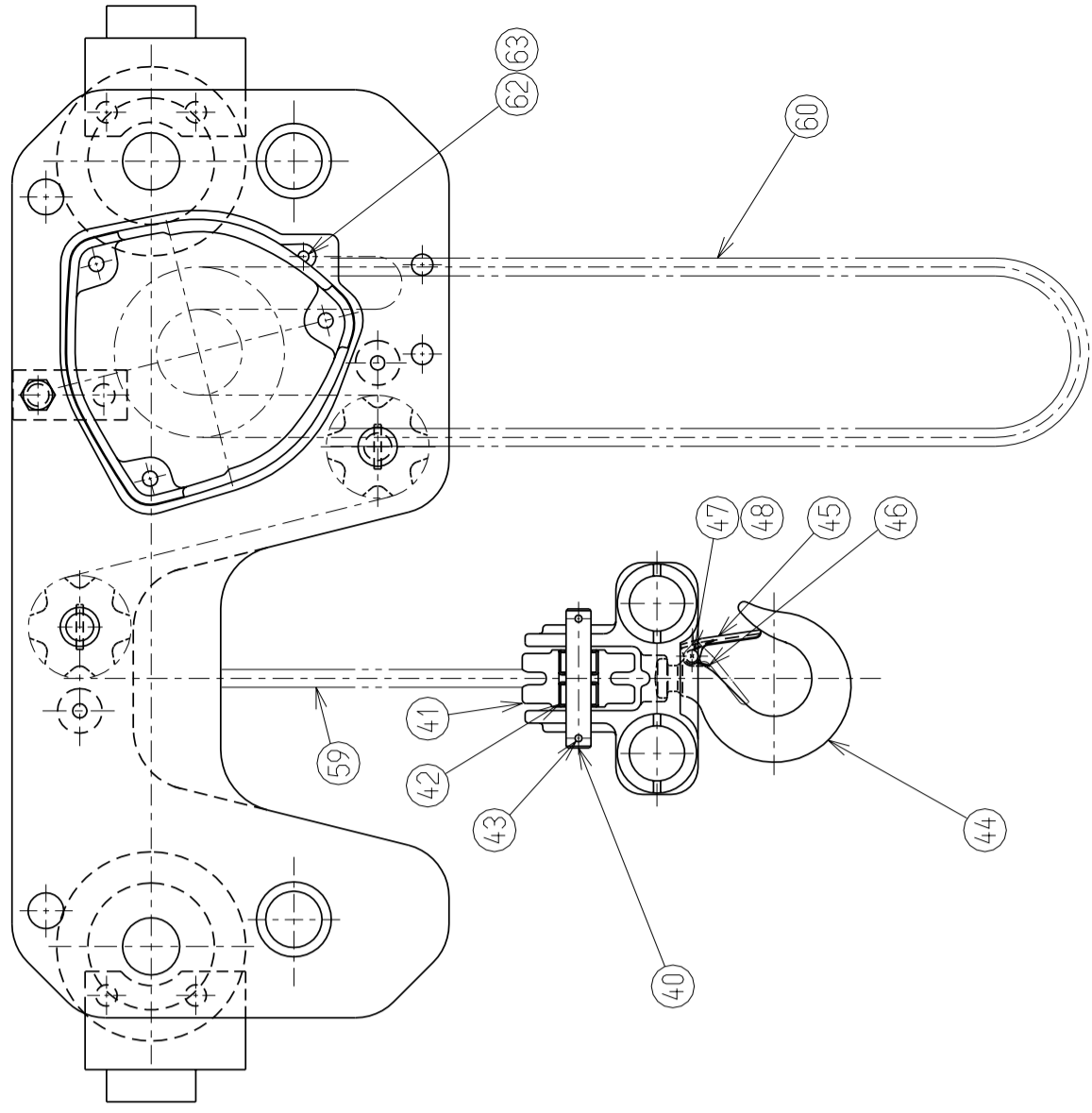
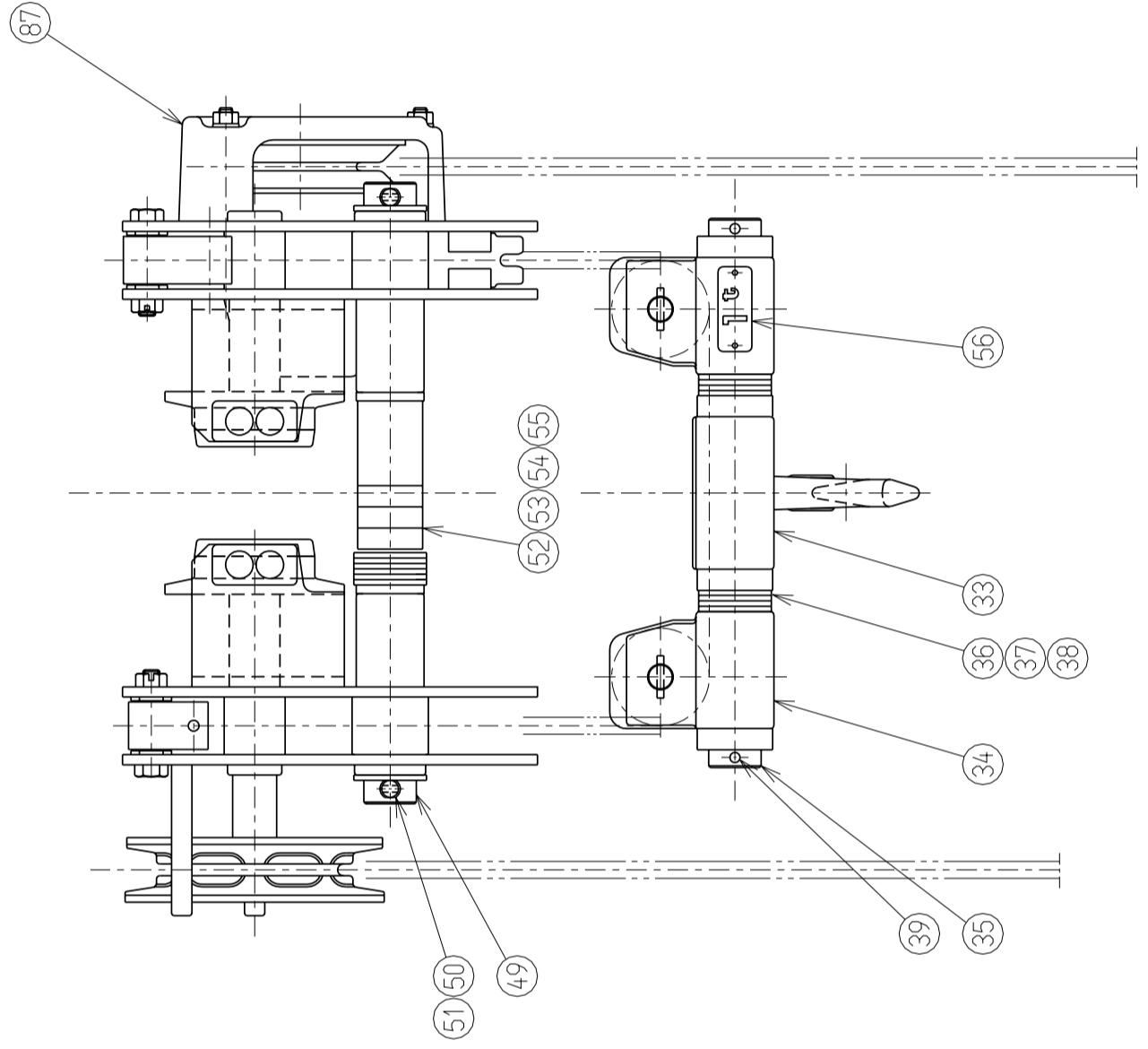
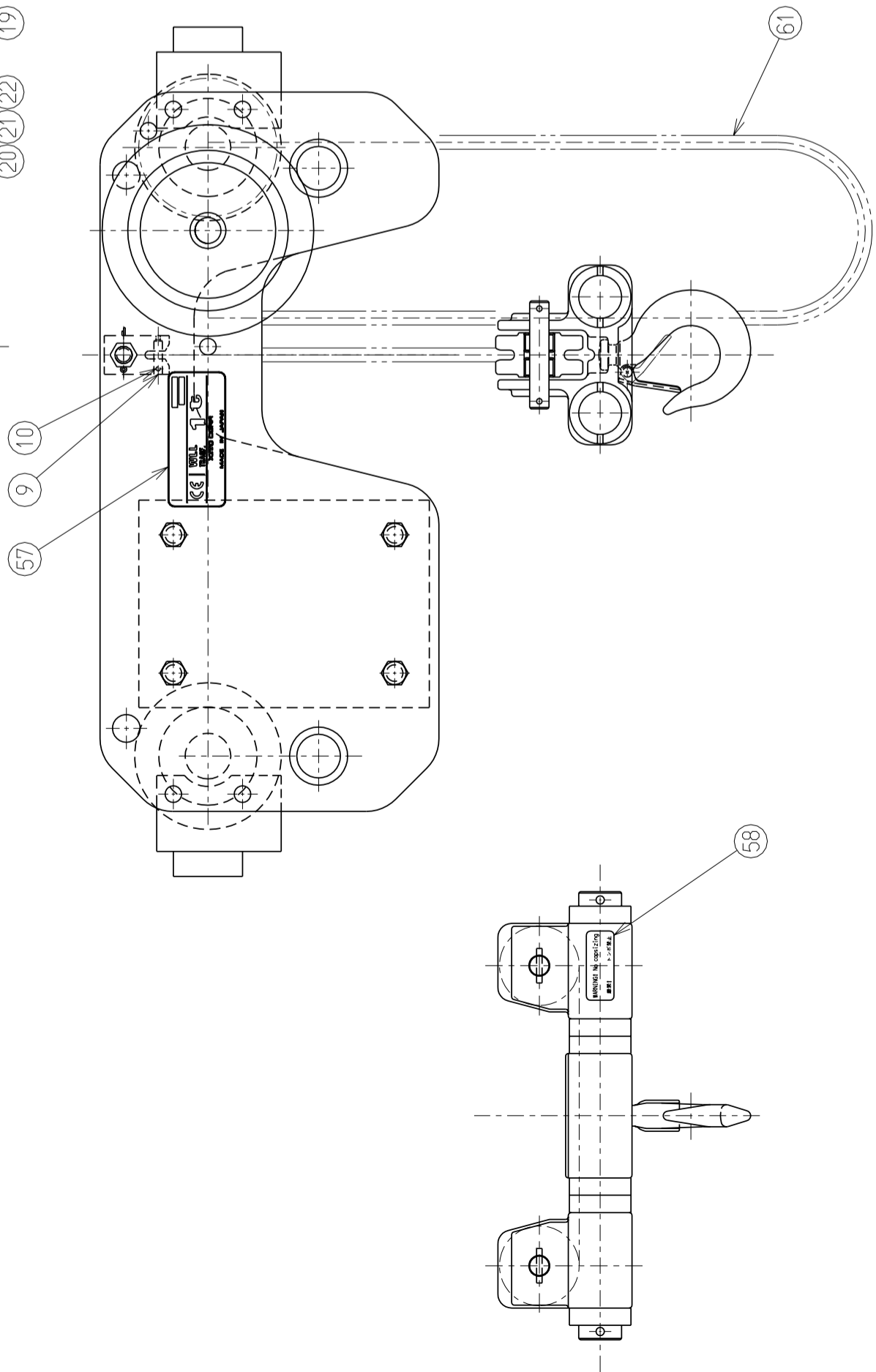
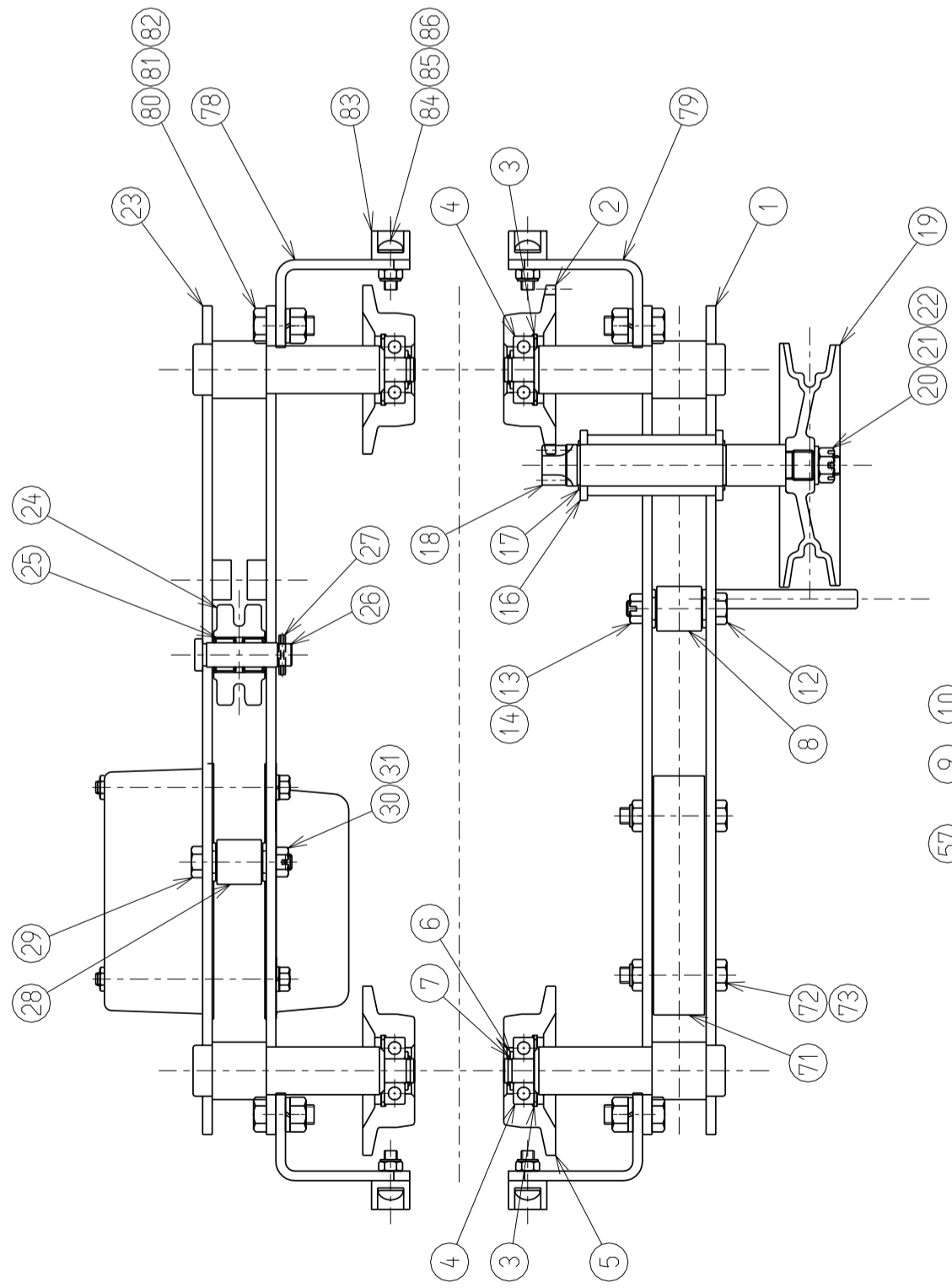
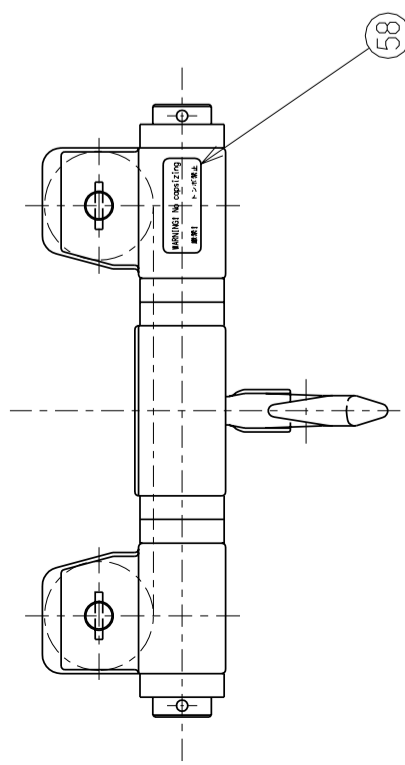
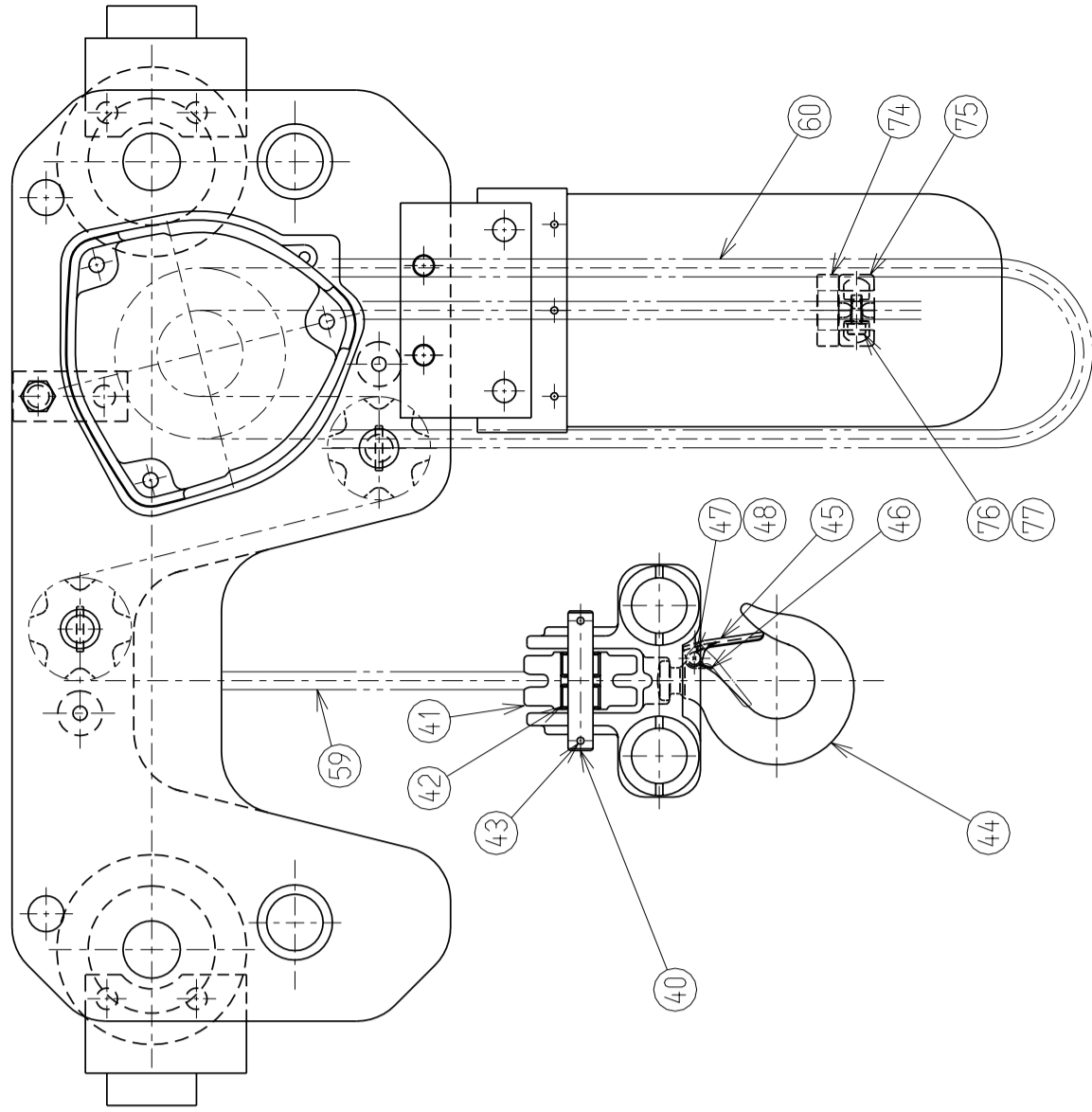
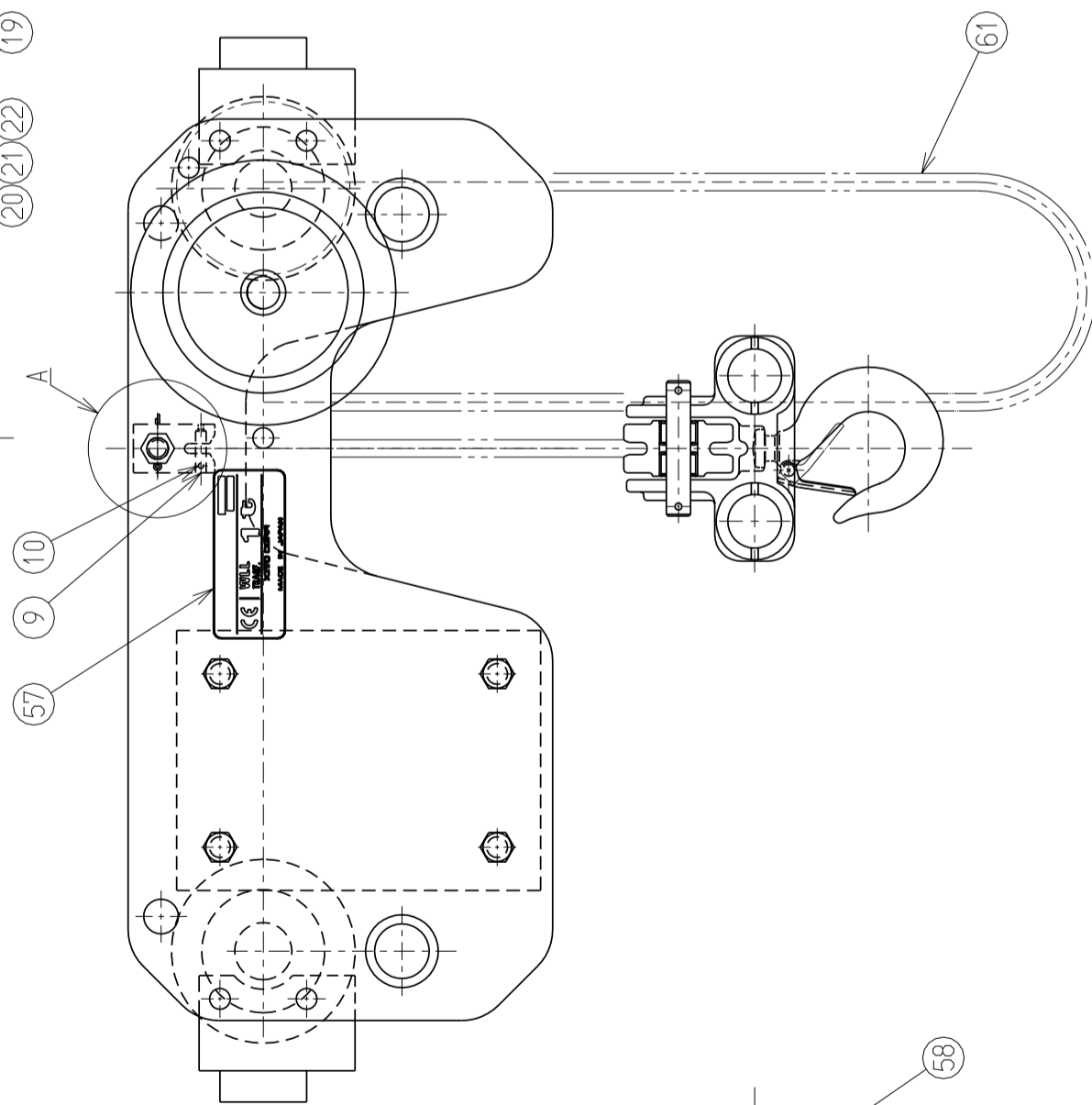
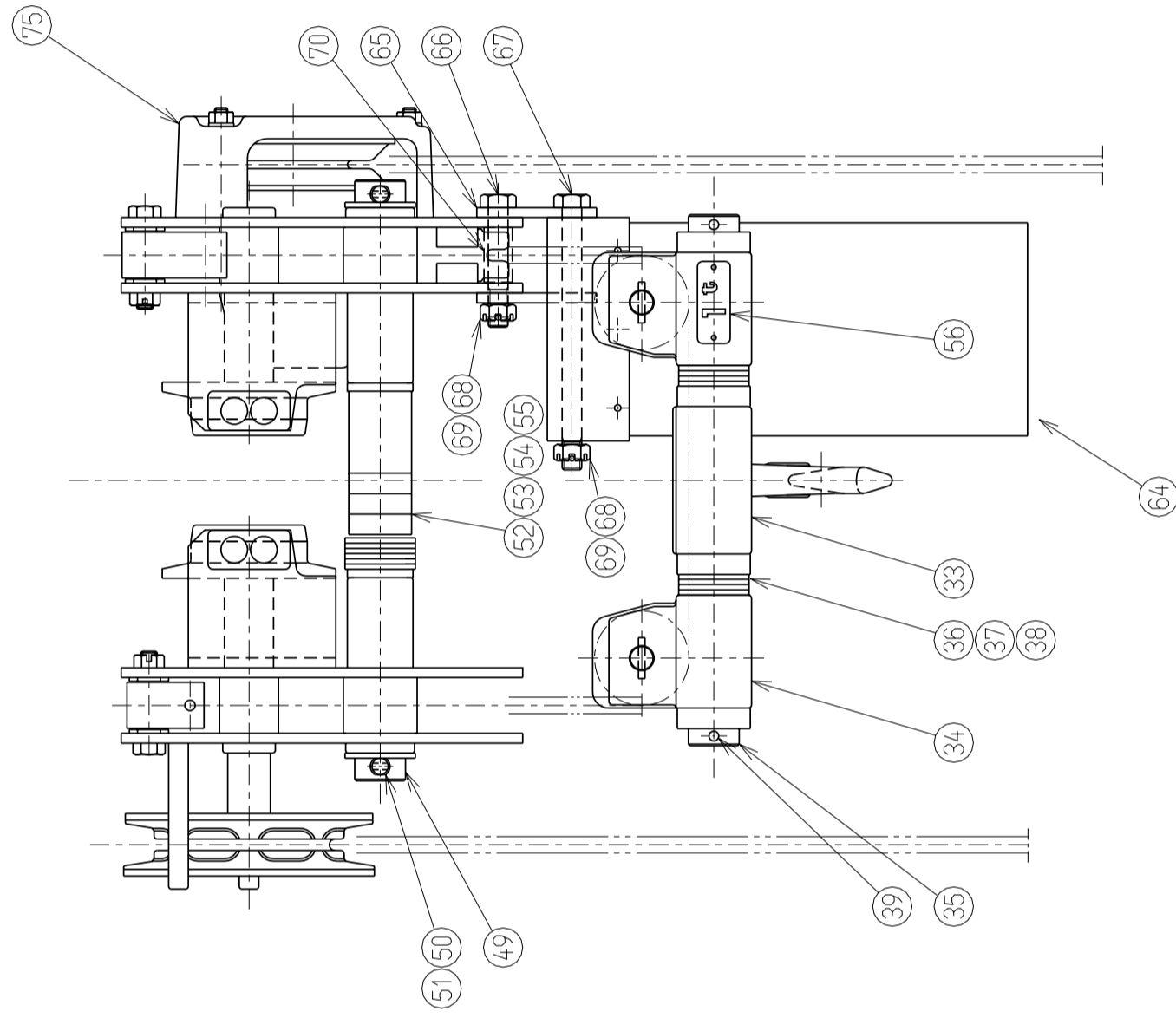
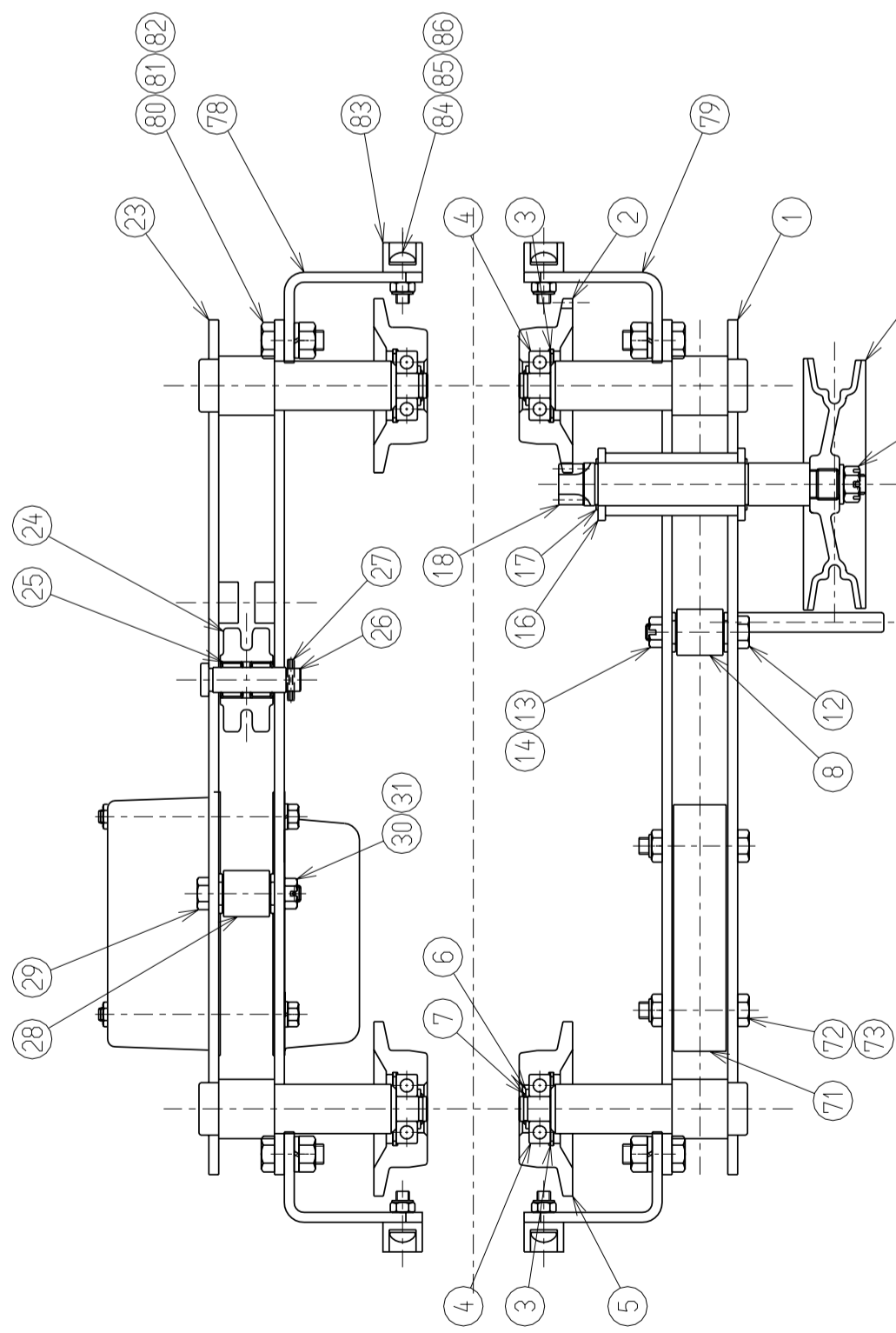


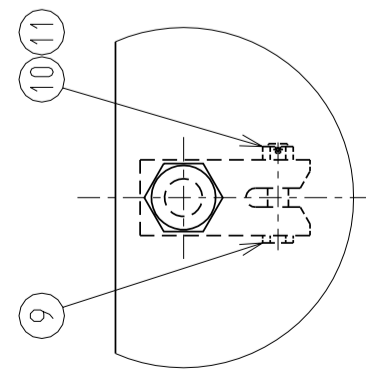
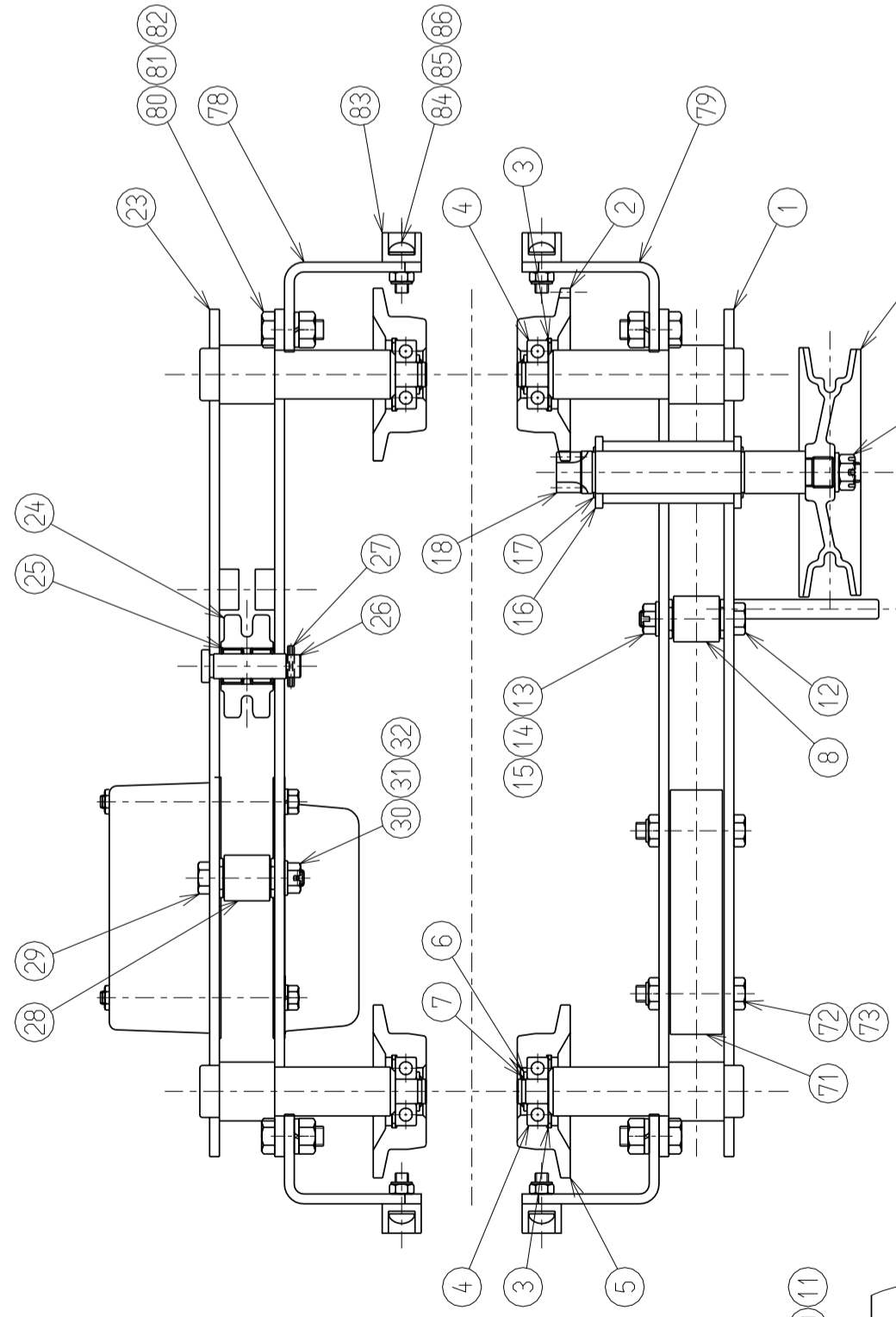
SHB010~030



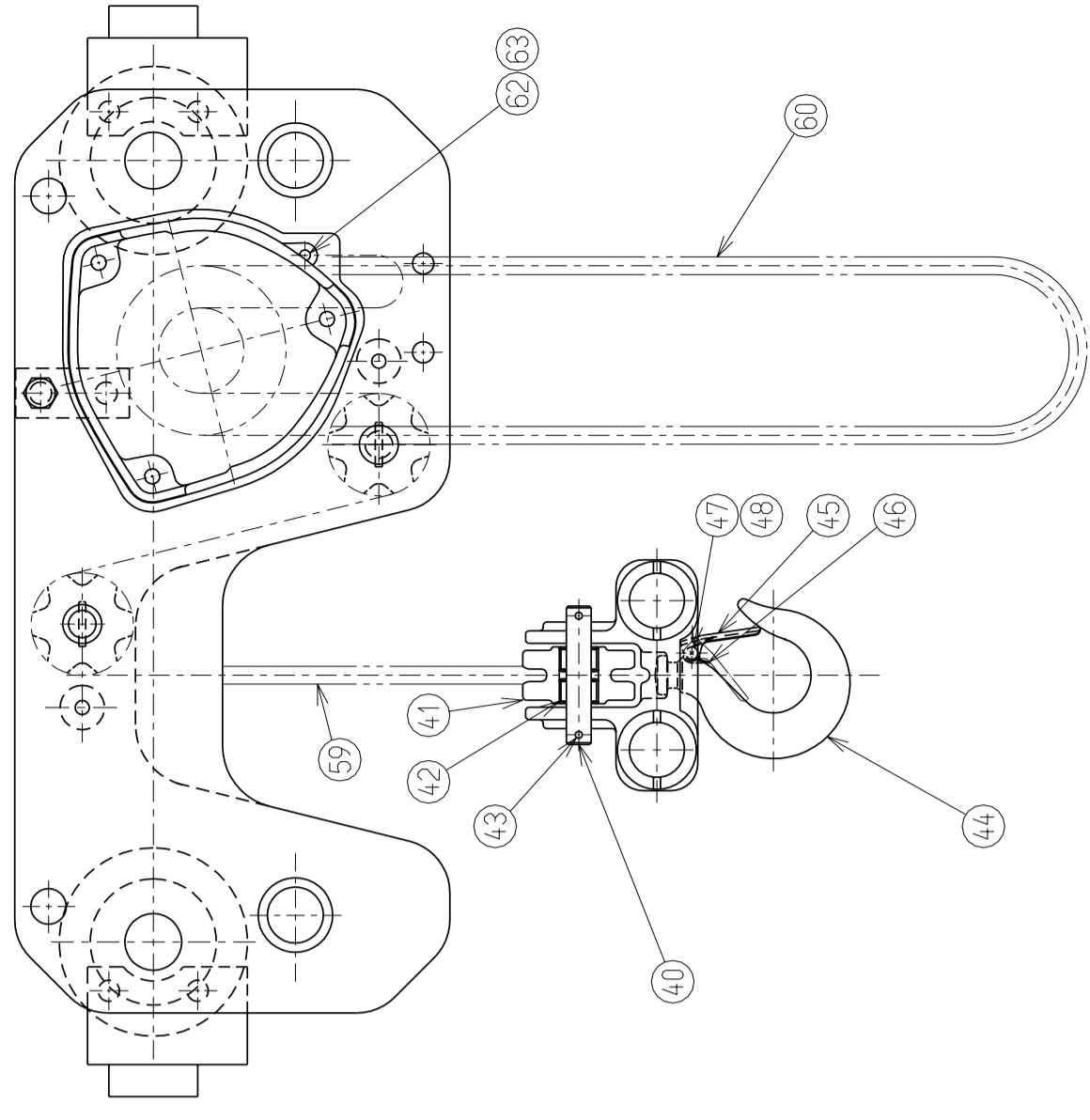
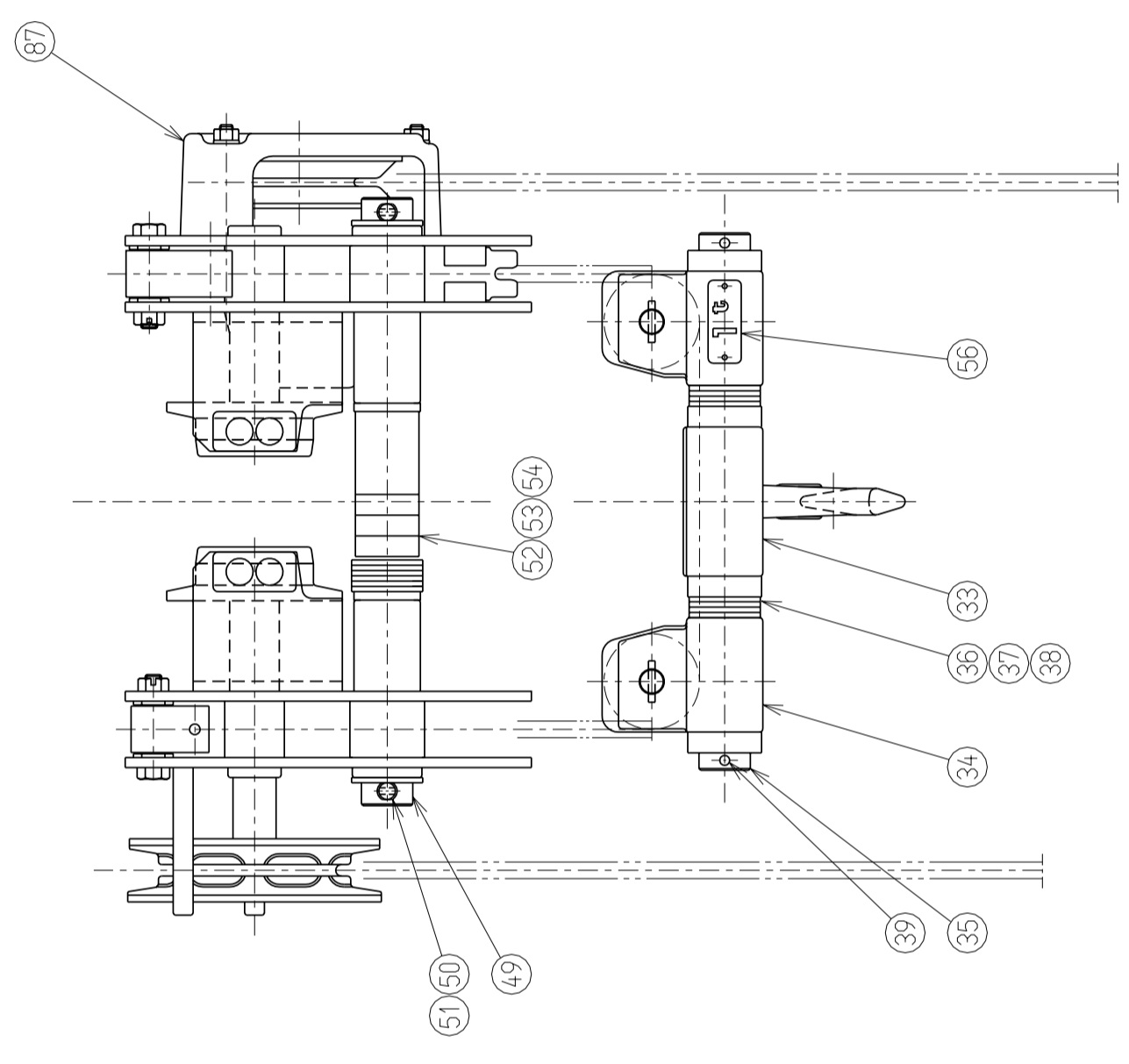
SHB010~030 with chain container



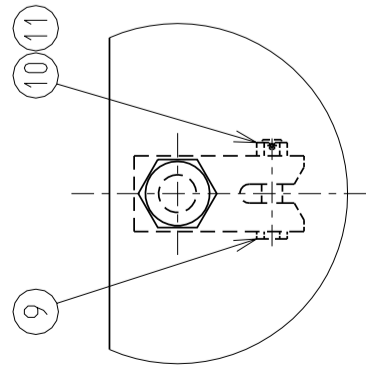
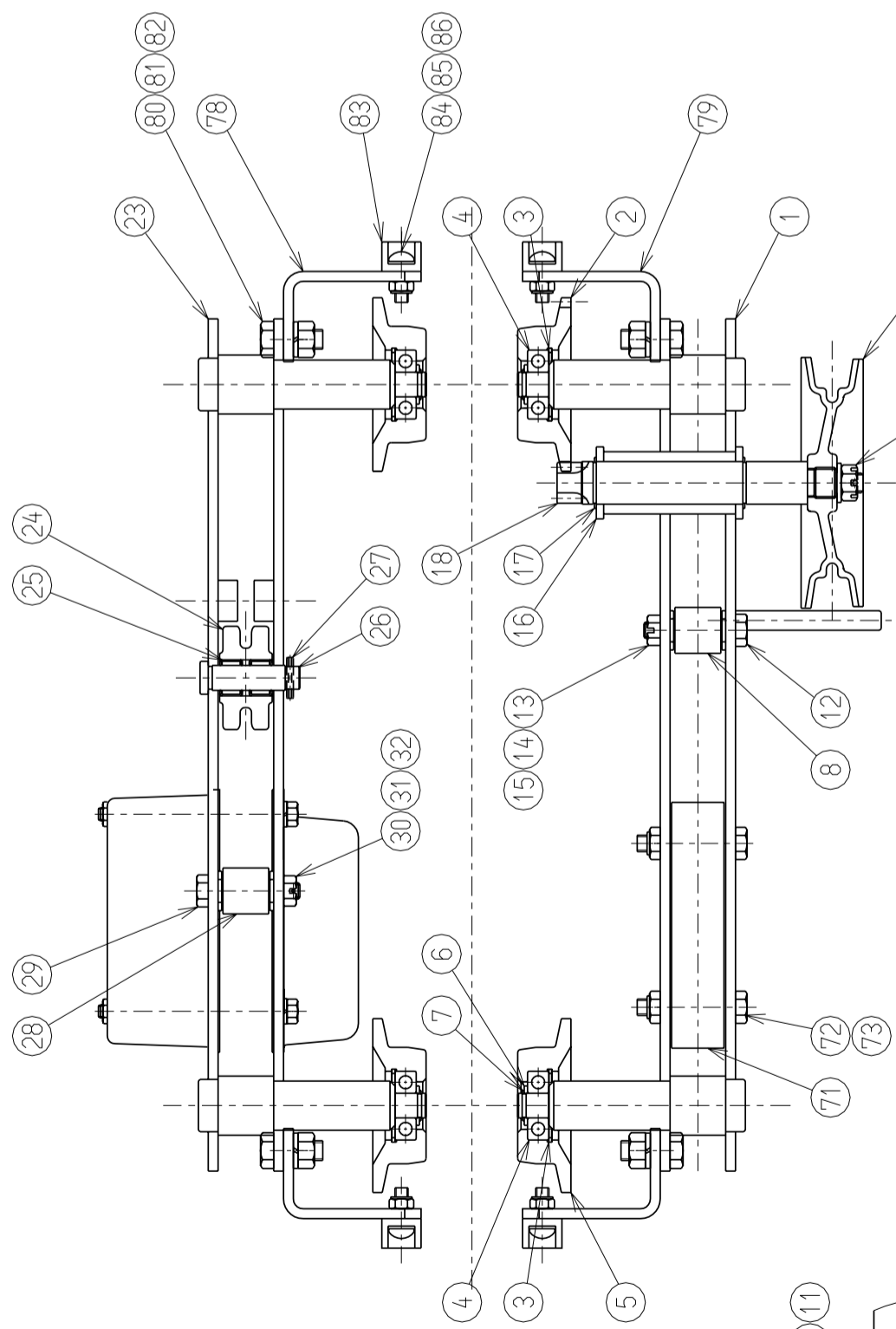
# SHB050



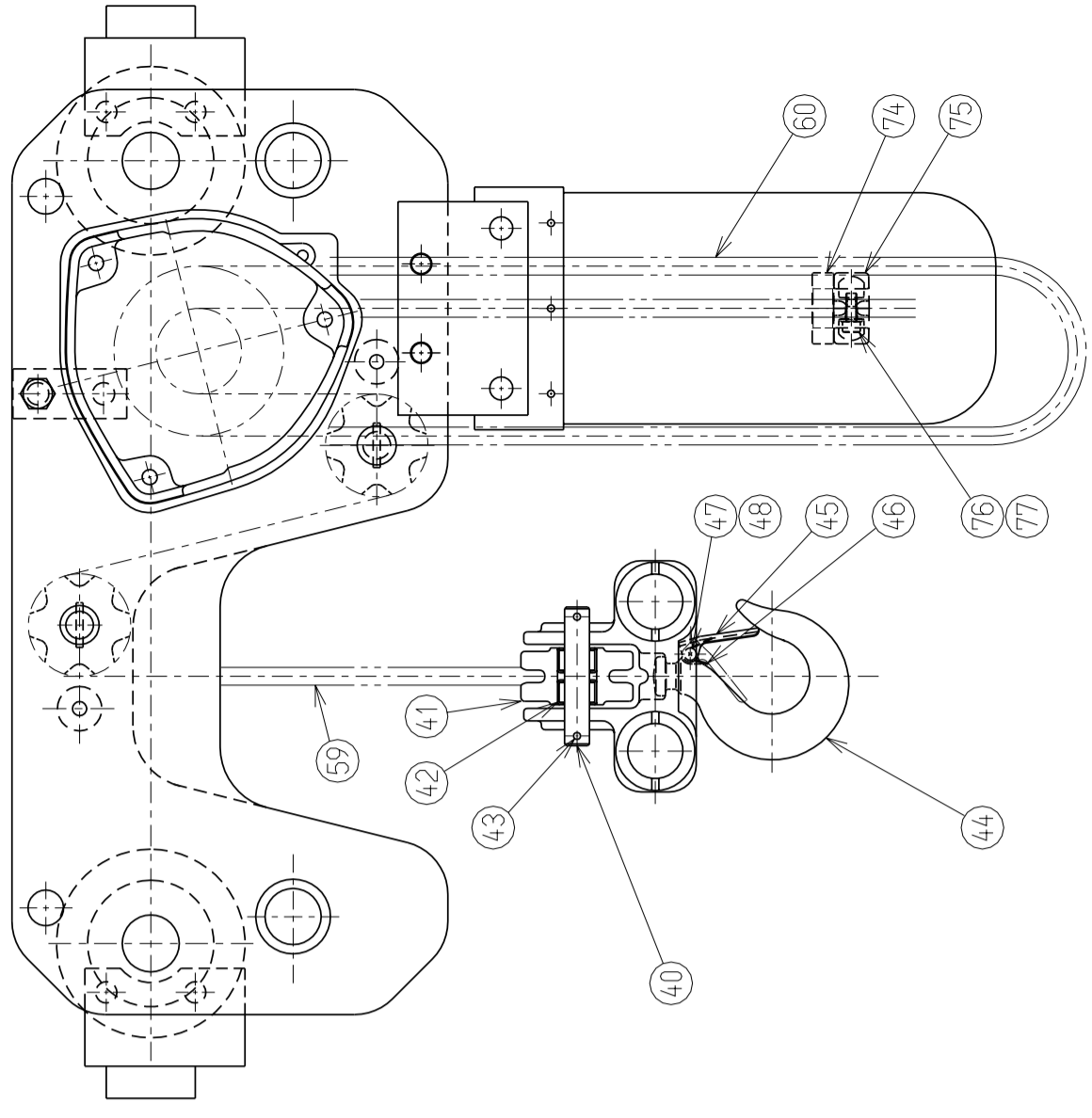
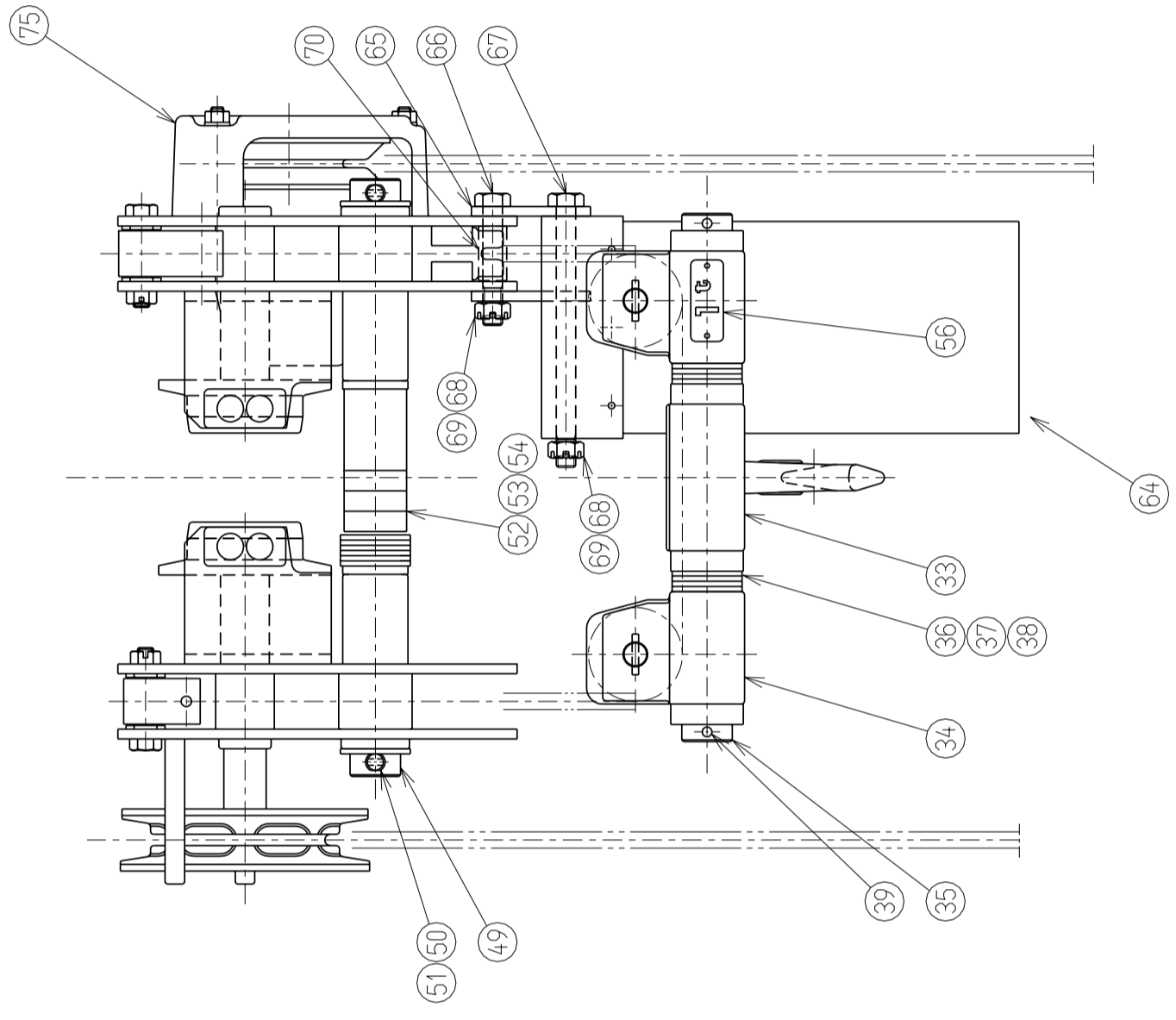
Section A



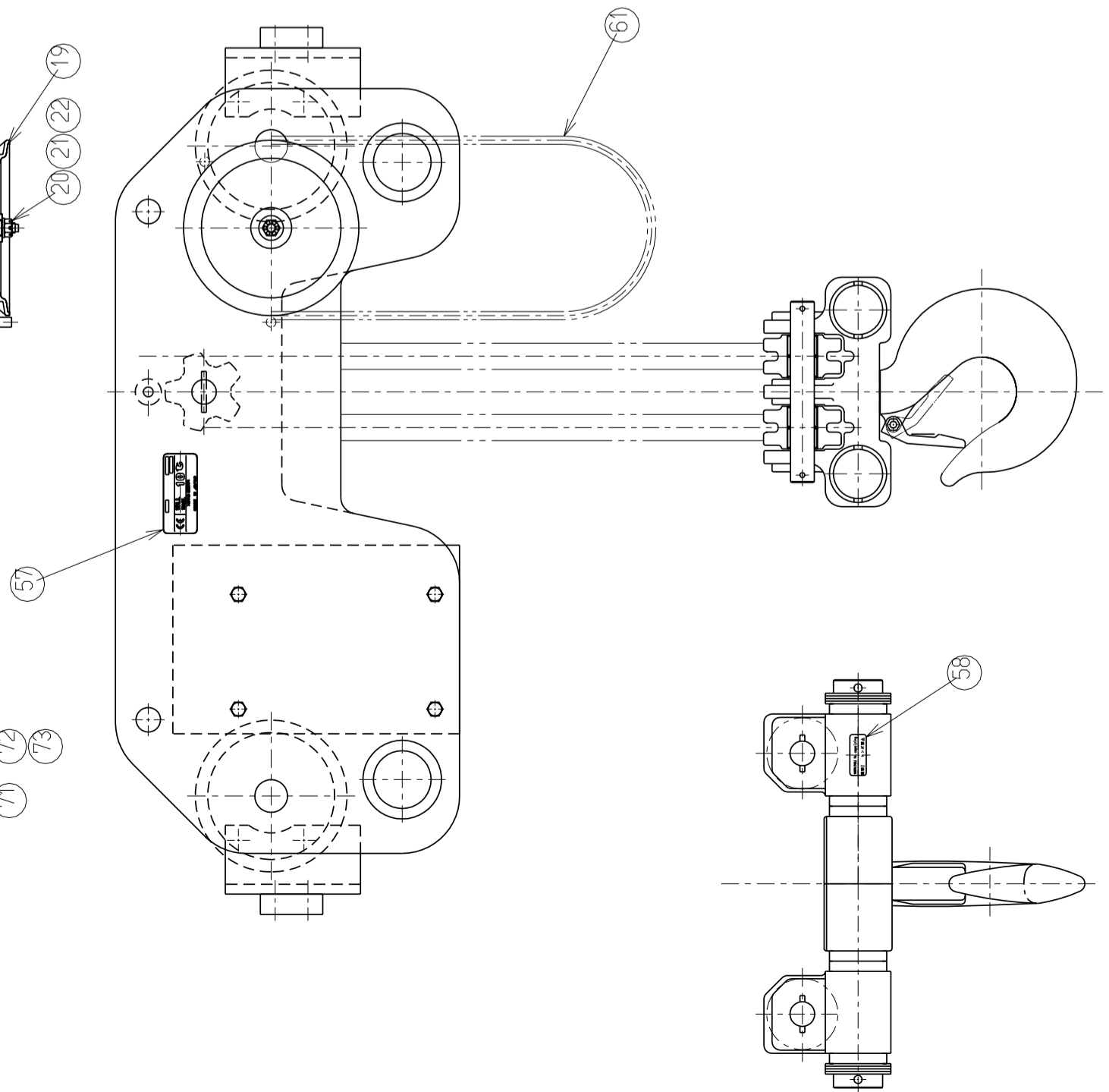
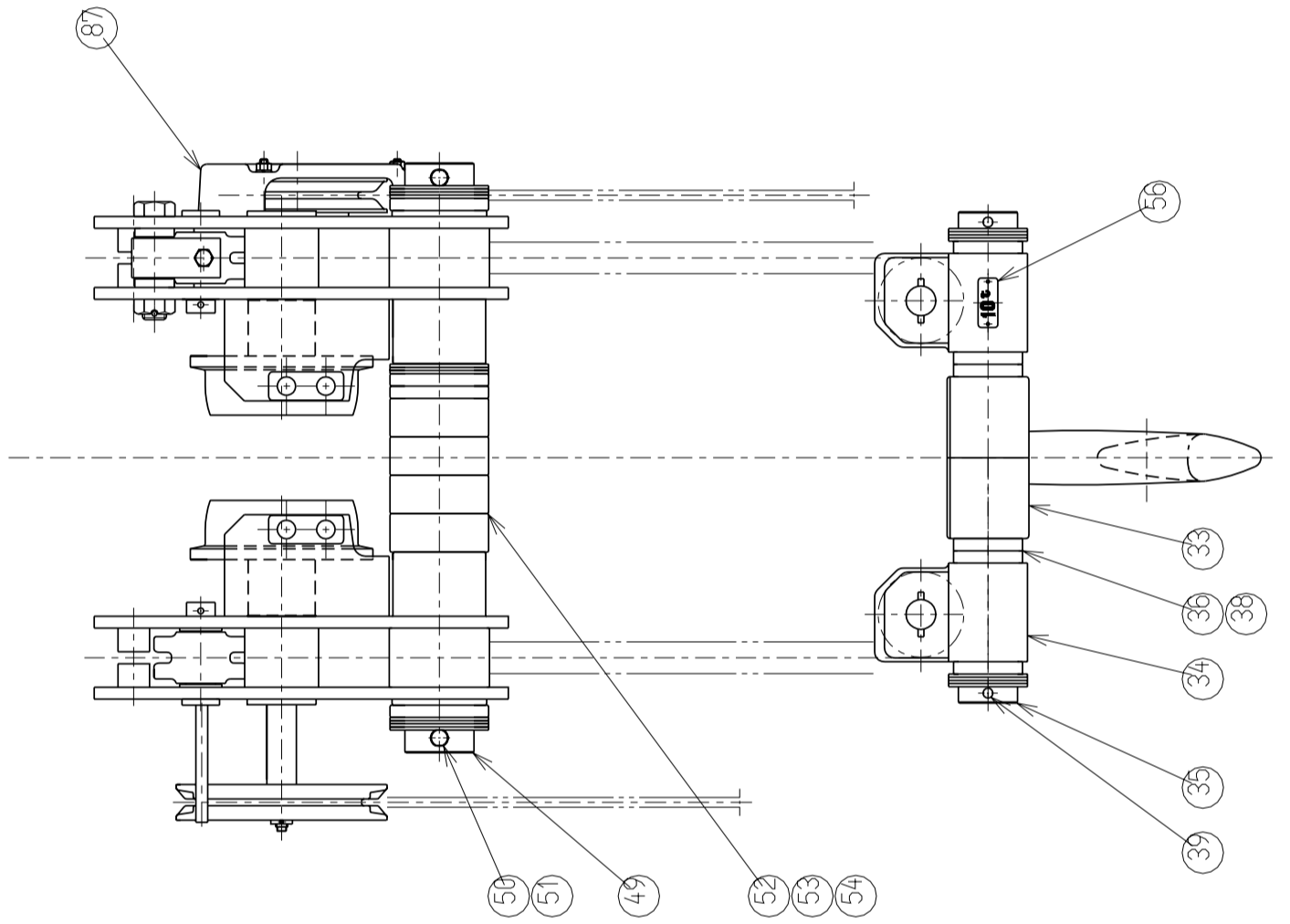
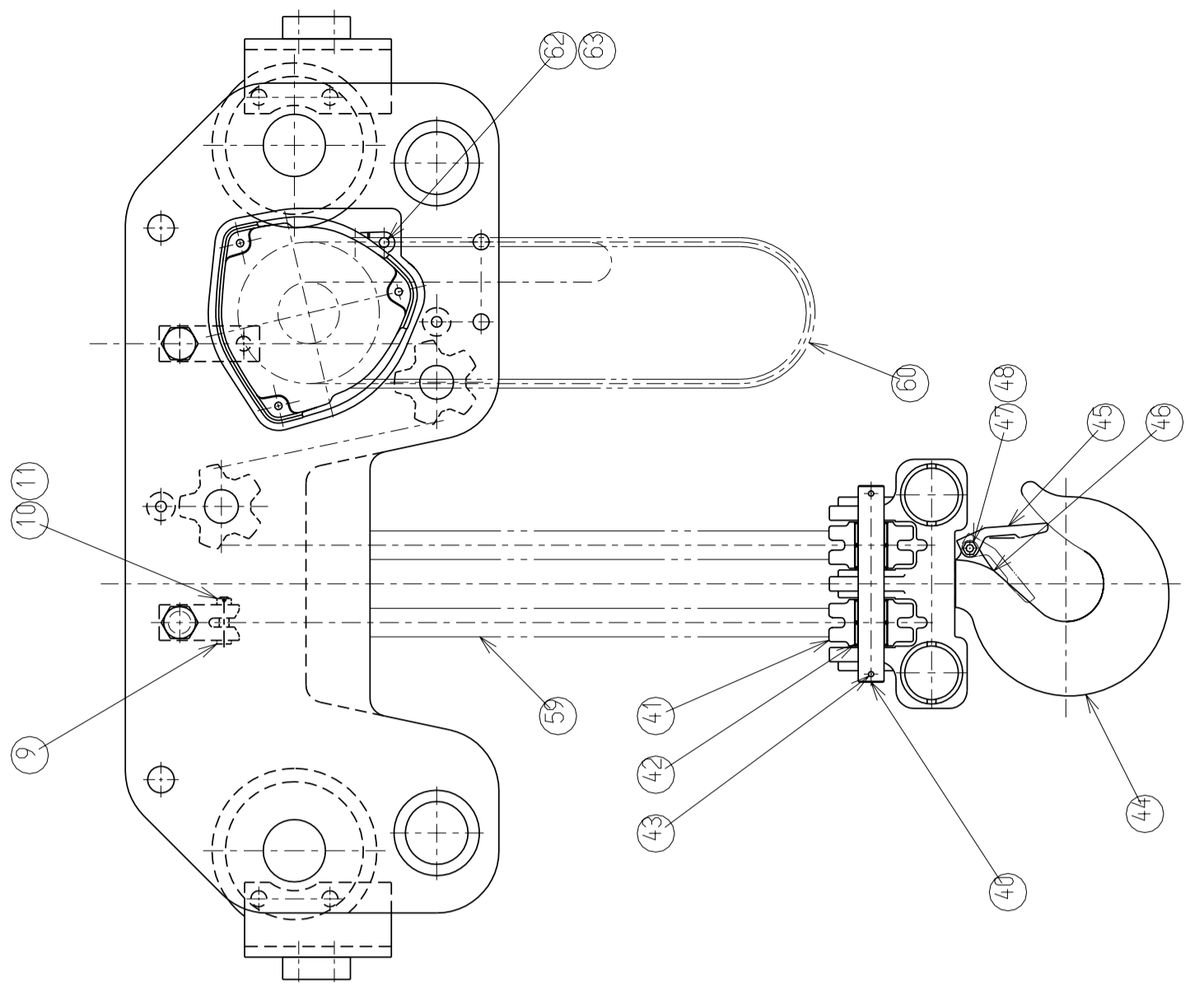
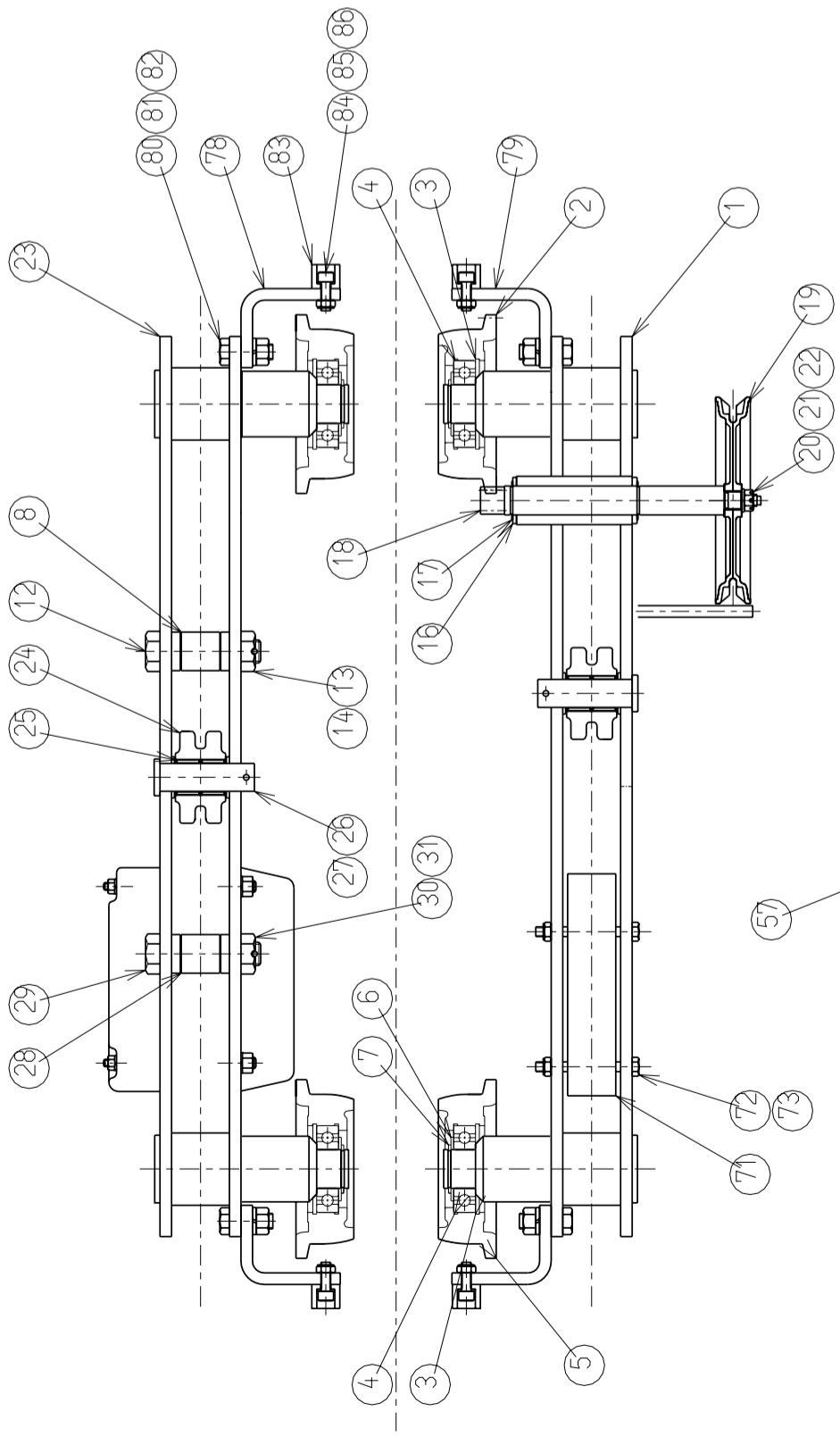
# SHB050 with chain container



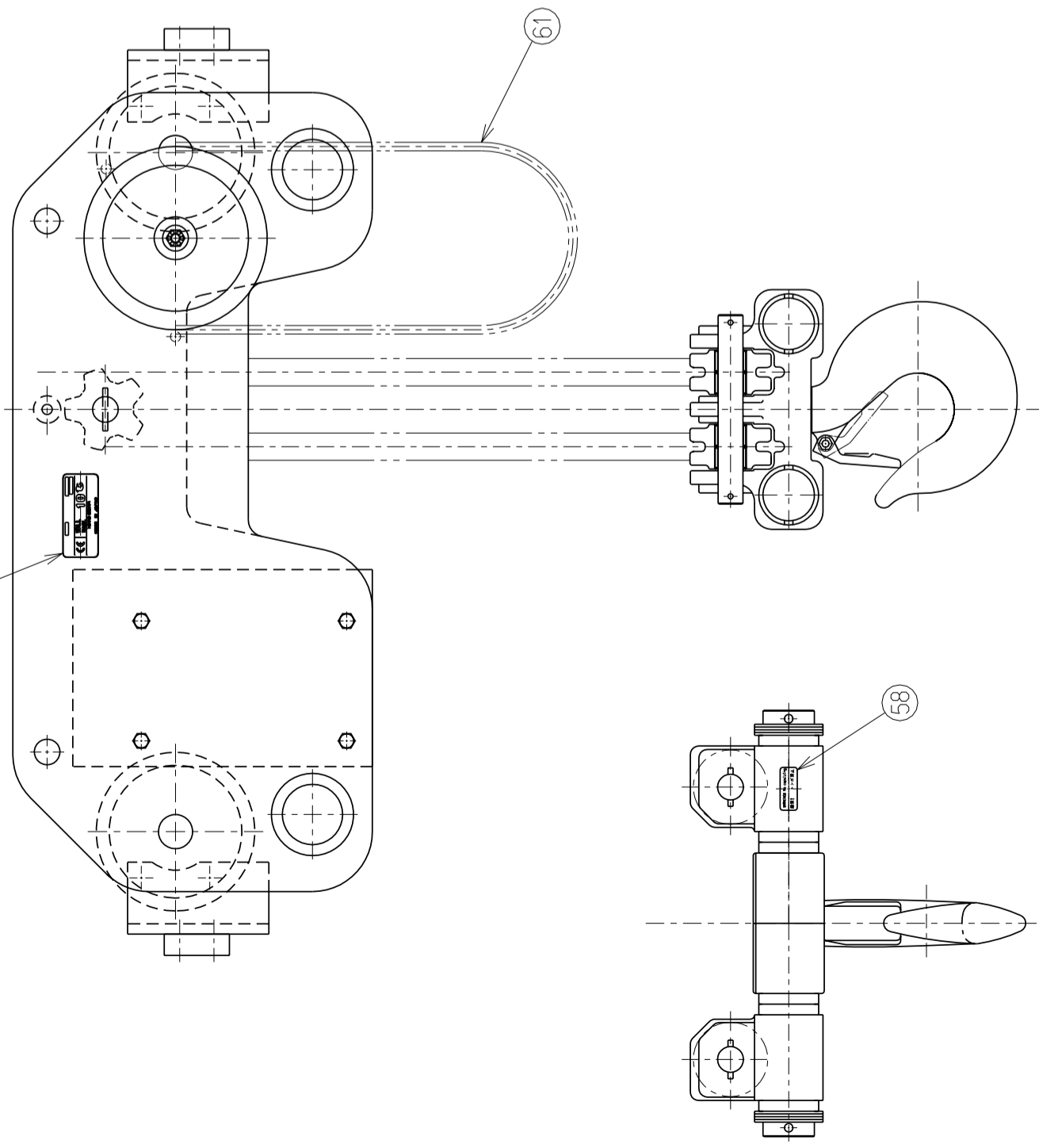
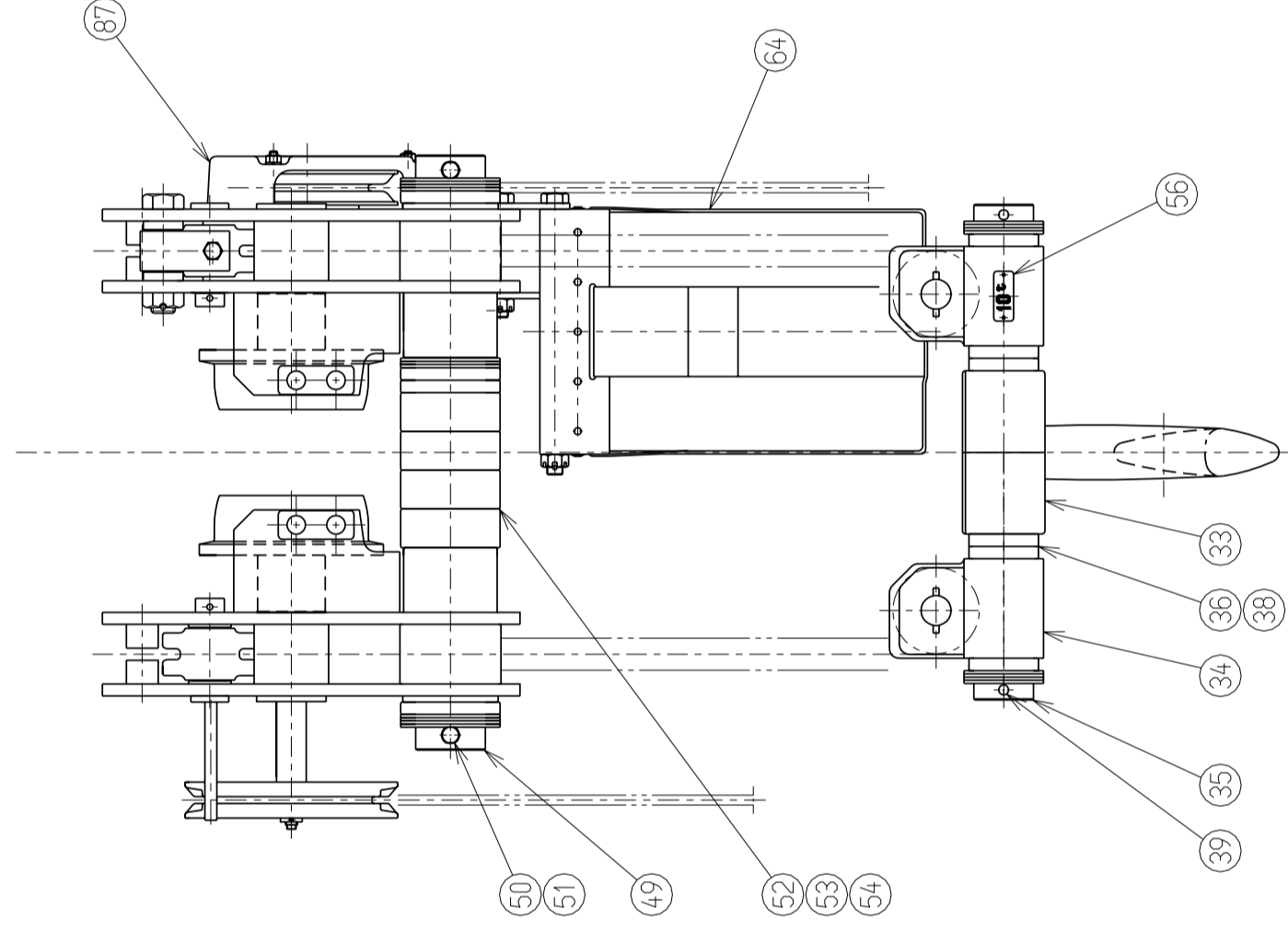
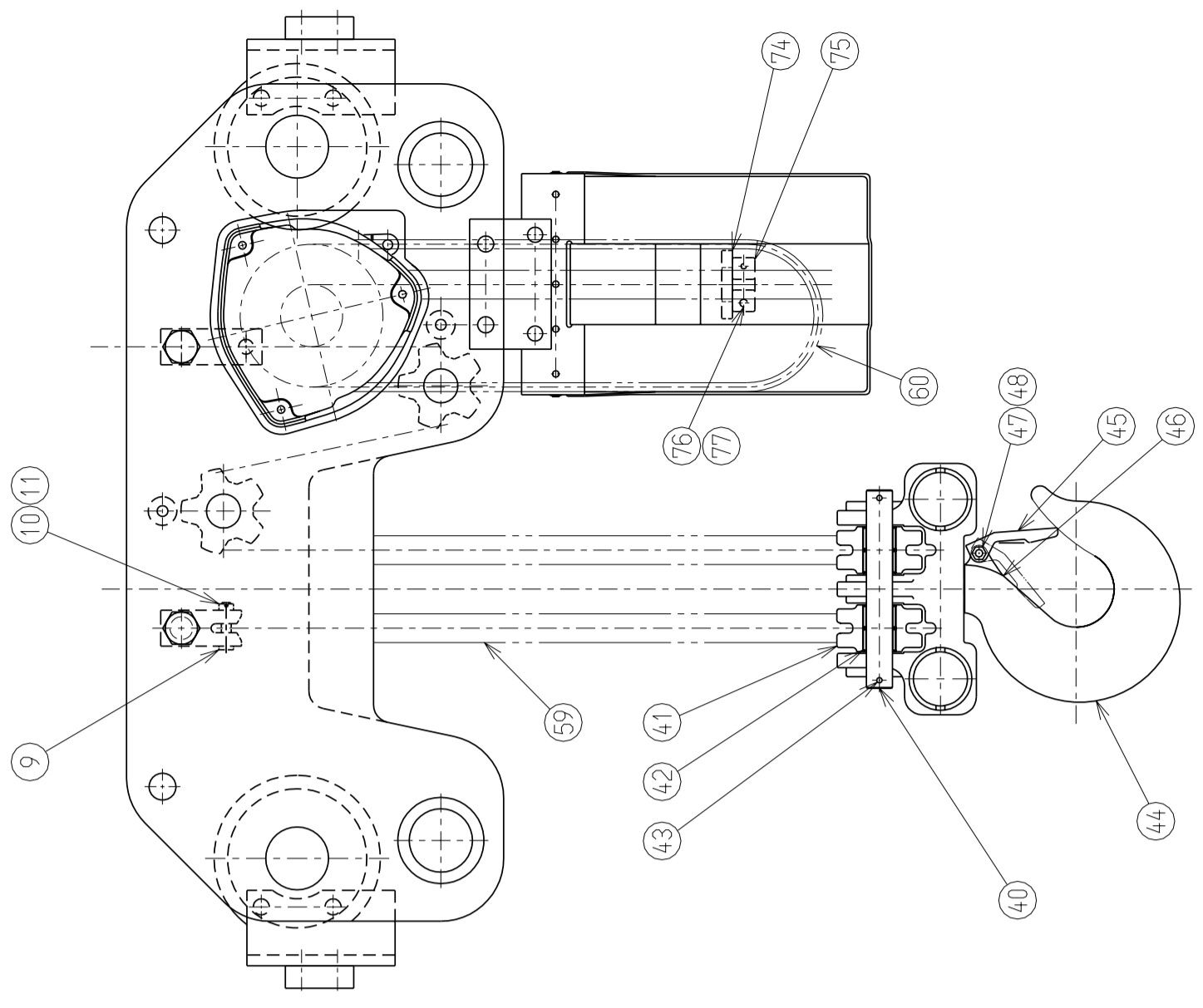
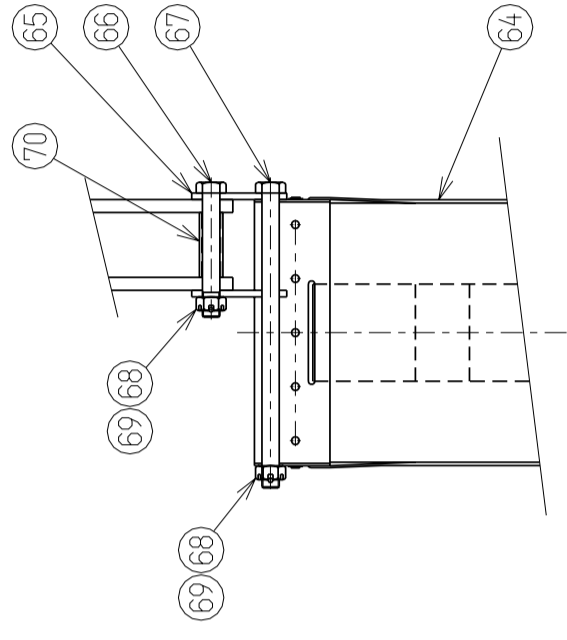
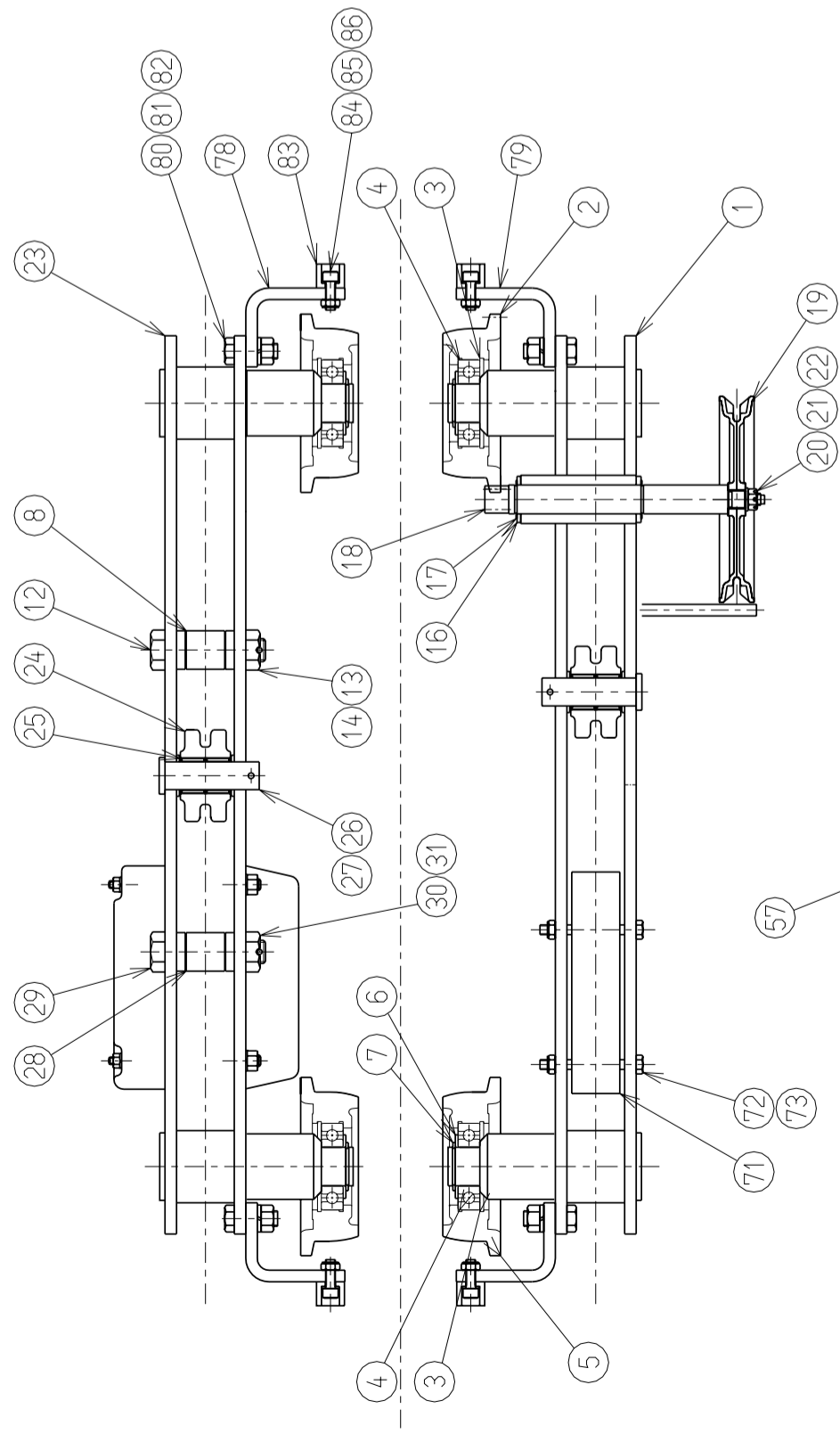
Section A



# SHB100



SHB100 with chain container



## SHB010

Fig. No.	Part name	No. per hoist	Remarks
1	Side plate G assembly	1	
2	Track wheel G	1	
3	Snap ring	4	S- 42
4	Ball bearing	4	6302ZZ
5	Track wheel S	3	
6	Track wheel washer	4	
7	Snap ring	4	S- 15
8	Connection yoke C	1	
9	Chain pin	1	
10	Spring pin	1	3x14
11	-	-	
12	Hexagon head bolt	1	
13	Slotted nut	1	L- M10
14	Split pin	1	25x25
15	-	-	
16	Plain washer	2	M24
17	Snap ring	2	S- 26
18	Pinion	1	
19	Hand wheel	1	
20	Slotted nut	1	L- M12
21	Plain washer	1	M12
22	Split pin	1	3x22
23	Side plate S assembly	1	
24	Idle sheave	2	
25	Roller bearing	4	
26	Top Idle sheave shaft	2	
27	Spring pin	2	4x25
28	Suspender C	1	
29	Hexagon head bolt	1	
30	Slotted nut	1	L- M10
31	Split pin	1	25x25
32	-	-	
33	Suspender A	2	
34	Suspender B	2	
35	Lower shaft	2	
36	Spacer	6(10)	( ) in the case of width beam
37	Fixing spacer	0(2)	( ) in the case of width beam
38	Thin spacer	15(13)	( ) in the case of width beam
39	Spring pin	4	6x45
40	Bottom Idle sheave shaft	2	
41	Idle sheave	2	
42	Roller bearing	4	
43	Spring pin	4	4x25
44	Bottom hook	1	
45	Hook latch	1	
46	Hook latch spring	1	
47	Hook latch nut	1	
48	Hook latch bolt	1	
49	Upper shaft	2	
50	Shaft stopper pin	4	
51	Split pin	4	4x20
52	Thick spacer	5(7)	( ) in the case of width beam
53	Fixing spacer	2(4)	( ) in the case of width beam

## SHB010

Fig. No.	Part name	No. per hoist	Remarks
54	Thin spacer	5(11)	( ) in the case of width beam
55	Thin spacer C	4	
56	Name plate	1	
57	Name plate B	1	
58	Name plate C	1	
59	Load chain	1	
60	Hand chain	1	for Chain hoist
61	Hand chain	1	for Geared trolley
62	Stopper pin	1	
63	Split pin	1	2x12
64	-	-	
65	-	-	
66	-	-	
67	-	-	
68	-	-	
69	-	-	
70	-	-	
71	Balancer	1	
72	Hexagon head bolt	4	M10x60x26
73	U nut	4	M10
74	-	-	
75	-	-	
76	-	-	
77	-	-	
78	Bumper L	2	
79	Bumper R	2	
80	Hexagon head bolt	8	M12x30x30
81	Spring washer	8	2- M12
82	Nut	8	1- M12
83	Buffer	4	
84	Cross recessed head screws	8	M8x25x25
85	Plain washer	8	M8 small
86	U nut	8	M8
87	Chain hoist	1	reference in a owner's manual for kito manual chain hoist



## SHB020

Fig. No.	Part name	No. per hoist	Remarks
1	Side plate G assembly	1	
2	Track wheel G	1	
3	Snap ring	4	S- 52
4	Ball bearing	4	6304Z
5	Track wheel S	3	
6	Track wheel washer	4	
7	Snap ring	4	S20
8	Connection yoke C	1	
9	Chain pin	1	
10	Spring pin	1	4x20
11	-	-	
12	Hexagon head bolt	1	
13	Slotted nut	1	L- M16
14	Split pin	1	4x32
15	-	-	
16	Plain washer	2	M24
17	Snap ring	2	S- 26
18	Pinion	1	
19	Hand wheel	1	
20	Slotted nut	1	L- M12
21	Plain washer	1	M12
22	Split pin	1	3x22
23	Side plate S assembly	1	
24	Idle sheave	2	
25	Roller bearing	4	
26	Top Idle sheave shaft	2	
27	Spring pin	2	5x32
28	Suspender C	1	
29	Hexagon head bolt	1	
30	Slotted nut	1	L- M16
31	Split pin	1	4x32
32	-	-	
33	Suspender A	2	
34	Suspender B	2	
35	Lower shaft	2	
36	Spacer	10(6)	( ) in the case of width beam
37	Fixing spacer	0(4)	( ) in the case of width beam
38	Thin spacer	12(12)	( ) in the case of width beam
39	Spring pin	4	8x50
40	Bottom Idle sheave shaft	2	
41	Idle sheave	2	
42	Roller bearing	4	
43	Spring pin	4	5x32
44	Bottom hook	1	
45	Hook latch	1	
46	Hook latch spring	1	
47	Hook latch nut	1	
48	Hook latch bolt	1	
49	Upper shaft	2	
50	Shaft stopper pin	4	
51	Split pin	4	4x20
52	Thick spacer	4(6)	( ) in the case of width beam
53	Fixing spacer	4(6)	( ) in the case of width beam

## SHB020

Fig. No.	Part name	No. per hoist	Remarks
54	Thin spacer	10(10)	( ) in the case of width beam
55	-	-	
56	Name plate	1	
57	Name plate B	1	
58	Name plate C	1	
59	Load chain	1	
60	Hand chain	1	for Chain hoist
61	Hand chain	1	for Geared trolley
62	Stopper pin	1	
63	Split pin	1	2x15
64	-	-	
65	-	-	
66	-	-	
67	-	-	
68	-	-	
69	-	-	
70	-	-	
71	Balancer	1	
72	Hexagon head bolt	4	M10x75x26
73	U nut	4	M10
74	-	-	
75	-	-	
76	-	-	
77	-	-	
78	Bumper L	2	
79	Bumper R	2	
80	Hexagon head bolt	8	M12x35x20
81	Spring washer	8	2- M12
82	Nut	8	1- M12
83	Buffer	4	
84	Cross recessed head screws	8	M8x25x25
85	Plain washer	8	M8 small
86	U nut	8	M8
87	Chain hoist	1	reference in a owner's manual for kito manual chain hoist

## SHB030

Fig. No.	Part name	No. per hoist	Remarks
1	Side plate G assembly	1	
2	Track wheel G	1	
3	Snap ring	4	S- 62
4	Ball bearing	4	63025Z
5	Track wheel S	3	
6	Track wheel washer	4	
7	Snap ring	4	S- 20
8	Connection yoke C	1	
9	Chain pin	1	
10	Spring pin	1	4x25
11	-	-	
12	Hexagon head bolt	1	
13	Slotted nut	1	L- M18
14	Split pin	1	4x40
15	-	-	
16	Plain washer	2	M24
17	Snap ring	2	S- 26
18	Pinion	1	
19	Hand wheel	1	
20	Slotted nut	1	L- M12
21	Plain washer	1	M12
22	Split pin	1	3x22
23	Side plate S assembly	1	
24	Idle sheave	2	
25	Roller bearing	4	
26	Top Idle sheave shaft	2	
27	Spring pin	2	6x36
28	Suspender C	1	
29	Hexagon head bolt	1	
30	Slotted nut	1	L- M18
31	Split pin	1	4x40
32	-	-	
33	Suspender A	2	
34	Suspender B	2	
35	Lower shaft	2	
36	Spacer	8(4)	( ) in the case of width beam
37	Fixing spacer	0(4)	( ) in the case of width beam
38	Thin spacer	12(12)	( ) in the case of width beam
39	Spring pin	4	10x63
40	Bottom Idle sheave shaft	2	
41	Idle sheave	2	
42	Roller bearing	4	
43	Spring pin	4	6x36
44	Bottom hook	1	
45	Hook latch	1	
46	Hook latch spring	1	
47	Hook latch nut	1	
48	Hook latch bolt	1	
49	Upper shaft	2	
50	Shaft stopper pin	4	
51	Split pin	4	4x22
52	Thick spacer	4(6)	( ) in the case of width beam
53	Fixing spacer	4(6)	( ) in the case of width beam

## SHB030

Fig. No.	Part name	No. per hoist	Remarks
54	Thin spacer	11(11)	( ) in the case of width beam
55	-	-	
56	Name plate	1	
57	Name plate B	1	
58	Name plate C	1	
59	Load chain	1	
60	Hand chain	1	for Chain hoist
61	Hand chain	1	for Geared trolley
62	Stopper pin	1	
63	Split pin	1	25x15
64	-	-	
65	-	-	
66	-	-	
67	-	-	
68	-	-	
69	-	-	
70	-	-	
71	Balancer	1	
72	Hexagon head bolt	4	M10x85x26
73	U nut	4	M10
74	-	-	
75	-	-	
76	-	-	
77	-	-	
78	Bumper L	2	
79	Bumper R	2	
80	Hexagon head bolt	8	M12x35x20
81	Spring washer	8	2- M12
82	Nut	8	1- M12
83	Buffer	4	
84	Cross recessed head screws	8	M8x25x25
85	Plain washer	8	M8 small
86	U nut	8	M8
87	Chain hoist	1	reference in a owner's manual for kito manual chain hoist

## SHB010 with chain container

Fig No.	Part name	No. per hoist	Remarks
1	Side plate G assembly	1	
2	Track wheel G	1	
3	Snap ring	4	S- 42
4	Ball bearing	4	6302ZZ
5	Track wheel S	3	
6	Track wheel washer	4	
7	Snap ring	4	S- 15
8	Connection yoke C	1	
9	Chain pin	1	
10	Spring pin	1	3x14
11	-	-	
12	Hexagon head bolt	1	
13	Slotted nut	1	L- M10
14	Split pin	1	2.5x25
15	-	-	
16	Plain washer	2	M24
17	Snap ring	2	S- 26
18	Pinion	1	
19	Hand wheel	1	
20	Slotted nut	1	L- M12
21	Plain washer	1	M12
22	Split pin	1	3x22
23	Side plate S assembly	1	
24	Idle sheave	2	
25	Roller bearing	4	
26	Top Idle sheave shaft	2	
27	Spring pin	2	4x25
28	Suspender C	1	
29	Hexagon head bolt	1	
30	Slotted nut	1	L- M10
31	Split pin	1	2.5x25
32	-	-	
33	Suspender A	2	
34	Suspender B	2	
35	Lower shaft	2	
36	Spacer	6(10)	( ) in the case of width beam
37	Fixing spacer	0(2)	( ) in the case of width beam
38	Thin spacer	15(13)	( ) in the case of width beam
39	Spring pin	4	6x45
40	Bottom Idle sheave shaft	2	
41	Idle sheave	2	
42	Roller bearing	4	
43	Spring pin	4	4x25
44	Bottom hook	1	
45	Hook latch	1	
46	Hook latch spring	1	
47	Hook latch nut	1	
48	Hook latch bolt	1	
49	Upper shaft	2	
50	Shaft stopper pin	4	
51	Split pin	4	4x20
52	Thick spacer	5(7)	( ) in the case of width beam
53	Fixing spacer	2(4)	( ) in the case of width beam

## SHB010 with chain container

Fig No.	Part name	No. per hoist	Remarks
54	Thin spacer	5(11)	() in the case of width beam
55	Thin spacer C	4	
56	Name plate	1	
57	Name plate B	1	
58	Name plate C	1	
59	Load chain	1	
60	Hand chain	1	for Chain hoist
61	Hand chain	1	for Geared trolley
62	-	-	
63	-	-	
64	Chain container assembly	1	
65	Container sling fitting	2	
66	Container sling fitting bolt A	2	
67	Container sling fitting bolt B	2	
68	Slotted nut	4	L- M12
69	Split pin	4	3.2x25
70	Collar	2	
71	Balancer	1	
72	Hexagon head bolt	4	M10x60x26
73	U nut	4	M10
74	Stopper collar	1	
75	Stopper	2	
76	Socket bolt	2	M6x16x16
77	Spring washer	2	2- M6
78	Bumper L	2	
79	Bumper R	2	
80	Hexagon head bolt	8	M12x30x30
81	Spring washer	8	2- M12
82	Nut	8	1- M12
83	Buffer	4	
84	Cross recessed head screws	8	MBx25x25
85	Plain washer	8	MB small
86	U nut	8	MB
87	Chain hoist	1	reference in a owner's manual for kito manual chain hoist

## SHBO20 with chain container

Fig. No.	Part name	No. per hoist	Remarks
1	Side plate G assembly	1	
2	Track wheel G	1	
3	Snap ring	4	S- 52
4	Ball bearing	4	6304ZZ
5	Track wheel S	3	
6	Track wheel washer	4	
7	Snap ring	4	S20
8	Connection yoke C	1	
9	Chain pin	1	
10	Spring pin	1	4x20
11	-	-	
12	Hexagon head bolt	1	
13	Slotted nut	1	L- M16
14	Split pin	1	4x32
15	-	-	
16	Plain washer	2	M24
17	Snap ring	2	S- 26
18	Pinion	1	
19	Hand wheel	1	
20	Slotted nut	1	L- M12
21	Plain washer	1	M12
22	Split pin	1	3x22
23	Side plate S assembly	1	
24	Idle sheave	2	
25	Roller bearing	4	
26	Top Idle sheave shaft	2	
27	Spring pin	2	5x32
28	Suspender C	1	
29	Hexagon head bolt	1	
30	Slotted nut	1	L- M16
31	Split pin	1	4x32
32	-	-	
33	Suspender A	2	
34	Suspender B	2	
35	Lower shaft	2	
36	Spacer	6(10)	( ) in the case of width beam
37	Fixing spacer	0(2)	( ) in the case of width beam
38	Thin spacer	15(13)	( ) in the case of width beam
39	Spring pin	4	8x50
40	Bottom Idle sheave shaft	2	
41	Idle sheave	2	
42	Roller bearing	4	
43	Spring pin	4	5x32
44	Bottom hook	1	
45	Hook latch	1	
46	Hook latch spring	1	
47	Hook latch nut	1	
48	Hook latch bolt	1	
49	Upper shaft	2	
50	Shaft stopper pin	4	
51	Split pin	4	4x20
52	Thick spacer	4(6)	( ) in the case of width beam
53	Fixing spacer	4(6)	( ) in the case of width beam

## SHB020 with chain container

Fig. No.	Part name	No. per hoist	Remarks
54	Thin spacer	10(10)	( ) in the case of width beam
55	-	-	
56	Name plate	1	
57	Name plate B	1	
58	Name plate C	1	
59	Load chain	1	
60	Hand chain	1	for Chain hoist
61	Hand chain	1	for Geared trolley
62	-	-	
63	-	-	
64	Chain container assembly	1	
65	Container sling fitting	2	
66	Container sling fitting bolt A	2	
67	Container sling fitting bolt B	2	
68	Slotted nut	4	L- M12
69	Split pin	4	3.2x25
70	Collar	2	
71	Balancer	1	
72	Hexagon head bolt	4	M10x75x26
73	U nut	4	M10
74	Stopper collar	1	
75	Stopper	2	
76	Socket bolt	2	M6x25x25
77	Spring washer	2	2- M6
78	Bumper L	2	
79	Bumper R	2	
80	Hexagon head bolt	8	M12x35x20
81	Spring washer	8	2- M12
82	Nut	8	1- M12
83	Buffer	4	
84	Cross recessed head screws	8	M8x25x25
85	Plain washer	8	M8 small
86	U nut	8	M8
87	Chain hoist	1	reference in a owner's manual for kito manual chain hoist



## SHB030 with chain container

Fig. No.	Part name	No. per hoist	Remarks
1	Side plate G assembly	1	
2	Track wheel G	1	
3	Snap ring	4	S- 62
4	Ball bearing	4	63025Z
5	Track wheel S	3	
6	Track wheel washer	4	
7	Snap ring	4	S- 20
8	Connection yoke C	1	
9	Chain pin	1	
10	Spring pin	1	4x25
11	-	-	
12	Hexagon head bolt	1	
13	Slotted nut	1	L- M18
14	Split pin	1	4x40
15	-	-	
16	Plain washer	2	M24
17	Snap ring	2	S- 26
18	Pinion	1	
19	Hand wheel	1	
20	Slotted nut	1	L- M12
21	Plain washer	1	M12
22	Split pin	1	3x22
23	Side plate S assembly	1	
24	Idle sheave	2	
25	Roller bearing	4	
26	Top Idle sheave shaft	2	
27	Spring pin	2	6x36
28	Suspender C	1	
29	Hexagon head bolt	1	
30	Slotted nut	1	L- M18
31	Split pin	1	4x40
32	-	-	
33	Suspender A	2	
34	Suspender B	2	
35	Lower shaft	2	
36	Spacer	6(10)	( ) in the case of width beam
37	Fixing spacer	0(2)	( ) in the case of width beam
38	Thin spacer	15(13)	( ) in the case of width beam
39	Spring pin	4	10x63
40	Bottom Idle sheave shaft	2	
41	Idle sheave	2	
42	Roller bearing	4	
43	Spring pin	4	6x36
44	Bottom hook	1	
45	Hook latch	1	
46	Hook latch spring	1	
47	Hook latch nut	1	
48	Hook latch bolt	1	
49	Upper shaft	2	
50	Shaft stopper pin	4	
51	Split pin	4	4x22
52	Thick spacer	4(6)	( ) in the case of width beam
53	Fixing spacer	4(6)	( ) in the case of width beam

## SHB030 with chain container

Fig. No.	Part name	No. per hoist	Remarks
54	Thin spacer	11(11)	( ) in the case of width beam
55	-	-	
56	Name plate	1	
57	Name plate B	1	
58	Name plate C	1	
59	Load chain	1	
60	Hand chain	1	for Chain hoist
61	Hand chain	1	for Geared trolley
62	-	-	
63	-	-	
64	Chain container assembly	1	
65	Container sling fitting	2	
66	Container sling fitting bolt A	2	
67	Container sling fitting bolt B	2	
68	Slotted nut	4	L- M12
69	Split pin	4	3.2x25
70	Collar	2	
71	Balancer	1	
72	Hexagon head bolt	4	M10x85x26
73	U nut	4	M10
74	Stopper collar	1	
75	Stopper	2	
76	Socket bolt	2	M6x25x25
77	Spring washer	2	2- M6
78	Bumper L	2	
79	Bumper R	2	
80	Hexagon head bolt	8	M12x35x20
81	Spring washer	8	2- M12
82	Nut	8	1- M12
83	Buffer	4	
84	Cross recessed head screws	8	M8x25x25
85	Plain washer	8	M8 small
86	U nut	8	M8
87	Chain hoist	1	reference in a owner's manual for kito manual chain hoist

## SHB050

Fig. No.	Part name	No. per hoist	Remarks
1	Side plate G assembly	1	
2	Track wheel G	1	
3	Snap ring	4	S- 80
4	Ball bearing	4	6307ZZ
5	Track wheel S	3	
6	Track wheel washer	4	
7	Snap ring	4	S- 35
8	Connection yoke C	1	
9	Chain pin	1	
10	Slotted nut	1	L- M10
11	Split pin	1	2x14
12	Hexagon head bolt	1	
13	Slotted nut	1	L- M24
14	Split pin	1	5x45
15	Plain washer	1	M24
16	Plain washer	2	M24
17	Snap ring	2	S- 26
18	Pinion	1	
19	Hand wheel	1	
20	Slotted nut	1	L- M12
21	Plain washer	1	M12
22	Split pin	1	3x22
23	Side plate S assembly	1	
24	Idle sheave	2	
25	Roller bearing	4	
26	Top Idle sheave shaft	2	
27	Spring pin	2	6x45
28	Suspender C	1	
29	Hexagon head bolt	1	
30	Slotted nut	1	L- M24
31	Split pin	1	5x45
32	Plain washer	1	M24
33	Suspender A	2	
34	Suspender B	2	
35	Lower shaft	2	
36	Spacer	4(12)	( ) in the case of width beam
37	Fixing spacer	0(0)	( ) in the case of width beam
38	Thin spacer	11(11)	( ) in the case of width beam
39	Spring pin	4	10x70
40	Bottom Idle sheave shaft	2	
41	Idle sheave	2	
42	Roller bearing	4	
43	Spring pin	4	6x50
44	Bottom hook	1	
45	Hook latch	1	
46	Hook latch spring	1	
47	Hook latch nut	1	
48	Hook latch bolt	1	
49	Upper shaft	2	
50	Shaft stopper pin	4	
51	Split pin	4	4x22
52	Thick spacer	17(25)	( ) in the case of width beam
53	Fixing spacer	0(0)	( ) in the case of width beam

## SHB050

Fig. No.	Part name	No. per hoist	Remarks
54	Thin spacer	9(9)	( ) in the case of width beam
55	-	-	
56	Name plate	1	
57	Name plate B	1	
58	Name plate C	1	
59	Load chain	1	
60	Hand chain	1	for Chain hoist
61	Hand chain	1	for Geared trolley
62	Stopper pin	1	
63	Split pin	1	25x18
64	-	-	
65	-	-	
66	-	-	
67	-	-	
68	-	-	
69	-	-	
70	-	-	
71	Balancer	1	
72	Hexagon head bolt	4	M10x100x26
73	U nut	4	M10
74	-	-	
75	-	-	
76	-	-	
77	-	-	
78	Bumper L	2	
79	Bumper R	2	
80	Hexagon head bolt	8	M16x40x40
81	Spring washer	8	2- M16
82	Nut	8	1- M16
83	Buffer	4	
84	Hexagon socket head cap screw	8	M10x30x30
85	Plain washer	8	M10 small
86	U nut	8	M10
87	Chain hoist	1	reference in a owner's manual for kito manual chain hoist

## SHB050 with chain container

Fig. No.	Part name	No. per hoist	Remarks
1	Side plate G assembly	1	
2	Track wheel G	1	
3	Snap ring	4	S- 42
4	Ball bearing	4	6302ZZ
5	Track wheel S	3	
6	Track wheel washer	4	
7	Snap ring	4	S- 35
8	Connection yoke C	1	
9	Chain pin	1	
10	Slotted nut	1	L-M10
11	Split pin	1	2x14
12	Hexagon head bolt	1	
13	Slotted nut	1	L-M24
14	Split pin	1	5x45
15	Plain washer	1	M24
16	Plain washer	2	M24
17	Snap ring	2	S- 26
18	Pinion	1	
19	Hand wheel	1	
20	Slotted nut	1	L-M12
21	Plain washer	1	M12
22	Split pin	1	3x22
23	Side plate S assembly	1	
24	Idle sheave	2	
25	Roller bearing	4	
26	Top Idle sheave shaft	2	
27	Spring pin	2	6x45
28	Suspender C	1	
29	Hexagon head bolt	1	
30	Slotted nut	1	L-M24
31	Split pin	1	5x45
32	Plain washer	1	M24
33	Suspender A	2	
34	Suspender B	2	
35	Lower shaft	2	
36	Spacer	4(12)	( ) in the case of width beam
37	Fixing spacer	0(0)	( ) in the case of width beam
38	Thin spacer	11(11)	( ) in the case of width beam
39	Spring pin	4	10x70
40	Bottom Idle sheave shaft	2	
41	Idle sheave	2	
42	Roller bearing	4	
43	Spring pin	4	6x50
44	Bottom hook	1	
45	Hook latch	1	
46	Hook latch spring	1	
47	Hook latch nut	1	
48	Hook latch bolt	1	
49	Upper shaft	2	
50	Shaft stopper pin	4	
51	Split pin	4	4x22
52	Thick spacer	17(25)	( ) in the case of width beam
53	Fixing spacer	0(0)	( ) in the case of width beam

## SHB050 with chain container

Fig. No.	Part name	No. per hoist	Remarks
54	Thin spacer	9(9)	( ) in the case of width beam
55	-	-	
56	Name plate	1	
57	Name plate B	1	
58	Name plate C	1	
59	Load chain	1	
60	Hand chain	1	for Chain hoist
61	Hand chain	1	for Geared trolley
62	-	-	
63	-	-	
64	Chain container assembly	1	
65	Container sling fitting	2	
66	Container sling fitting bolt A	2	
67	Container sling fitting bolt B	2	
68	Slotted nut	4	L-M16
69	Split pin	4	4x32
70	Collar	2	
71	Balancer	1	
72	Hexagon head bolt	4	M10x100x26
73	U nut	4	M10
74	Stopper collar	1	
75	Stopper	2	
76	Socket bolt	2	M8x25x25
77	Spring washer	2	2-M8
78	Bumper L	2	
79	Bumper R	2	
80	Hexagon head bolt	8	M16x40x40
81	Spring washer	8	2-M16
82	Nut	8	1-M16
83	Buffer	4	
84	Hexagon socket head cap screw	8	M10x30x30
85	Plain washer	8	M10 small
86	U nut	8	M10
87	Chain hoist	1	reference in a owner's manual for kito manual chain hoist

## SHB100 with chain container

Fig No.	Part name	No. per hoist	Remarks
1	Side plate G assembly	1	
2	Track wheel G	1	
3	Snap ring	4	S- 90
4	Ball bearing	4	6308ZZ
5	Track wheel S	3	
6	Track wheel washer	4	
7	Snap ring	4	S- 40
8	Connection yoke C	1	
9	Chain pin	1	
10	Slotted nut	1	L- M10
11	Split pin	1	2x14
12	Hexagon head bolt	1	
13	Slotted nut	1	L- M24
14	Split pin	1	5x45
15	-	-	
16	Plain washer	2	M24
17	Snap ring	2	S- 26
18	Pinion	1	
19	Hand wheel	1	
20	Slotted nut	1	L- M12
21	Plain washer	1	M12
22	Split pin	1	3x22
23	Side plate S assembly	1	
24	Idle sheave	2	
25	Roller bearing	4	
26	Top Idle sheave shaft	2	
27	Spring pin	2	6x45
28	Suspender C	1	
29	Hexagon head bolt	1	
30	Slotted nut	1	L- M24
31	Split pin	1	5x45
32	-	-	
33	Suspender A	2	
34	Suspender B	2	
35	Lower shaft	2	
36	Spacer	4(12)	( ) in the case of width beam
37	Fixing spacer	0(0)	( ) in the case of width beam
38	Thin spacer	16(11)	( ) in the case of width beam
39	Spring pin	4	10x80
40	Bottom Idle sheave shaft	2	
41	Idle sheave	2	
42	Roller bearing	4	
43	Spring pin	4	6x50
44	Bottom hook	1	
45	Hook latch	1	
46	Hook latch spring	1	
47	Hook latch nut	1	
48	Hook latch bolt	1	
49	Upper shaft	2	
50	Shaft stopper pin	4	
51	Split pin	4	4x28
52	Thick spacer	7(5)	( ) in the case of width beam
53	Fixing spacer	3(6)	( ) in the case of width beam

## SHB100 with chain container

Fig No.	Part name	No. per hoist	Remarks
54	Thin spacer	11(9)	( ) in the case of width beam
55	-	-	
56	Name plate	1	
57	Name plate B	1	
58	Name plate C	1	
59	Load chain	1	
60	Hand chain	1	for Chain hoist
61	Hand chain	1	for Geared trolley
62	Stopper pin	1	
63	Split pin	1	25x18
64	-	-	
65	-	-	
66	-	-	
67	-	-	
68	-	-	
69	-	-	
70	-	-	
71	Balancer	1	
72	Hexagpn head bolt	4	M10x100x26
73	U nut	4	M10
74	-	-	
75	-	-	
76	-	-	
77	-	-	
78	Bumper L	2	
79	Bumper R	2	
80	Hexagpn head bolt	8	M16x45x45
81	Spring washer	8	2-M16
82	Nut	8	1-M16
83	Buffer	4	
84	Hexagpn socket head cap screw	8	M10x30x30
85	Plain washer	8	M10 small
86	U nut	8	M10
87	Chain hoist	1	reference in a owner's manual for kito manual chain hoist



## SHB100 with chain container

Fig No.	Part name	No. per hoist	Remarks
1	Side plate G assembly	1	
2	Track wheel G	1	
3	Snap ring	4	S- 90
4	Ball bearing	4	6308ZZ
5	Track wheel S	3	
6	Track wheel washer	4	
7	Snap ring	4	S- 40
8	Connection yoke C	1	
9	Chain pin	1	
10	Slotted nut	1	L- M10
11	Split pin	1	2x14
12	Hexagon head bolt	1	
13	Slotted nut	1	L- M24
14	Split pin	1	5x45
15	-	-	
16	Plain washer	2	M24
17	Snap ring	2	S- 26
18	Pinion	1	
19	Hand wheel	1	
20	Slotted nut	1	L- M12
21	Plain washer	1	M12
22	Split pin	1	3x22
23	Side plate S assembly	1	
24	Idle sheave	2	
25	Roller bearing	4	
26	Top Idle sheave shaft	2	
27	Spring pin	2	6x45
28	Suspender C	1	
29	Hexagon head bolt	1	
30	Slotted nut	1	L- M24
31	Split pin	1	5x45
32	-	-	
33	Suspender A	2	
34	Suspender B	2	
35	Lower shaft	2	
36	Spacer	4(12)	( ) in the case of width beam
37	Fixing spacer	0(0)	( ) in the case of width beam
38	Thin spacer	16(11)	( ) in the case of width beam
39	Spring pin	4	10x80
40	Bottom Idle sheave shaft	2	
41	Idle sheave	2	
42	Roller bearing	4	
43	Spring pin	4	6x50
44	Bottom hook	1	
45	Hook latch	1	
46	Hook latch spring	1	
47	Hook latch nut	1	
48	Hook latch bolt	1	
49	Upper shaft	2	
50	Shaft stopper pin	4	
51	Split pin	4	4x28
52	Thick spacer	7(5)	( ) in the case of width beam
53	Fixing spacer	3(6)	( ) in the case of width beam

## SHB100 with chain container

Fig No.	Part name	No. per hoist	Remarks
54	Thin spacer	11(9)	( ) in the case of width beam
55	-	-	
56	Name plate	1	
57	Name plate B	1	
58	Name plate C	1	
59	Load chain	1	
60	Hand chain	1	for Chain hoist
61	Hand chain	1	for Geared trolley
62	-	-	
63	-	-	
64	Chain container assembly	1	
65	Container sling fitting	2	
66	Container sling fitting bolt A	2	
67	Container sling fitting bolt B	2	
68	Slotted nut	4	L-M16
69	Split pin	4	4x32
70	Collar	2	
71	Balancer	1	
72	Hexagon head bolt	4	M10x100x26
73	U nut	4	M10
74	Stopper collar	1	
75	Stopper	2	
76	Socket bolt	2	MBx25x25
77	Spring washer	2	2-MB
78	Bumper L	2	
79	Bumper R	2	
80	Hexagon head bolt	8	M16x45x45
81	Spring washer	8	2-M16
82	Nut	8	1-M16
83	Buffer	4	
84	Hexagon socket head cap screw	8	M10x30x30
85	Plain washer	8	M10 small
86	U nut	8	M10
87	Chain hoist	1	reference in a owner's manual for kito manual chain hoist