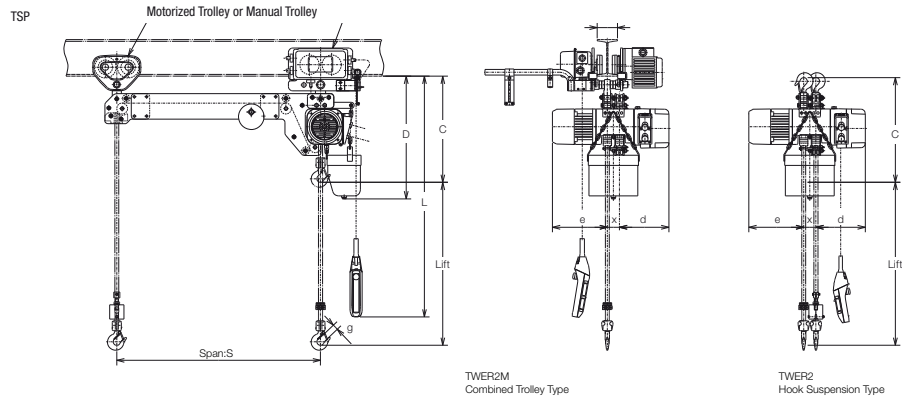




# TWER2M Twin Hook Electric Chain Hoist



## Technical Specifications

Capacity (t)	Product Code	ER2						Trolley						Test Load (t)			
		Hoist Body	Lifting Speed		Lifting Speed* (m/min)		Load Chain		Traversing Motor		Traversing Speed		Flange Width: B (mm)				
					50 Hz		Diameter (mm) x Chain-Falls	Output (kW)	Rating (%ED)	50Hz		Standard	Option W30 (305 mm)				
			Output (kW)	Rating (%ED)	High	Low				High	Low						
125 kg + 125 kg	TWER2M003IS-IS	C	0,56	40/20	Preset	10,8	1,8	6,0 x 2	0,4	27/13	Standard Adjustable	24	4	2,4	58 to 153	164 to 305	156 kg x 2
250 kg + 250 kg	TWER2M005IS-IS				Adjustable	8,5	0,9										0,7
500 kg + 500 kg	TWER2M010IS-IS	D	0,9	40/20	Preset	8,2	1,4	7,7 x 2	0,4	27/13	Standard Adjustable	24	4	2,4	82 to 204	204 to 305	625 kg x 2
1,0 + 1,0	TWER2M020IS-IS	E	1,8		Adjustable	8,2	0,7										10,2 x 2
1,6 + 1,6	TWER2M032IS-IS			F	3,5	40/20	Preset	5,2	0,9	10,2 x 4	0,75	27/13	Standard Adjustable	24	4	2,4	100 to 204
2,5 + 2,5	TWER2M050IS-IS	Adjustable	3,3				0,3	11,2 x 4	2,0								

\* The high speed is preset to the maximum speed at the KITO factory. The speeds are adjustable between High and Low. Just for straight beams. Curved beams on request. The exact net weight depends on the hook space. The maximum lifting height is 8m. Special lifting heights on request. The maximum space between the 2 hooks is 4m. Nonstandard on request. For further information please contact your local KITO dealer.

## Dimensions (mm)

Capacity (t)	Product Code	Min. Headroom C		D	S	d	e	g	x
		with trolley	with hook						
125 kg + 125kg	TWER2M003IS-IS						271	27	60
250 kg + 250 kg	TWER2M005IS-IS	535	525	620	Min. 510	242	268	31	71
500 kg + 500 kg	TWER2M010IS-IS	615	620	710	Min. 530	291	298	39	81
1,0 + 1,0	TWER2M020IS-IS	800	830	790	Min. 650	308	338	44	85
1,6 + 1,6	TWER2M032IS-IS	970	995	920		347	356	47	85
2,5 + 2,5	TWER2M050IS-IS	1020	1025	990		337	399		