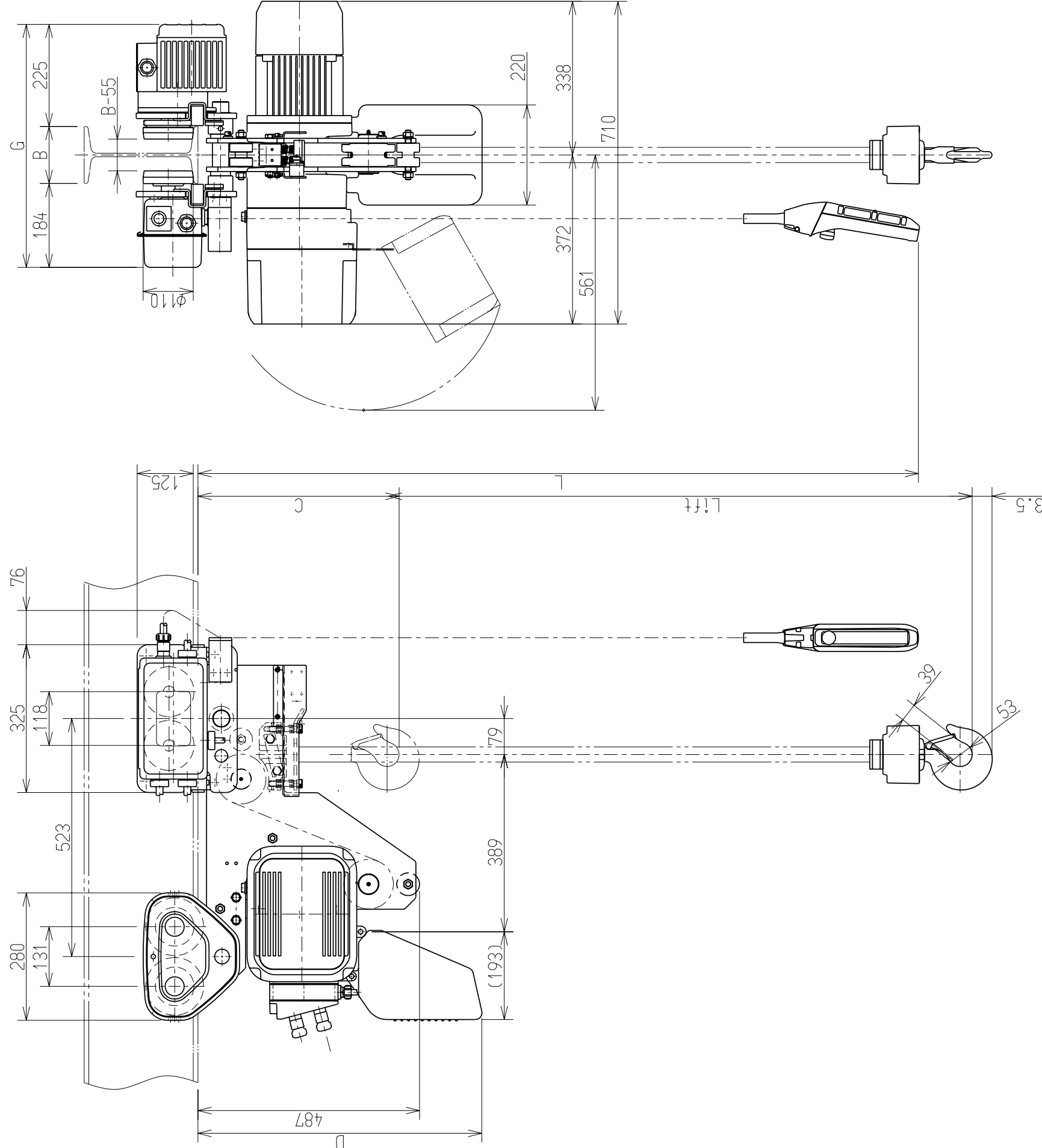


1 2 3 4 5 6 7 8 9

Particulars	
Body Size	ER-E
Capacity	2 t
Lift	4 m
Chain Size	φ10.2×1
Min. Headroom : C	445 mm
Phase • Voltage	3 • 380 V • 50 Hz
Motor Output for Lifting • Intermittent Rating	1.8 kW • 40/20%ED 0.4 kW • 27/13%ED
Lifting Speed	0.0714~0.0119 m/s (4.3~0.7 m/min)
Traversing Speed	0.400~0.0667 m/s (24~4 m/min)
Push Button Cord : L	- m
Length of Power Supply Cable (Number of Hangers)	- m (-)
Chain Container Distance from Bottom of Beam : D	640 mm
Flange Width : B	- mm 125 mm 150 mm
Min. Radius for Curve	- mm - mm
Max. Dimension of Trolley Width : G	- mm 534 mm 559 mm
Mass	Approx 165 kg
Painting Color	Munsell 7.5YR7/14 Munsell 6YR6/14
1. Short Head Room Type	



TITLE	APPROVED	CHECKED	DRAWN
2t ER2M SERIES ELECTRIC CHAIN HOIST WITH MOTORIZED TROLLEY	H.Saito	K.Chia	A.Saito
DWG. NO. SHER2M020IL-P	Jan.23.09	Jan.23.09	Jan.23.09

REV. QTY	CONTENTS	DATE	DRAWN	APPROVED

SCALE	REV.	UNIT
1/10	0	mm