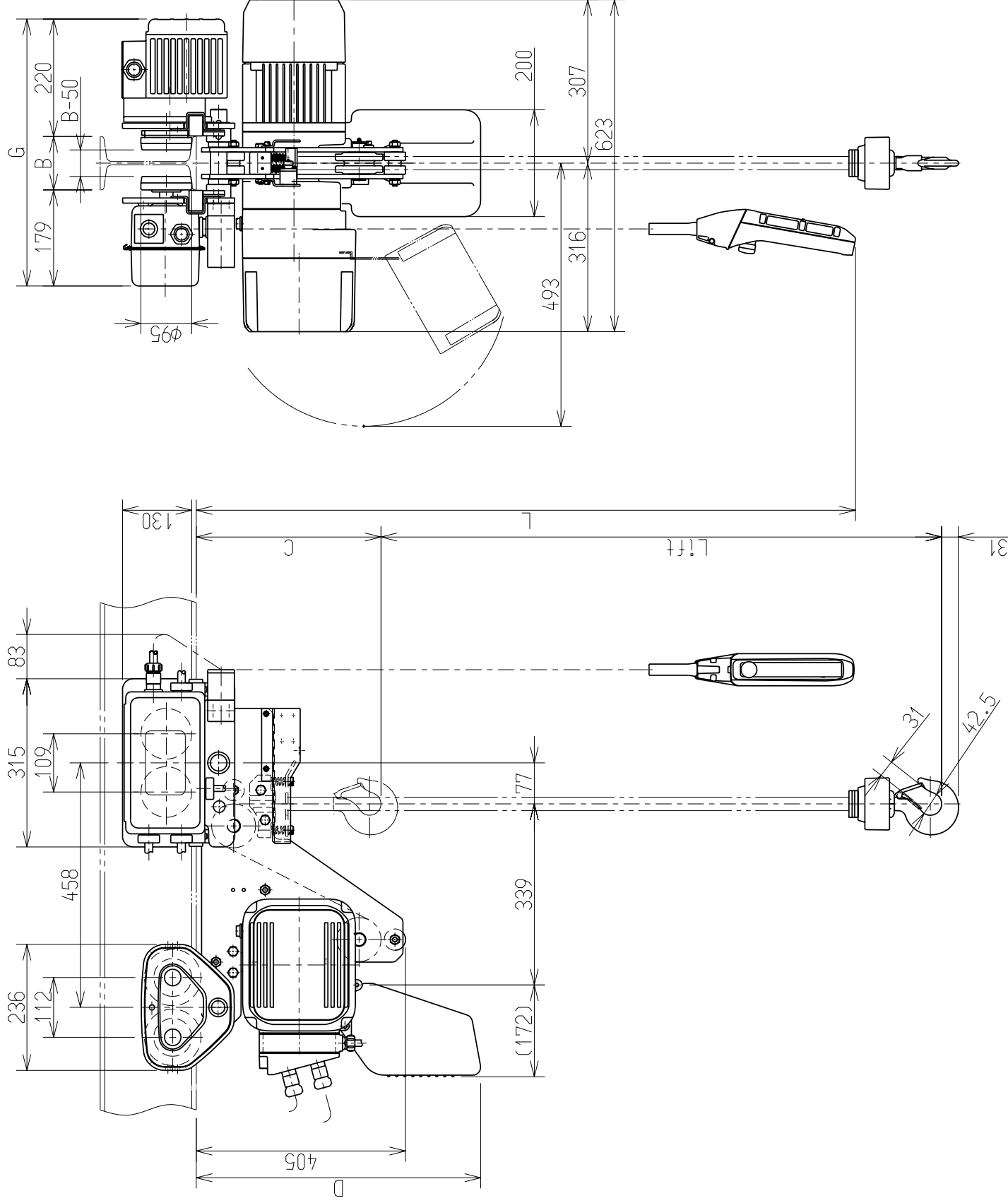


1 2 3 4 5 6 7 8 9

Particulars

Body Size	ER-D
Capacity	1 t
Lift	6 m
Chain Size	φ7.7×1
Min. Headroom : C	345 mm
Phase · Voltage	3 · 380 V · 50 Hz
Motor Output for Lifting	1.8 kW · 40/20%ED
· Intermittent Rating for Traversing	0.4 kW · 27/13%ED
Lifting Speed	0.137~0.0228 m/s (8.2~1.4 m/min)
Traversing Speed	0.400~0.0667 m/s (24~4 m/min)
Push Button Cord : L	- m
Length of Power Supply Cable (Number of Hangers)	- m (-)
Chain Container Distance from Bottom of Beam : D	540 mm
Flange Width : B	- mm
Min. Radius for Curve	- mm
Max. Dimension of Trolley Width : G	499 mm
Mass	Approx 125 kg
Painting Color	Munsell 7.5YR7/14 Munsell 6YR6/14

1. Short Head Room Type



APPROVED	CHECKED	DRAWN	TITLE
H.Saito	K.Chia	A.Saito	1t ER2M SERIES ELECTRIC CHAIN HOIST WITH MOTORIZED TROLLEY
Jan.23.09	Jan.23.09	Jan.23.09	DWG. NO. SHER2M010IS-P
DATE		DRAWN	APPROVED
REV. QTY		C O N T E N T S	
		SCALE 1/10	
		REV. 0	

KITO CORPORATION