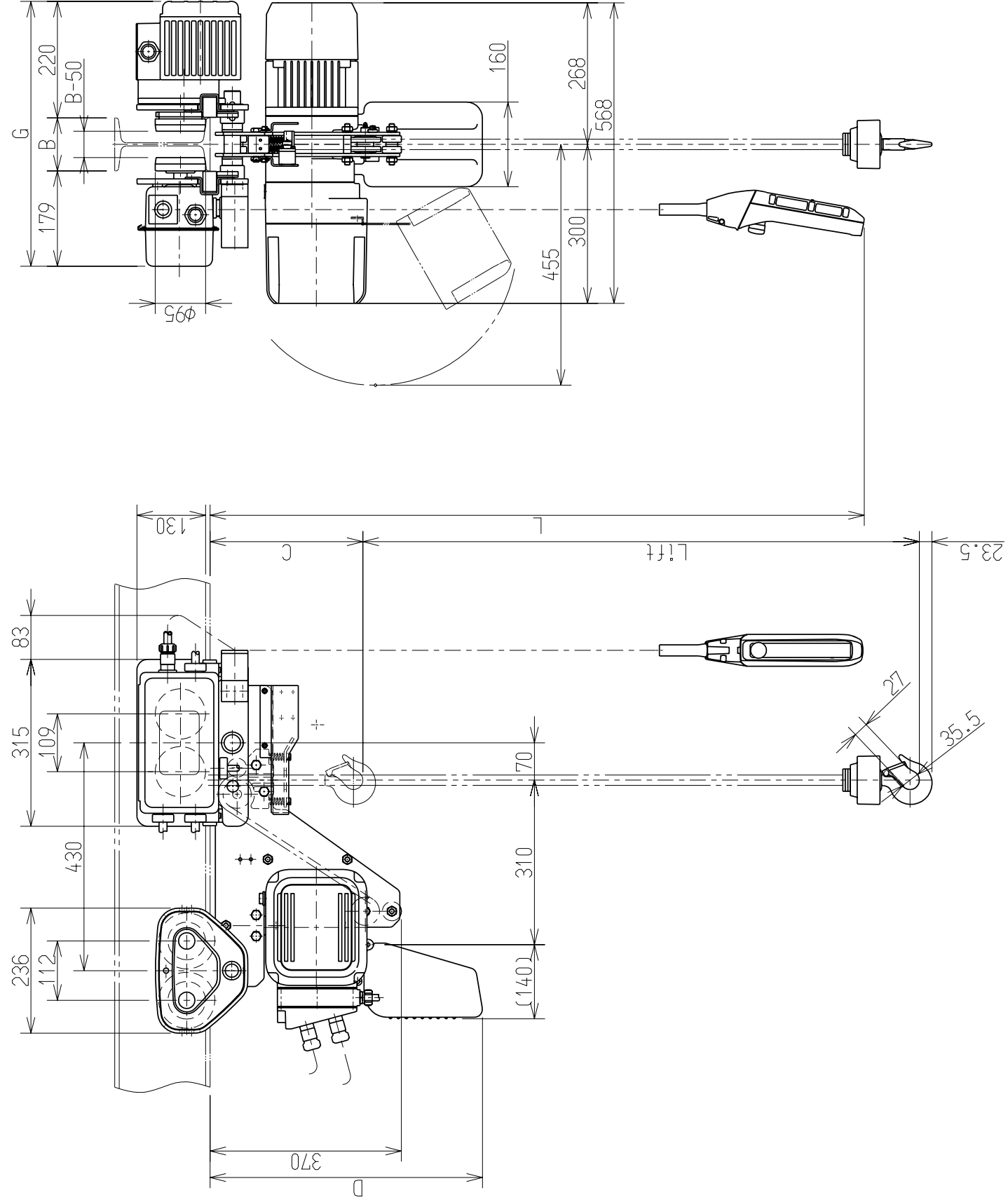


Particulars	
Body Size	ER-C
Capacity	500 kg
Lift	6 m
Chain Size	φ6.0×1
Min. Headroom : C	285 mm
Phase · Voltage	3 · 380 V · 50 Hz
Motor Output for Lifting	0.9 kW · 40/20%ED
· Intermittent Rating for Traversing	0.4 kW · 27/13%ED
Lifting Speed	0.142~0.0237 m/s ( 8.5~1.4 m/min )
Traversing Speed	0.400~0.0667 m/s ( 24~4 m/min )
Push Button Cord : L	- m
Length of Power Supply Cable (Number of Hangers)	- m ( - )
Chain Container Distance from Bottom of Beam : D	520 mm
Flange Width : B	75 mm 100 mm 125 mm
Min. Radius for Curve	- mm
Max. Dimension of Trolley Width : G	474 mm 499 mm 524 mm
Mass	Approx 90 kg
Painting Color	Munsell 7.5YR7/14 Munsell 6YR6/14
1. Short Head Room Type	



TITLE	500kg ER2M SERIES ELECTRIC CHAIN HOIST WITH MOTORIZED TROLLEY	
DWG. NO.	SHER2M005IS-P	
APPROVED	CHECKED	DRAWN
H.Saito	K.Chia	A.Saito
Jan.22.09	Jan.22.09	Jan.22.09
DATE		DRAWN
REV. QTY		APPROVED
CONTENTS		CORPORATION
SCALE		REV.
1/10		0