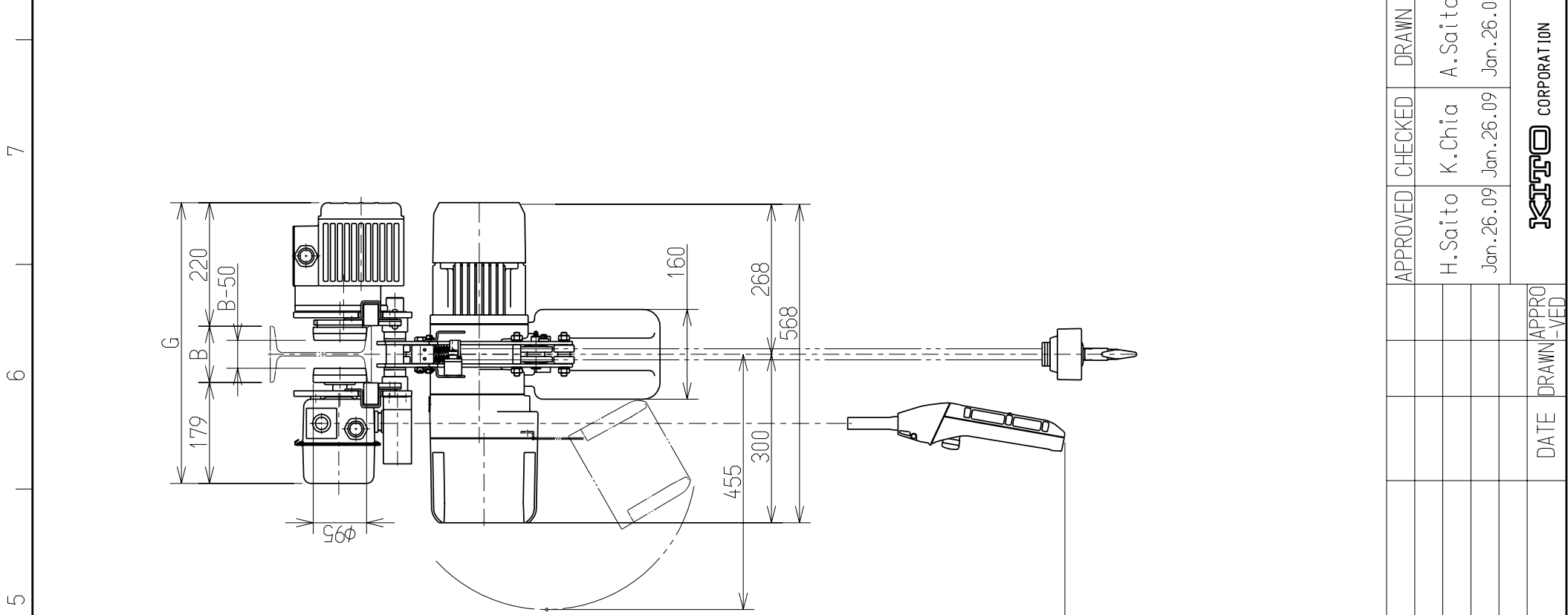


Particulars		A	
Body Size	ER-C	Capacity	500 kg
Lift	6 m	Chain Size	φ6.0×1
Min. Headroom : C	285 mm	Phase · Voltage	3 · 380 V · 50 Hz
Motor Output for Lifting · Intermittent for Rating	0.56 kW · 40/20%ED 0.4 kW · 27/13%ED	Lifting Speed	0.0750~0.0125m/s ( 4.5~0.8 m/min )
Traversing Speed	0.400~0.0667 m/s ( 24~4 m/min )	Push Button Cord : L	- m
Length of Power Supply Cable (Number of Hangers)	- m ( - )	Chain Container Distance from Bottom of Beam : D	520 mm
Flange Width : B	75 mm	Min. Radius for Curve	- mm
Max. Dimension of Trolley Width : G	474 mm	Mass	Approx 85 kg
Painting Color	Munsell 7.5YR7/14 Munsell 6YR6/14		
1. Short Head Room Type			



REV. QTY	CONTENTS	DATE	DRAWN	APPROVED	CHECKED	DRAWN	TITLE
							500kg ER2M SERIES ELECTRIC CHAIN HOIST WITH MOTORIZED TROLLEY
							DWG. NO. SHER2M005IL-P

REV. QTY	CONTENTS	DATE	DRAWN	APPROVED	CHECKED	DRAWN	TITLE
							500kg ER2M SERIES ELECTRIC CHAIN HOIST WITH MOTORIZED TROLLEY
							DWG. NO. SHER2M005IL-P