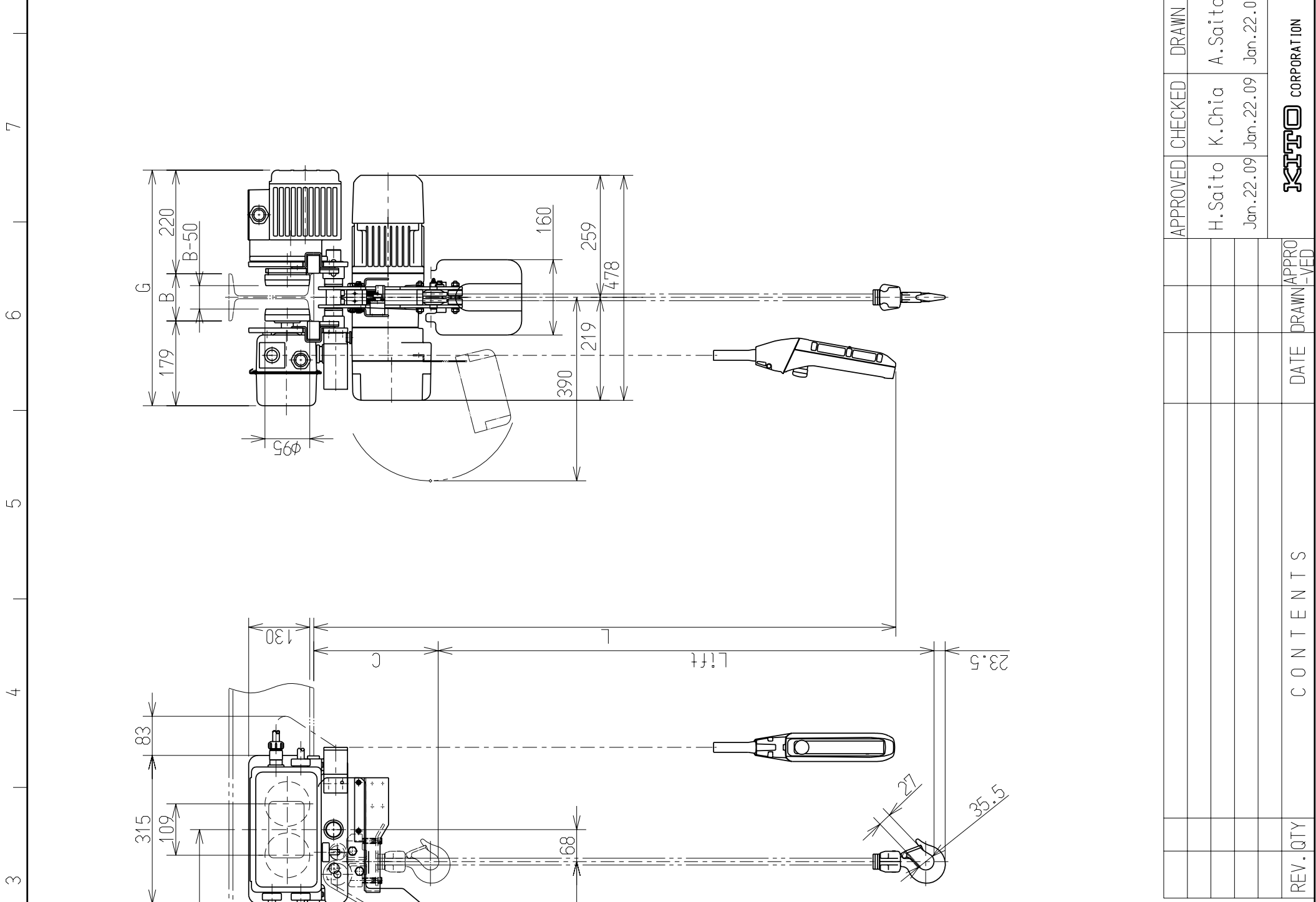


Particulars	
Body Size	ER-B
Capacity	250 kg
Lift	4 m
Chain Size	φ4.3×1
Min. Headroom : C	265 mm
Phase • Voltage	3 • 380 V • 50 Hz
Motor Output for Lifting • Intermittent for Rating	0.56 kW • 60 %ED 0.4 kW • 40 %ED
Lifting Speed	0.152 m/s (9.1 m/min)
Traversing Speed	0.333 m/s (20 m/min)
Push Button Cord : L	- m
Length of Power Supply Cable (Number of Hangers)	- m (-)
Chain Container Distance from Bottom of Beam : D	430 mm
Flange Width : B	75 mm
Min. Radius for Curve	- mm
Max. Dimension of Trolley Width : G	474 mm
Mass	Approx 80 kg
Painting Color	Munsell 7.5YR7/14 Munsell 6YR6/14
1. Short Head Room Type	



REV. QTY	C O N T E N T S	DATE	DRAWN	APPROVED