



ER2 Series Electric Chain Hoist (125kg to 5t)

Parts List

Contents

Contents	2
Introduction.....	3
Body size B: ER2-B	
• Body,gear case,motor	4
• Pinion,friction,gear	6
• Top/bottom hook,load chain,chain guide,chain container.....	8
• Controller cover electric component.....	10
• Controller cover electric component (Inverter dual speed).....	12
• Power supply cable, push button (Direct connection)	14
Body size C: ER2-C	
• Body,gear case,motor	16
• Pinion,friction,gear	18
• Top/bottom hook,load chain,chain guide,chain container.....	20
• Controller cover electric component.....	22
• Controller cover electric component (Inverter dual speed).....	24
• Power supply cable, push button (Direct connection)	26
Body size D: ER2-D	
• Body,gear case,motor	28
• Pinion,friction,gear	30
• Top/bottom hook,load chain,chain guide,chain container.....	32
• Controller cover electric component.....	34
• Controller cover electric component (Inverter dual speed).....	36
• Power supply cable, push button (Direct connection)	38
Body size E: ER2-E	
• Body,gear case,motor	40
• Pinion,friction,gear.....	42
• Top/bottom hook,load chain,chain guide,chain container.....	44
• Top/bottom hook,load chain,chain guide,chain container (Double chain fall).....	46
• Controller cover electric component.....	48
• Controller cover electric component (Inverter dual speed).....	50
• Power supply cable, push button (Direct connection)	52
Body size F: ER2-F	
• Body,gear case,motor	54
• Pinion,friction,gear	56
• Top/bottom hook	58
• Load chain, chain guide, chain container	60
• Top/bottom hook (Double chain fall).....	62
• Load chain, chain guide, chain container (Double chain fall).....	64
• Controller cover electric component.....	66
• Controller cover electric component (Inverter dual speed).....	68
• Power supply cable, push button (Direct connection)	70

Introduction

■ Product code

This parts list provides information for the components for the ER2 series electric chain hoist. The product codes for the hoist are as shown in the following table. With regard to the components for the motorized or manual trolley, please refer to the MR2 motorized or TS2 manual trolley parts list.

Capacity	Body size	Product code			
		Single speed model		Dual speed model	
		Standard speed	Low/High speed	Standard speed	Low/High speed
125kg	ER2-B	-	ER2-001H*	-	ER2-001IH*
250kg		ER2-003S	-	ER2-003IS	-
250kg	ER2-C	-	ER2-003H*	-	ER2-003IH*
500kg		ER2-005S	ER2-005L	ER2-005IS	ER2-005IL
1 t	ER2-D	ER2-010S	ER2-010L	ER2-010IS	ER2-010IL
1.6 t	ER2-E	ER2-016S	-	ER2-016IS	-
2 t		ER2-020S	ER2-020L	ER2-020IS	ER2-020IL
2.5 t	ER2-F	ER2-025S	-	ER2-025IS	-
3.2 t	ER2-E	ER2-032S	-	ER2-032IS	-
5 t	ER2-F	ER2-050S	-	ER2-050IS	-

Note) * mark indicates high-speed model.

■ Voltage category and range

Voltage category	Motor Insulation Class	Voltage range		Control Voltage
		50Hz	60Hz	
230V Class	B	220V	220V	24V (24V to 26.4V)
		230V	230V	
400V Class	F	380V	380V	
		400V	440V	
		415V	-	

■ How to use

Note: All the part codes in this document are referentially listed. In placing an order, please deliver information as specified in "How to order".

- (1) Choose a figure number of your desired part in the exploded view, and find its part name by referring to the list with the figure number.
- (2) X for the part code denotes "not available".
- (3) The blank for the part code denotes the variations depending on the voltage category.

■ Load chain

- (1) The load chain is hardened. Therefore do not extend the load chain.
- (2) When ordering a load chain, indicate the actual length or lifting height.

■ Push button cord complete set

When ordering a push button cord complete set, inform us of the cord length referring to the following table.

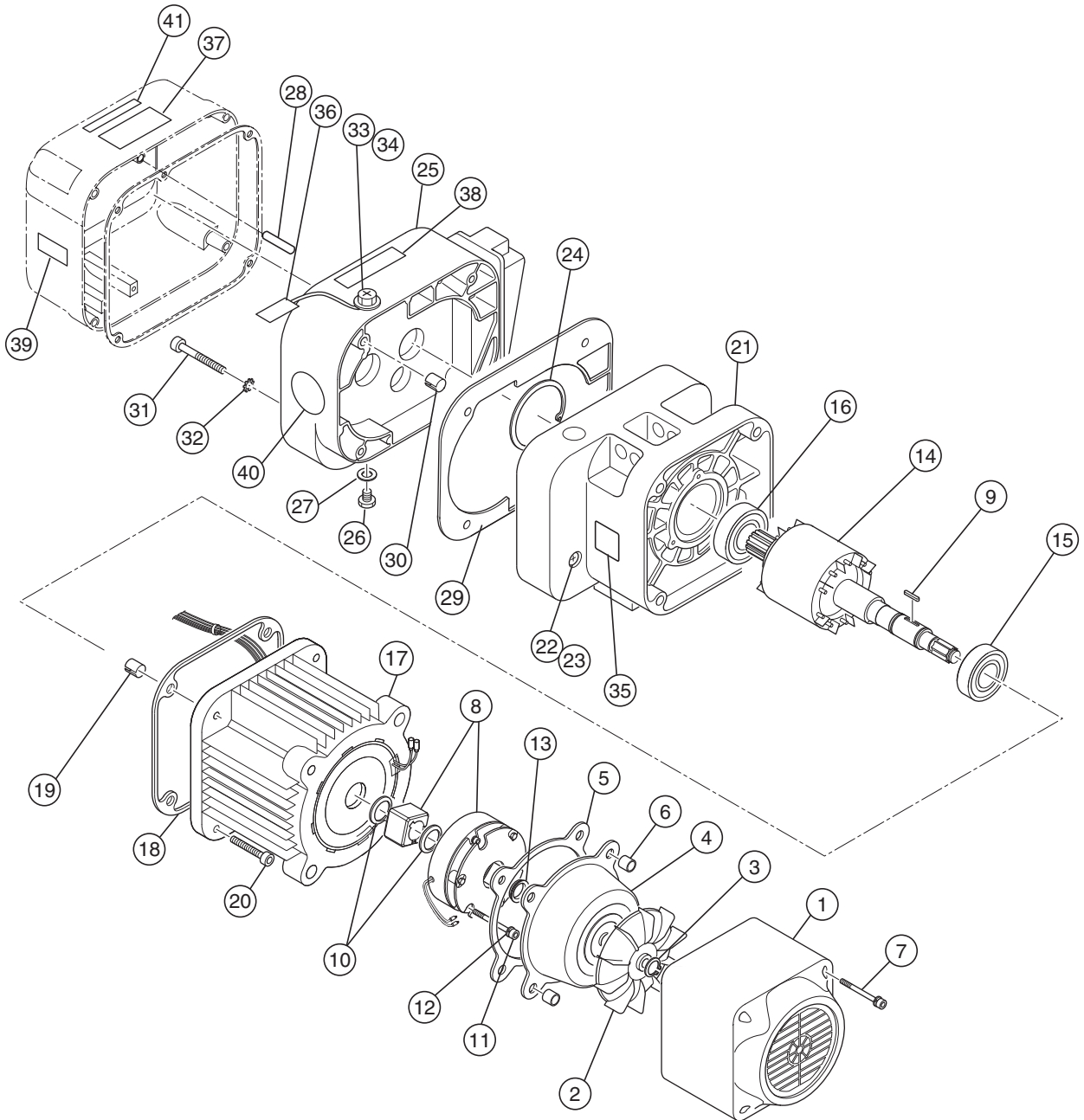
Body size	Push button cord length	Body size	Push button cord length
ER2-B	Lift (m) - 0.4m	ER2-E (single chain fall)	Lift (m) - 0.4m
ER2-C		ER2-E (double chain fall)	Lift (m) - 0.2m
ER2-D		ER2-F	

■ How to order

- (1) When placing an order, please inform us of the product code, power voltage, part name, part number and quantity.
- (2) For part price and delivery date, contact our distributor or KITO.

Body,gear case,motor

ER2-001H/IH,ER2-003S/IS,ER2-003H/IH

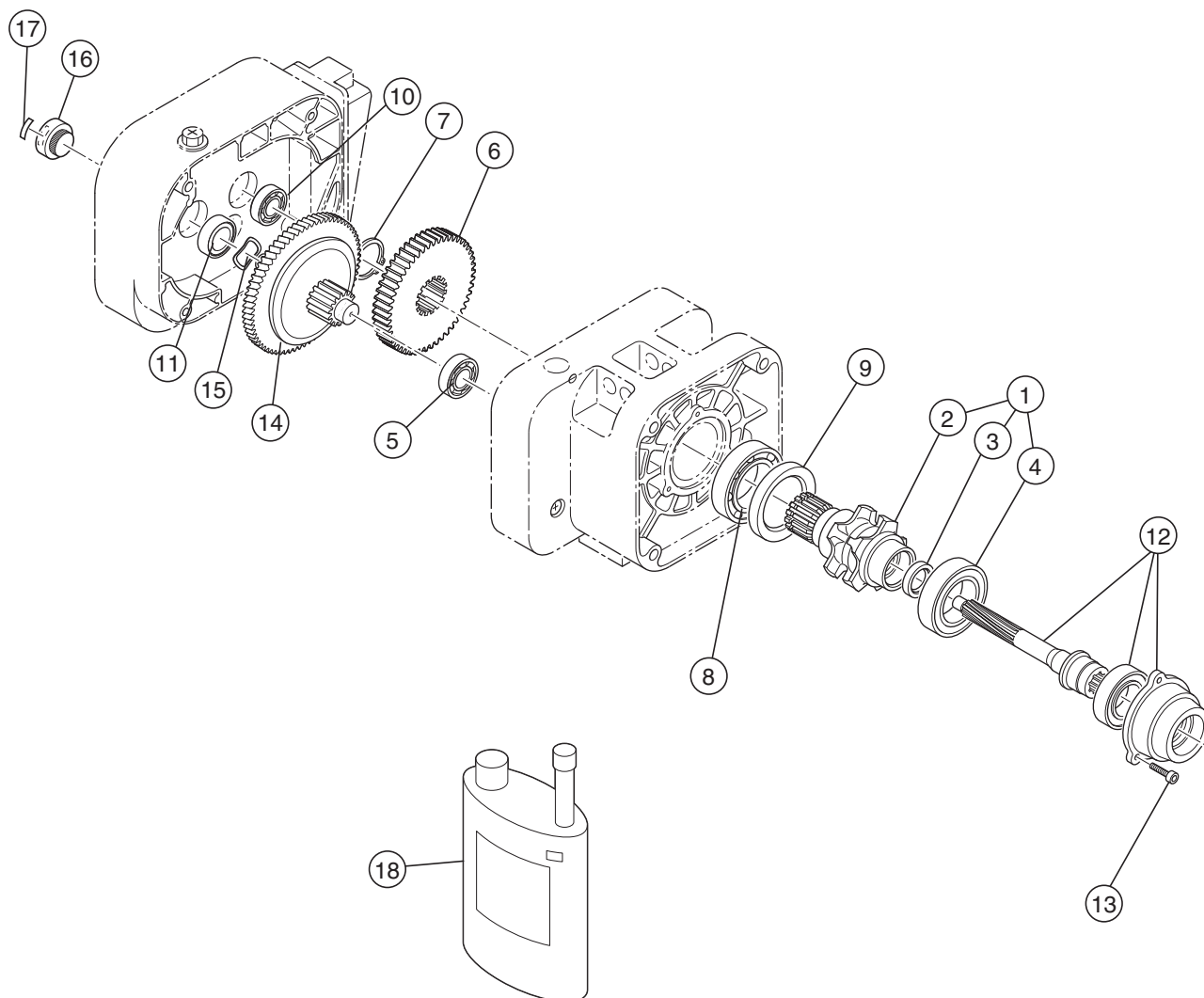


ER2-001H/IH,ER2-003S/IS,ER2-003H/IH

Figure #	Part Number	Part Name	Quantity per unit	ER2-B		ER2-C	Remark
				ER2-001H/IH	ER2-003S/IS	ER2-003H/IH	
1	107	Fan cover	1	ER2BS9107	←	ER2CS9107	
2	108	Fan	1	ER2BS9108	←	ER2CS9108	
3	323	Snap ring	1	J1SS000-00013	←	←	For fan
4	115	Brake cover	1	ER2BS9115	←	ER2CS9115	
5	119	Packing B	1	ER2BS9119	←	ER2CS9119	For brake cover
6	140	Set pin S	2	E6SE005S9120	←	E6SE010S9120	For fan cover, brake cover
7	160	Machine screw socket bolt	4	J1BE1-0504522	←	←	For fan cover, brake cover
8	1362	Electromagnetic brake assembly	1	MBABB0ECA	←	MBABB09CA	230V
				MBABB0EYA	←	MBABB09YA	400V
9	360	Key B	1	ER2CL9360	←	ER2CS9360	For electromagnetic brake
10	361	Snap ring	2	J1SS000-00019	←	J1SS000-00024	For electromagnetic brake
11	167	Socket bolt	3	J1BE1-0604024	←	←	For electromagnetic brake
12	168	Spring lock washer	3	J1WS011-20060	←	←	For electromagnetic brake
13	210	V ring	1	ER2CS9210	←	←	Packing between motor shaft and brake cover
14	5502	Motor shaft with rotor	1	ER2BS5502	←	ER2CS5502	
15	202	Ball bearing	1	J1GR0C0-06004	←	J1GR0C0-06005	For motor frame
16	208	Ball bearing	1	J1GR0C0-06203	←	J1GR0C0-06004	For bearing holder (for motor shaft)
17	5501	Motor frame with stator	1	ER2BFC03S5A1	←	←	230V
				ER2BFY03S5A1	←	←	400V
18	118	Packing M	1	ER2BS9118	←	ER2CS9118	For motor frame
19	138	Set pin S	2	E6SE005-9120	←	E6SE010S9120	For motor frame
20	155	Socket bolt	4	J1BE1-0603030	←	J1BE1-0803535	For motor frame
21	101	Body B	1	ER2BS61011	←	ER2CS61011	
22	133	Oil plug	1	E5FE003S9111	←	←	
23	136	Plug packing	1	E2YS005-9109	←	←	For oil plug
24	207	Snap ring	1	J1SR000-00055	←	J1SR000-00062	
25	6103	Gear case	1	Single: ER2BS6103 Dual: ER2BI6103	←	ER2CS6103	
26	133	Oil plug	1	E5FE003S9111	←	←	For gear case
27	136	Plug packing	1	E2YS005-9109	←	←	For oil plug
28	139	Spring pin	1	J1PS11-030020	←	J1PS11-060025	
29	116	Packing G	1	ER2BS9116	←	ER2CS9116	For gear case
30	137	Set pin S	2	E6SE005S9120	←	←	For gear case
31	151	Socket bolt	4	J1BE1-0605024	←	←	For gear case
32	152	Toothed lock washer	4	J1WH012-10060	←	←	For gear case
33	135	Oil plug B	1	ER1BS9135	←	←	For gear case
34	173	Eyebolt packing	1	E2YS005-9116	←	←	For oil plug B
35	960	Name plate load side E	1	ER1BS9960	←	←	Load side
36	953	Oil Full tag	1	ER1BS9953	←	←	
37	935	Warning sticker E	1	ER2CS9937	←	←	
38	810	Name plate OF	1				
39	836	Name plate L	1	X	X	X	Limit switch specification
40	868	Name plate AD	1	ER1BH9868	ER1BS9868	ER1BH9868	Speed display
41	820	Warning sticker HW	1	ER2CI9806	←	←	For inverter dual speed

Pinion,friction,gear

ER2-001H/IH,ER2-003S/IS,ER2-003H/IH

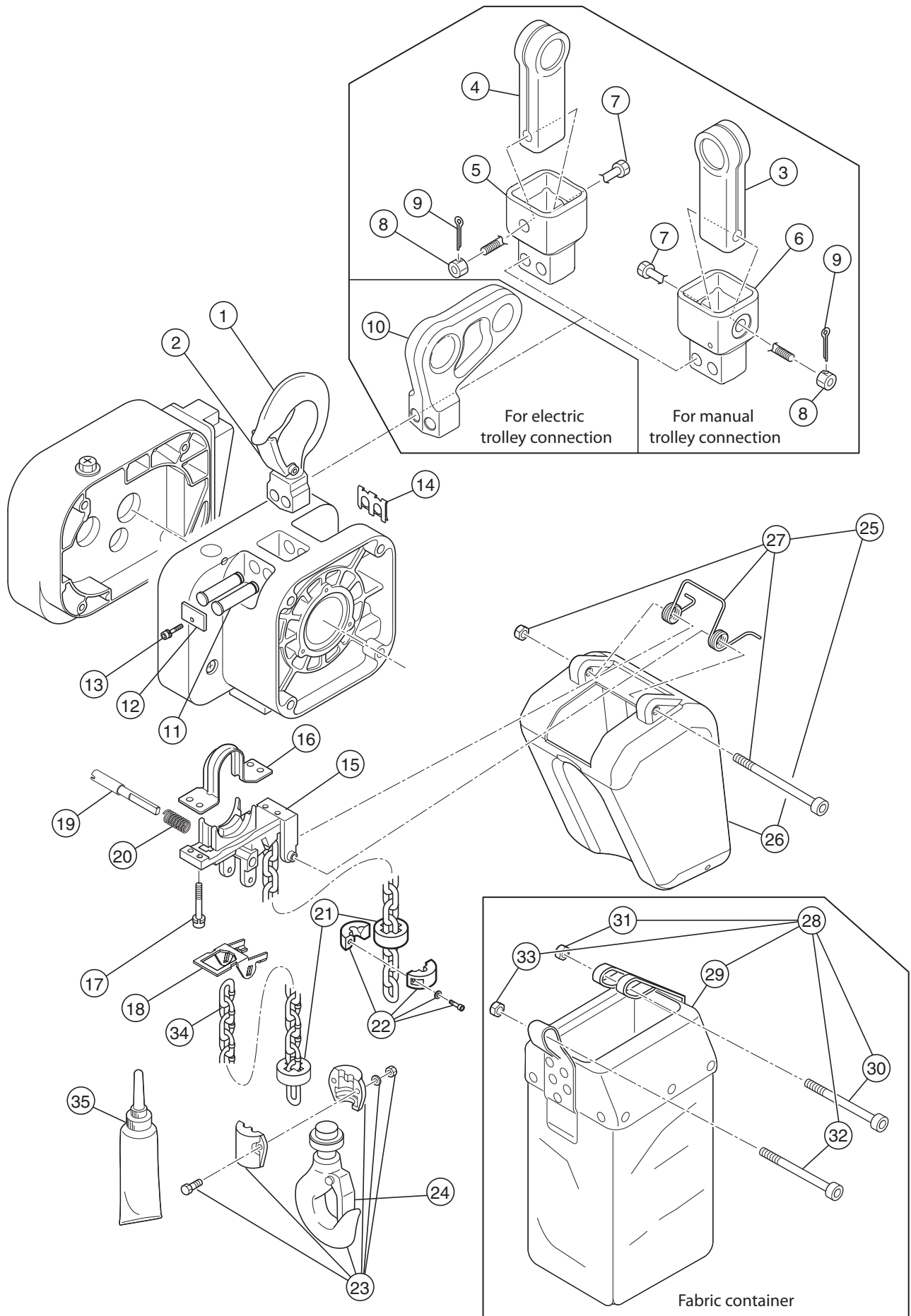


ER2-001H/IH,ER2-003S/IS,ER2-003H/IH

Figure #	Part Number	Part Name	Quantity per unit	ER2-B		ER2-C	Remark
				ER2-001H/IH	ER2-003S/IS	ER2-003H/IH	
1	6241	Load sheave assembly	1	ER2BS6241	←	ER2CS6241	
2	241	Load sheave	1	ER2BS9241	←	ER2CS9241	
3	221	Oil seal	1	ER2BS9221	←	ER2CS9221	For pinion
4	242	Ball bearing	1	J1GR0B0-06006	←	J1GR020-06008	For load sheave (motor side)
5	238	Ball bearing	1	J1GR0A0-06202	←	J1GR0A0-06004	For gear #3 (body side)
6	240	Load gear	1	ER2BH9240	ER2BS9240	ER2CH9240	
7	245	Snap ring	1	J1SS000-00030	←	J1SS000-00035	For load gear
8	243	Ball bearing	1	J1GR0A0-06006	←	J1GR0A0-06007	For load sheave (gear case side)
9	244	Oil seal	1	ER2BS9244	←	ER5SE005S9232	For load sheave (gear case side)
10	222	Ball bearing	1	J1GR000-06200	←	J1GR000-06201	For pinion (gear case side)
11	233	Oil seal 22	1	E6LE005S9235	←	←	For seal collar
12	5220	Pinion assembly	1	ER2BS5220	←	ER2CS5220	With bearing holder
13	164	Socket bolt	3	J1BE1-0501818	←	←	For bearing holder
14	1223	Friction clutch complete set	1	ER2BH1223	ER2BS1223	ER2CH1223	
15	234	Wave washer	1	E1DBX20S9311	←	←	
16	235	Nut cover	1	ER1CS9235	←	←	
17	840	Name plate FP	1	ER1BS9892	←	←	
18	1855S	Oil pot F (0.7L)	1	ER1BS1855	←	←	

Top/bottom hook,load chain,chain guide,chain container

ER2-001H/IH,ER2-003S/IS,ER2-003H/IH



Top/bottom hook,load chain,chain guide,chain container

ER2-001H/IH,ER2-003S/IS,ER2-003H/IH

Figure #	Part Number	Part Name	Quantity per unit	ER2-B		ER2-C	Remark
				ER2-001H/IH	ER2-003S/IS	ER2-003H/IH	
1	1001	Top hook assembly	1	ER2CS1001	←	←	
2	1002	Hook latch assembly	1	ER2CS1002	←	←	For top hook
3	004	Suspender	1	T7GB010-9004	←	←	For geared trolley connection
4	004	Suspender	1	T7PB005-9004	←	←	For plain trolley connection
5	027	Connection yoke P	1	ER2CS9027	←	←	For plain trolley connection
6	029	Connection yoke G	1	ER2CS9029	←	←	For geared trolley connection
7	032	Yoke bolt	1	ER1CS9032	←	←	For connection yoke
8	033	Slotted nut	1	J1NL001-10100	←	←	For connection yoke
9	034	Split pin	1	J1PW01-025018	←	←	For connection yoke
10	031	Suspender T	1	ER2DS9031	←	←	For MR connection
11	121	Top pin	2	ER2CS9121	←	←	For body connection
12	123	Plate A	1	ER2CS9123	←	←	For top pin
13	124	Machine screw socket bolt	1	J1BG1-0601212	←	←	For plate A
14	186	Shaft clip	1	ER2CS9186	←	←	For top pin
15	331	Chain guide A	1	ER2BS9331	←	ER2CS9331	* 1
16	332	Chain guide B	1	ER2BS9332	←	ER2CS9332	
17	346	Socket bolt with spring lock washer	4	J1BE1-0602525	←	←	For chain guide A, B
18	337	Limit lever	1	ER2BS9337	←	ER2CS9337	
19	338	Limit lever pin	1	ER2BS9338	←	ER2CS9338	
20	357	Limit lever spring	1	ER2CS9357	←	←	
21	053	Cushion rubber	2	ER2BS9053	←	ER2CS9053	
22	1041	Stopper assembly	1	E5FE003S9045	←	ER1CS9041	
23	1011	Bottom hook complete set	1	ER2BH1011	ER2BS1011	ER2CH1011	
24	1002	Hook latch assembly	1	ER2CS1002	←	←	Bottom hook
25	BKT2-KITPB	BUCKET KIT PB	1	BKT2-KIT-PB	←	—	
	BKT2-KITPC	BUCKET KIT PC	1	—	—	BKT2-KIT-PC	
26	1401	Chain container P assembly	1	ER2BS1401	←	ER2CS1401	Max. lifting height 6m
27	1416	Container spring assembly	1	ER2BS1416	←	ER2CS1416	
28	BKT2-KITB0	BUCKET KIT B0	1	BKT2-KIT-B0	←	—	For chain container (B0) assembly
	BKT2-KITC1	BUCKET KIT C1	1	—	—	BKT2-KIT-C1	For chain container (C1) assembly
	BKT2-KITC1	BUCKET KIT C1	1	BKT2-KIT-C1	←	—	
	BKT2-KITC2	BUCKET KIT C2	1	—	—	BKT2-KIT-C2	For chain container (C2) assembly
29	5402	Chain container (B0) assembly	1	ER2BS5402	←	—	Max. lifting height 8m for fabric
	5403	Chain container (C1) assembly	1	ER2CS5403	←	—	Max. lifting height 15m for fabric
	5403	Chain container (C1) assembly	1	—	—	ER2CS5403	Max. lifting height 8m for fabric
	5405	Chain container (C2) assembly	1	—	—	ER2CS5405	Max. lifting height 15m for fabric
30	417	Socket bolt	1	J1BE1-0807528	←	←	Container hanger A for fabric container side
31	418	Lever nut	1	C2BA100-9074	←	←	Container hanger A for fabric container side
32	419	Socket bolt	1	J1BE1-0604508	←	←	Container hanger B for fabric container side
33	420	U nut	1	E5SE003S9855	←	←	Container hanger B for fabric container side
34	874	Load chain	1	KAZN043W	←	KBAN060W	Nickel plating specification
35	1951	Lubricant tube assembly	1	ER2CS1951	←	←	

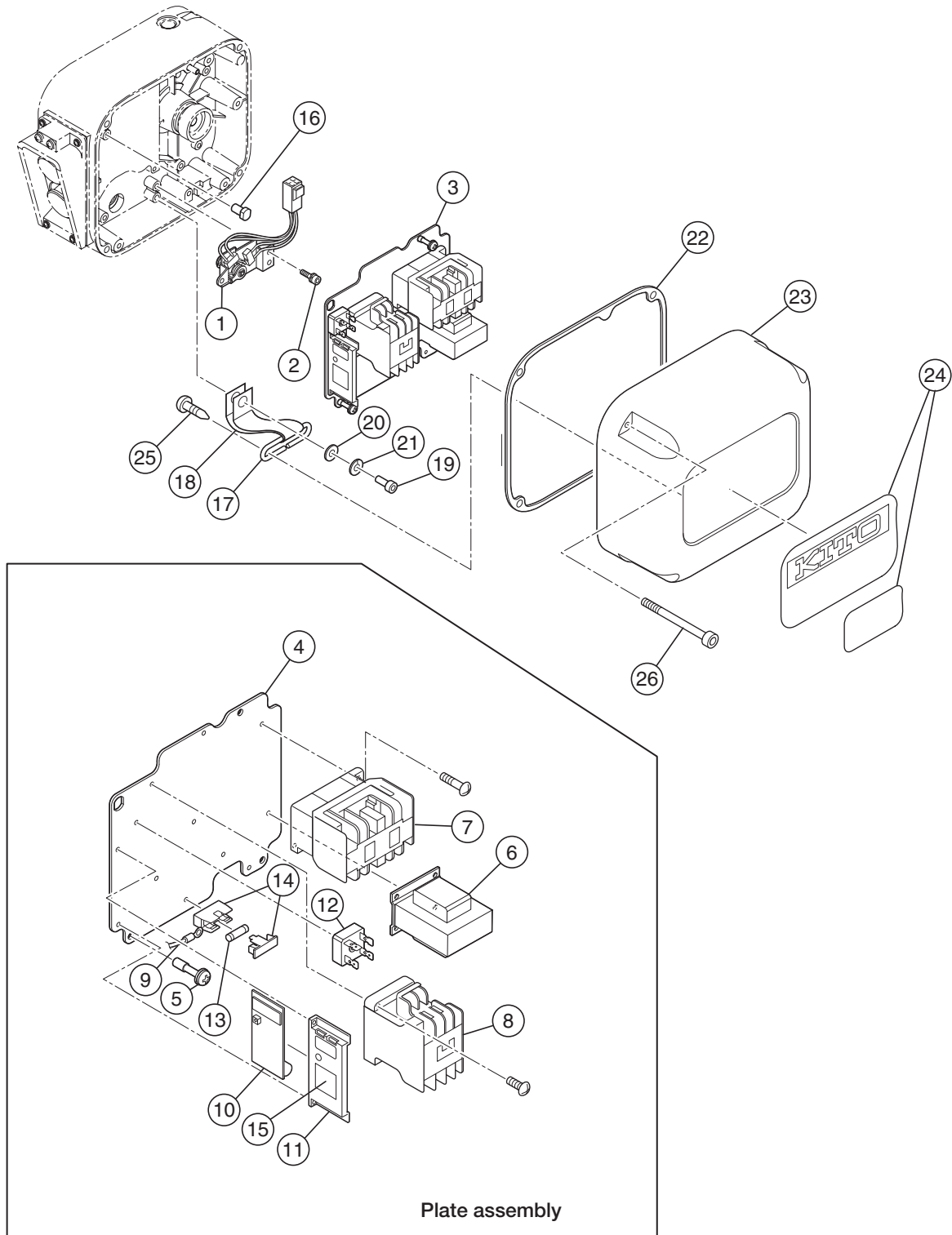
* Please be aware of the following items regarding design changes made in August 2009 to chain guides A and B of the ER2 B series.
 - Chain guides A and B prior to lot No. 97SY5262 must be purchased as a set.
 - Chain guides A and B after lot No. 97SY5263 can be purchased separately, as before.

Load chain

Body size		ER2-B		ER2-C
Type		ER2-001H/IH	ER2-003S/IS	ER2-003H/IH
Load chain number of falls		1		
Load chain wire diameter (mm)		φ4.3		φ6.0
Wire length allowance (m)	Lifting height 4m/6m	0.35/0.35		0.39/0.40
Total length (m)	Lifting height 4m/6m	4.35/6.35		4.39/6.40

Controller cover electric component

ER2-001H,ER2-003S,ER2-003H



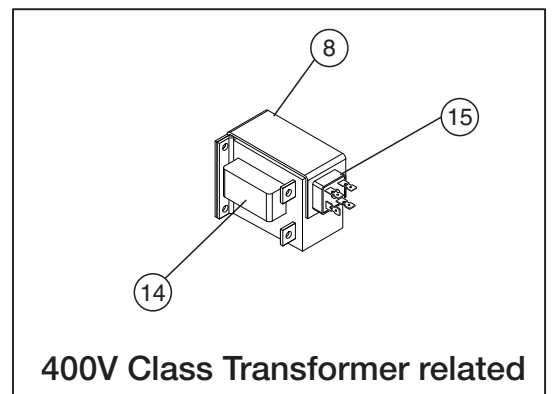
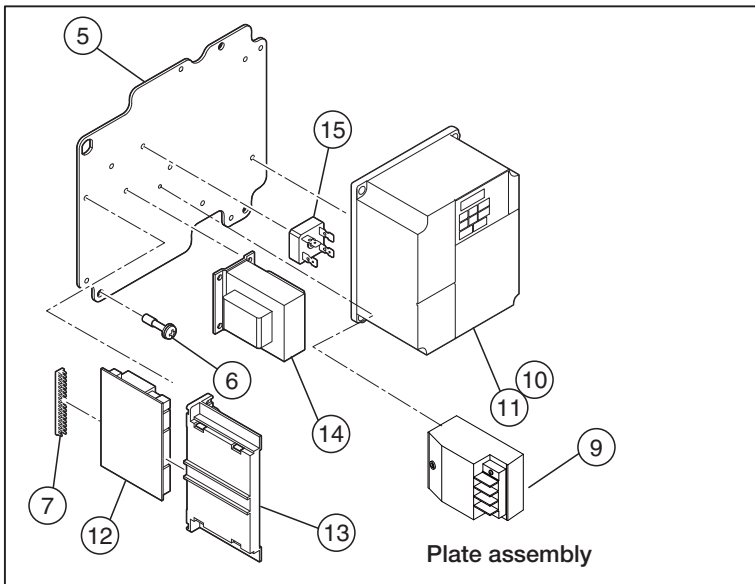
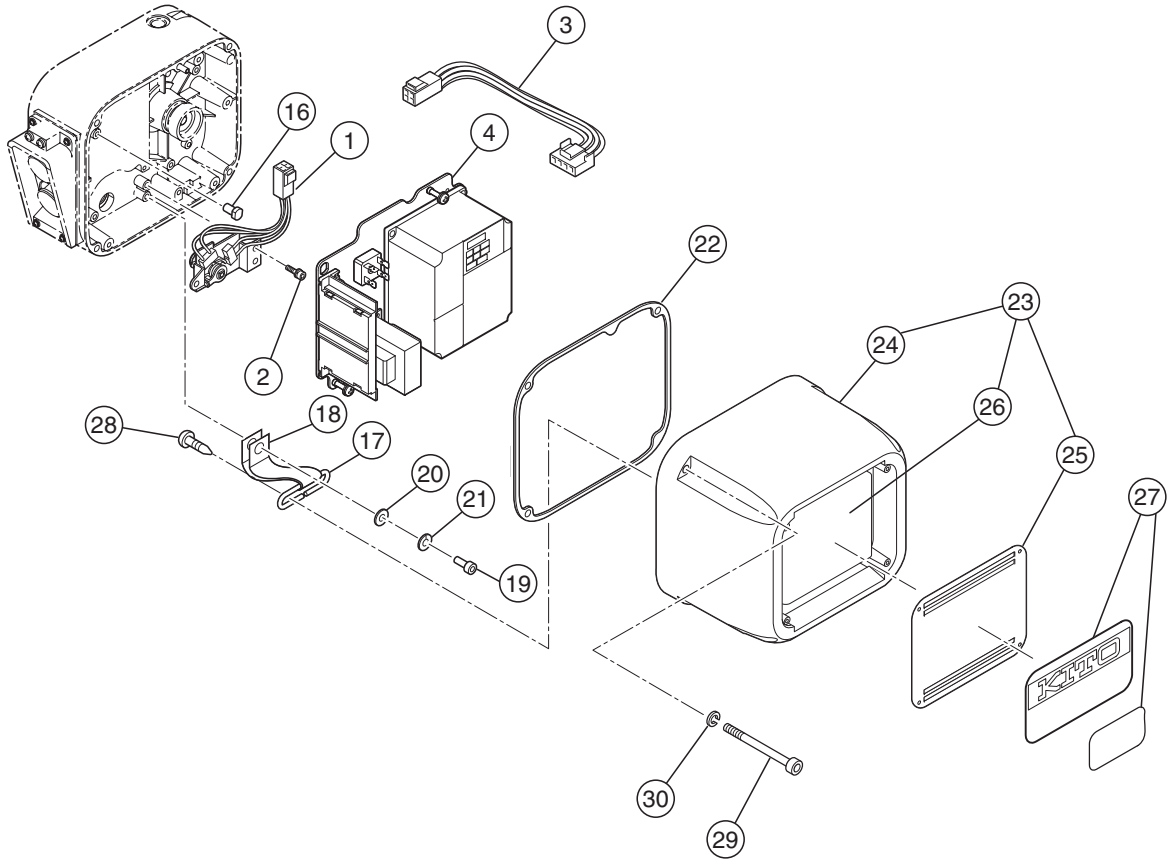
Controller cover electric component

ER2-001H,ER2-003S,ER2-003H

Figure #	Part Number	Part Name	Quantity per unit	ER2-B		ER2-C	Remark
				ER2-001H	ER2-003S	ER2-003H	
1	1060	Limit switch complete set	1	ER2C11060	←	←	
2	124	Machine screw socket bolt	3	J1BG1-0601212	←	←	For limit switch
3	1441	Plate assembly	1	ER2BFC03S5A2	←	ER2BFC05S5A2	230V
				ER2BFY03S5A2	←	ER2BFY05S5A2	400V
4	441	Plate	1	ER2BS9441	←	ER2CS9441	
5	445	Plate screw	3	ER1BS9445	←	←	
6	577	Transformer	1	TRF12C211	←	TRF13C211	230V
				TRF12Y211	←	TRF13Y211	400V
7	578	Electromagnetic contactor	1	MGC22402A	←	MGC23402A	For forward/reverse switching
8	580	Electromagnetic contactor	1	MGC14302C	←	←	For emergency stop
9	583	Lead wire	1	ER2BEE03S9A2	←	ER2BEE05S9A2	
10	582	CH meter	1	ECP91CHBA	←	←	
11	597	CH meter support	1	ECP99BKB	←	←	
12	598	Rectifier	1	ECP93DIAA	←	←	
13	602	Fuse	1	ECP91FZ01	←	ECP91FZ02	
14	603	Fuse holder	1	ECP92FZAA	←	←	
15	838	Name plate CH	1	ECP99CHAA	←	←	
16	449	Fulcrum pin	1	ER2CS9449	←	←	Plate rotation center pin
17	456	Cover suspender	1	ER2CS9456	←	←	
18	457	Cover belt	1	ER2BI9457	←	ER2CS9457	
19	458	Socket bolt	1	J1BE1-0601616	←	←	For belt (attached to gear case)
20	459	Plain washer	1	ER1BS9436	←	←	For belt (attached to gear case)
21	460	Spring lock washer	1	J1WS011-20060	←	←	For belt (attached to gear case)
22	117	Packing C	1	ER2BS9117	←	ER2CS9117	For controller cover
23	104	Controller cover	1	ER2BS9104	←	ER2CS9104	
24	801	Name plate B	1				
	802	Name plate D	1				
25	114	Pan head machine screw	2	J1AK2-5001212	←	←	For cover suspender (attached to controller cover)
26	153	Machine screw socket bolt	4	J1BG1-0504022	←	←	For controller cover

Controller cover electric component (Inverter dual speed)

ER2-001IH,ER2-003IS,ER2-003IH



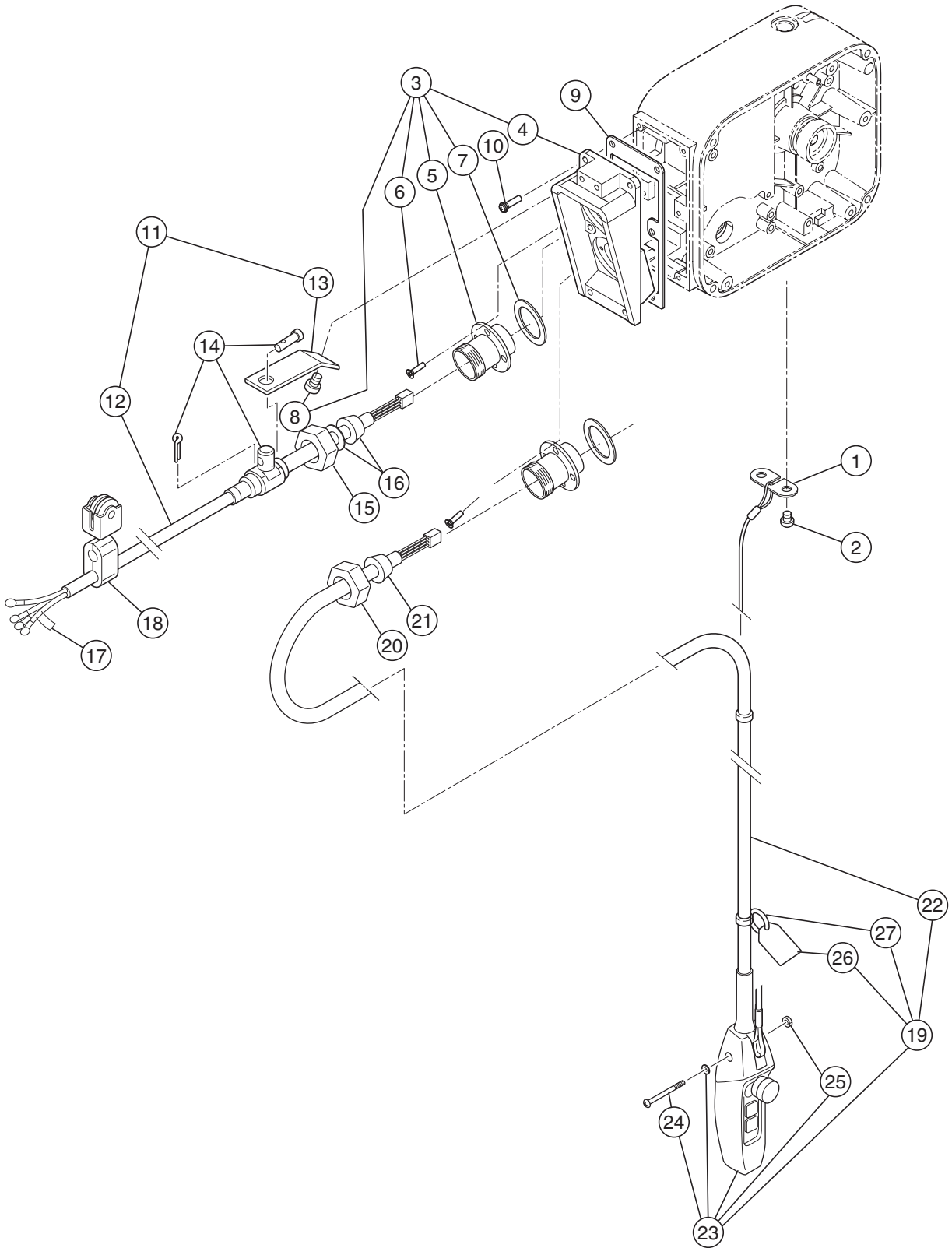
Controller cover electric component (Inverter dual speed)

ER2-001IH,ER2-003IS,ER2-003IH

Figure #	Part Number	Part Name	Quantity per unit	ER2-B		ER2-C	Remark
				ER2-001IH	ER2-003IS	ER2-003IH	
1	1060	Limit switch complete set	1	ER2CI1060	←	←	
2	124	Machine screw socket bolt	3	J1BG1-0601212	←	←	For limit switch
3	554	LS harness	1	ER2CI9554	←	←	
4	1441	Plate assembly	1	ER2BMC03I5A2	←	ER2BMC05I5A2	230V
				ER2BMY03I5A2	←	ER2BMY05I5A2	400V
5	441	Plate	1	ER2BI9450	←	ER2CI9450	
6	445	Plate screw	3	ER1BS9445	←	←	
7	448	Bushing	1	ECP99JBAC	←	←	
8	452	Rectifier support A		ER2BI9452	←	X	For 400V class
9	5463	Noise filter		ER2BMC05I9C1	←	ER2BMC05I9C1	230V
				ER2BMY05I9C1	←	ER2BMY05I9C1	400V
10	583	Lead wire		ER2BMY03I9A2	←	ER2BMC03I9A2	
11	1571	Inverter assembly	1	INV60FC21	←	INV60FC21	230V
				INV60FY21	←	INV60FY21	400V
12	508	Interface board	1	ECP91KB01	←	←	
13	509	Board support	1	ECP99BKAA	←	←	
14	577	Transformer	1	TRF12C212	←	TRF12C212	230V
				TRF12Y212	←	TRF12Y212	400V
15	598	Rectifier	1	ECP93DIAA	←	←	
16	449	Fulcrum pin	1	ER2CS9449	←	←	Plate rotation center pin
17	456	Cover suspender	1	ER2CS9456	←	←	
18	457	Cover belt	1	ER2CS9457	←	←	
19	458	Socket bolt	1	J1BE1-0601616	←	←	For cover belt (attached to gear case)
20	459	Plain washer	1	ER1BS9436	←	←	For cover belt (attached to gear case)
21	460	Spring lock washer	1	J1WS011-20060	←	←	For cover belt (attached to gear case)
22	117	Packing C	1	ER2BS9117	←	ER2CS9117	For controller cover
23	2104	Controller cover assembly	1	ER2BI2104	←	ER2BI2104	230V
				ER2BI1104	←	ER2BI1104	400V
24	104	Controller cover	1	ER2BI9104	←	ER2CI9104	
25	185	Resistor cover	1	ER2BI9185	←	ER2CI9185	
26	5505	Braking resistor assembly	1	NV70EE16	←	INV70EE16	230V
				NV70EY16	←	INV70EY16	400V
27	801	Name plate B	1				
	802	Name plate D	1				
28	114	Pan head machine screw	2	J1AK2-5001212	←	←	For cover suspender (attached to controller cover)
29	153	Socket bolt	4	J1BE1-504022	←	←	For controller cover
30	154	Toothed lock washer	4	J1WH012-10050	←	←	For controller cover

Power supply cable, push button (Direct connection)

ER2-001H/IH, ER2-003S/IS, ER2-003H/IH



3 push button cord complete set

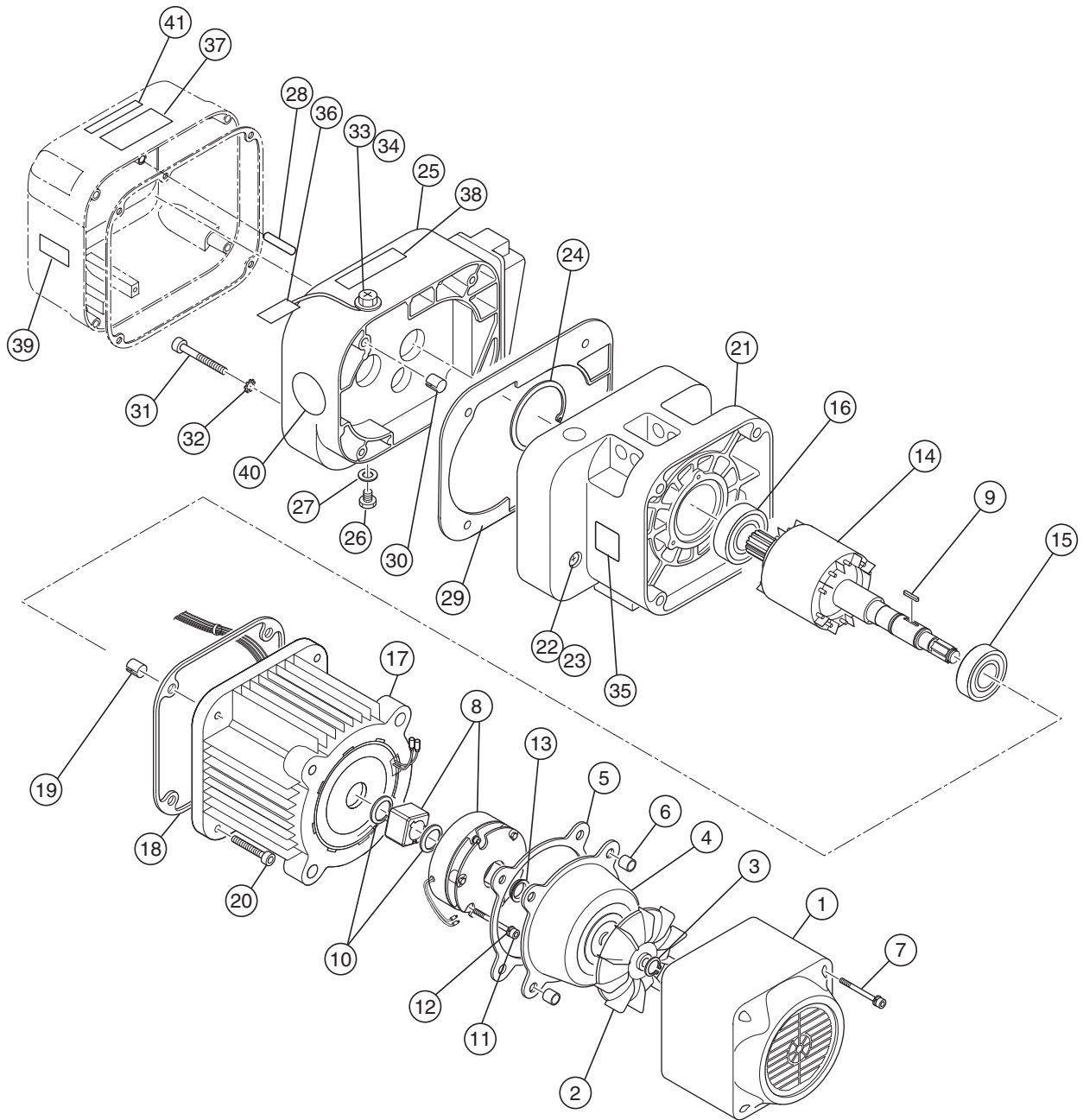
Power supply cable, push button (Direct connection)

ER2-001H/IH,ER2-003S/IS,ER2-003H/IH

Figure #	Part Number	Part Name	Quantity per unit	ER2-B		ER2-C	Remark
				ER2-001H/IH	ER2-003S/IS	ER2-003H/IH	
1	535	Cord support(wire stopper)	1	ER1BS9534	←	←	
2	536	Machine screw with spring washer	2	J1AP2-5001212	←	←	For cord support L
3	2511	Socket frame complete set	1	ER2CS2511	←	←	
4	511	Socket frame	1	ER2CS9511	←	←	
5	575	Holder C	2	ECP5924AL	←	←	
6	517	Tapping flat head machine screw	8	E6SE003S9551	←	←	For holder C
7	568	Holder packing	2	ECP5924AM	←	←	For holder C
8	546	Machine screw with spring washer	2	J1AP2-6001616	←	←	For cable support arm
9	512	Socket frame packing	1	ER2CS9512	←	←	
10	516	Machine screw with spring washer	6	J1AP-5002020	←	←	For socket frame
11	1521	Power supply cable 4C assembly	1	ZBZB12CJ1000	←	←	
12	521	Power supply cable 4C	1	VCT-KYN 4C×1.25mm ²			
13	541	Cable support arm	1	ER1BS9541	←	←	
14	1542	Cable support 12 assembly	1	E7AX003S2822			
15	569	Holder A	1	ECP5924AA	←	←	
16	574	Cable packing	1	ECP6912AA	←	←	
17	823	Name plate G	1	E6LE010S9806	←	←	
18	1527	Cable hanger 14 assembly	n	X	X	X	
19	1557	3 push button cord 4C complete set	1				
20	341	Holder A	1	ECP5924AA	←	←	
21	351	Cable packing	1				
22	557	Push button cord 4C	1				
23	1561	3 push button switch assembly	1				
24	626	Machine screw	1	J1AP2-4002608	←	←	
25	627	Nut	1	J1AN004-10040	←	←	
26	567	Warning tag PB	1				
27	568	Tag holder	1	E7SE003S9787	←	←	

Body,gear case,motor

ER2-005S/IS,ER2-005L/IL

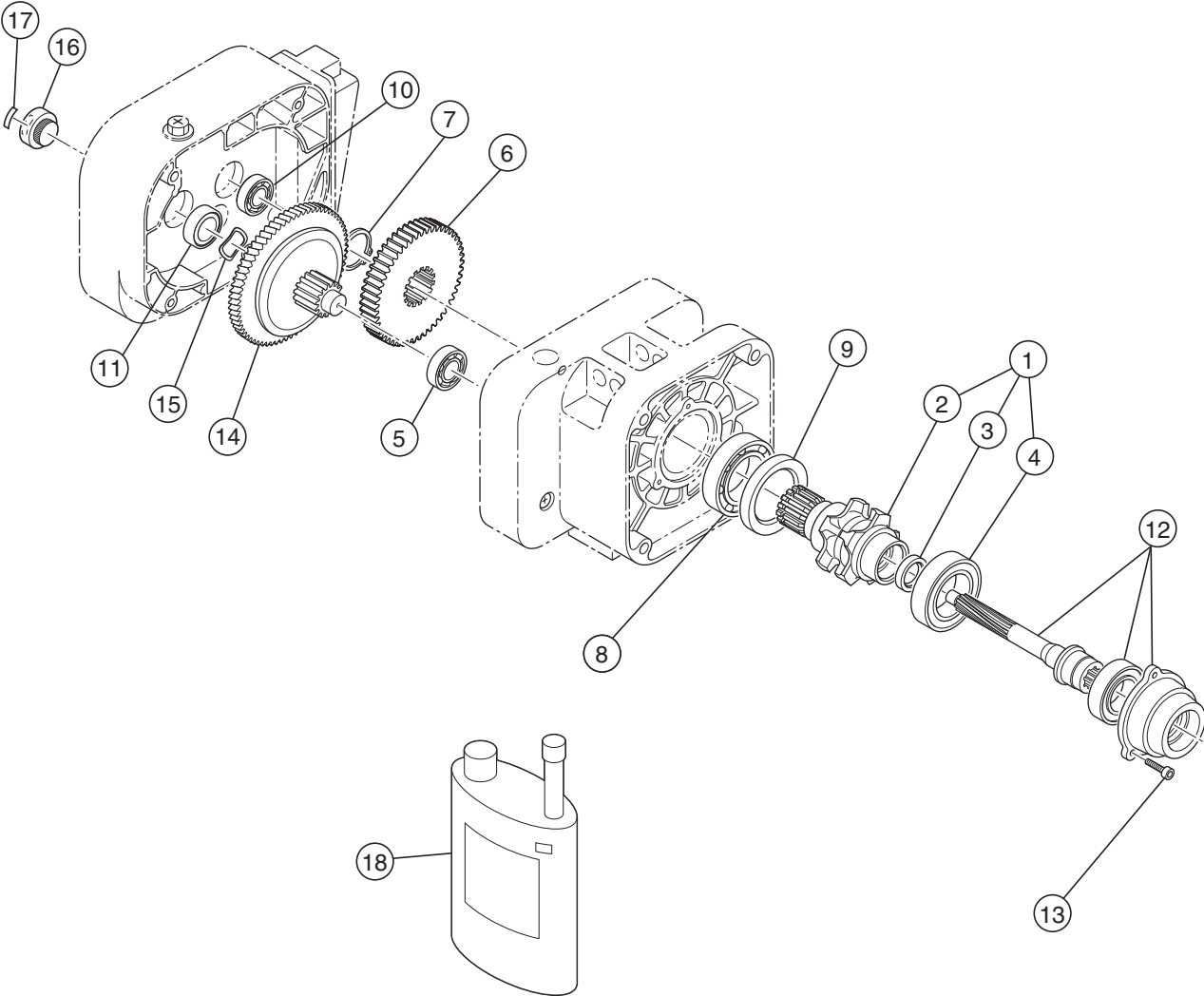


ER2-005S/IS,ER2-005L/IL

Figure #	Part Number	Part Name	Quantity per unit	ER2-C		Remark
				ER2-005S/IS	ER2-005L/IL	
1	107	Fan cover	1	ER2CS9107	ER2CL9107	
2	108	Fan	1	ER2CS9108	ER2CL9108	
3	323	Snap ring	1	J1SS000-00013	←	For fan
4	115	Brake cover	1	ER2CS9115	ER2CL9115	
5	119	Packing B	1	ER2CS9119	ER2CL9119	For brake cover
6	140	Set pin S	2	E6SE005S9120	←	For fan cover, brake cover
7	160	Machine screw socket bolt	4	J1BG1-0504522	←	For fan cover, brake cover
8	1362	Electromagnetic brake assembly	1	MBABB09CA	←	230V
				MBABB09YA	←	400V
9	360	Key B	1	ER2CS9360	ER2CL9360	For electromagnetic brake
10	361	Snap ring	2	J1SS000-00024	J1SS000-00019	For electromagnetic brake
11	167	Socket bolt	3	J1BE1-0604024	←	For electromagnetic brake
12	168	Spring lock washer	3	J1WS011-20060	←	For electromagnetic brake
13	210	V ring	1	ER2CS9210	←	Packing between motor shaft and brake cover
14	5502	Motor shaft with rotor	1	ER2CS5502	ER2CL5502	
15	202	Ball bearing	1	J1GR0C0-06005	J1GR0C0-06004	For motor frame
16	208	Ball bearing	1	J1GR0C0-06004	←	For bearing holder (for motor shaft)
17	5501	Motor frame with stator	1	ER2BFC05S5A1	←	230V
				ER2BFY05S5A1	←	400V
18	118	Packing M	1	ER2CS9118	←	For motor frame
19	138	Set pin S	2	E6SE010S9120	←	For motor frame
20	155	Socket bolt	4	J1BE1-0803535	←	For motor frame
21	101	Body B	1	ER2CS9101	←	
22	133	Oil plug	1	E5FE003S9111	←	
23	136	Plug packing	1	E2YS005-9109	←	For oil plug
24	207	Snap ring	1	J1SR000-00062	←	
25	6103	Gear case	1	ER2CS6103	←	
26	133	Oil plug	1	E5FE003S9111	←	For gear case
27	136	Plug packing	1	E2YS005-9109	←	For oil plug
28	139	Spring pin	1	J1PS11-060025	←	
29	116	Packing G	1	ER2CS9116	←	For gear case
30	137	Set pin S	2	E6SE005S9120	←	For gear case
31	151	Socket bolt	4	J1BE1-0605024	←	For gear case
32	152	Toothed lock washer	4	J1WH012-10060	←	For gear case
33	135	Oil plug B	1	ER1BS9135	←	For gear case
34	173	Eyebolt packing	1	E2YS005-9116	←	For oil plug B
35	960	Name plate load side E	1	ER1BS9960	←	Load side
36	953	Oil Full tag	1	ER1BS9953	←	
37	935	Warning sticker E	1	ER2CS9937	←	
38	810	Name plate OF	1			
39	836	Name plate L	1	X	X	Limit switch specification
40	868	Name plate AD	1	ER1BS9868	ER1BL9868	Speed display
41	820	Warning sticker HW	1	ER2CI9806	←	

Pinion,friction,gear

ER2-005S/IS,ER2-005L/IL

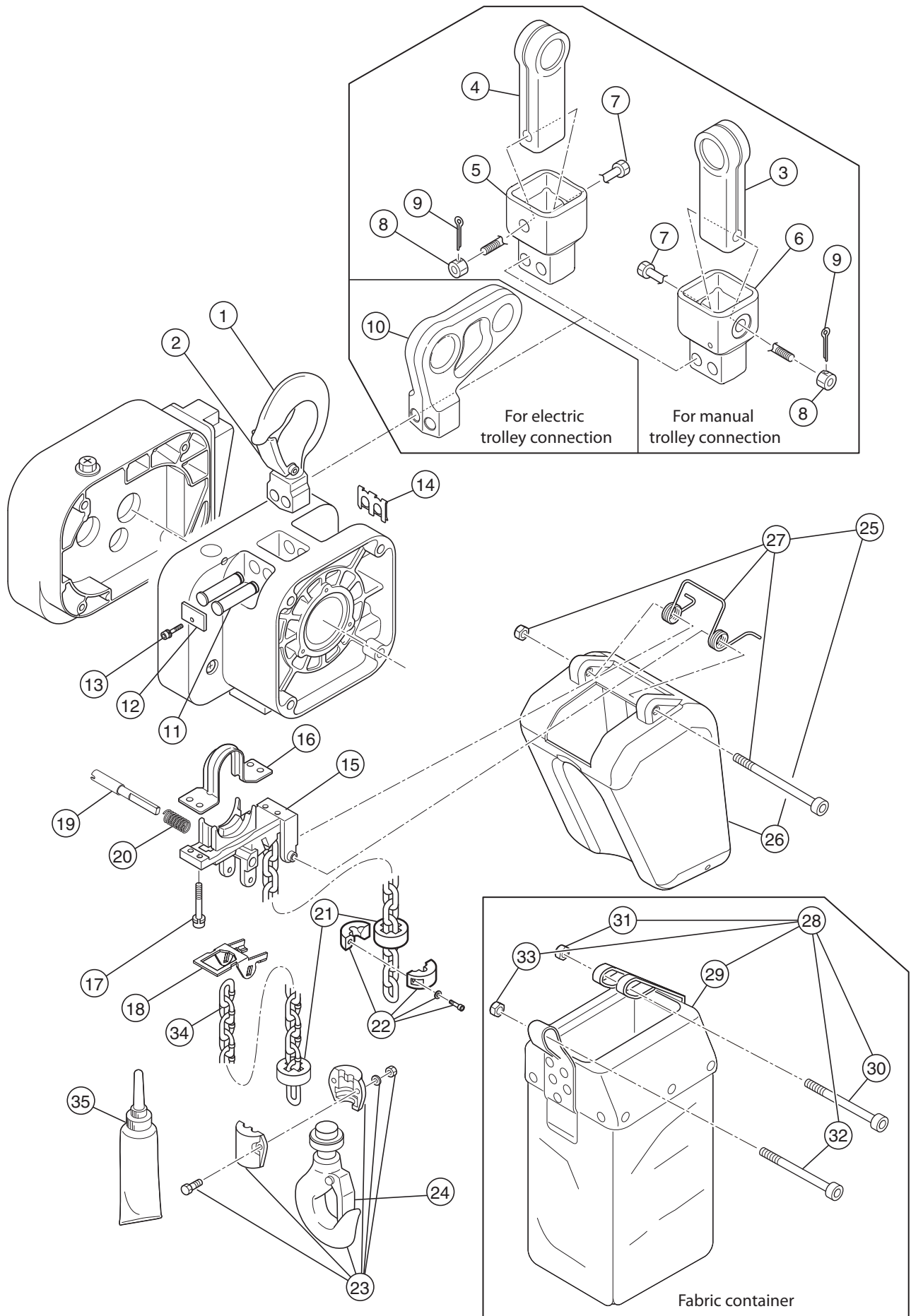


ER2-005S/IS,ER2-005L/IL

Figure #	Part Number	Part Name	Quantity per unit	ER2-C		Remark
				ER2-005S/IS	ER2-005L/IL	
1	6241	Load sheave assembly	1	ER2CS6241	←	
2	241	Load sheave	1	ER2CS9241	←	
3	221	Oil seal	1	ER2CS9221	←	For pinion
4	242	Ball bearing	1	J1GR020-06008	←	For load sheave (motor side)
5	238	Ball bearing	1	J1GR0A0-06004	J1GR000-06302	For gear #3 (body side)
6	240	Load gear	1	ER2CS9240	ER2CL9240	
7	245	Snap ring	1	J1SS000-00035	←	For load gear
8	243	Ball bearing	1	J1GR0A0-06007	←	For load sheave (gear case side)
9	244	Oil seal	1	E5SE005S9232	←	For load sheave (gear case side)
10	222	Ball bearing	1	J1GR0A0-06201	←	For pinion (gear case side)
11	233	Oil seal 22	1	E6LE005S9235	←	For seal collar
12	5220	Pinion assembly	1	ER2CS5220	←	With bearing holder
13	164	Socket bolt	3	J1BE1-0501818	←	For bearing holder
14	1223	Friction clutch complete set	1	ER2CS1223	ER2CL1223	
15	234	Wave washer	1	E1DBX20S9311	←	
16	235	Nut cover	1	ER1CS9235	←	
17	840	Name plate FP	1	ER1BS9892	←	
18	1855S	Oil pot F (0.7L)	1	ER1BS1855	←	

Top/bottom hook,load chain,chain guide,chain container

ER2-005S/IS,ER2-005L/IL



Top/bottom hook,load chain,chain guide,chain container

ER2-005S/IS,ER2-005L/IL

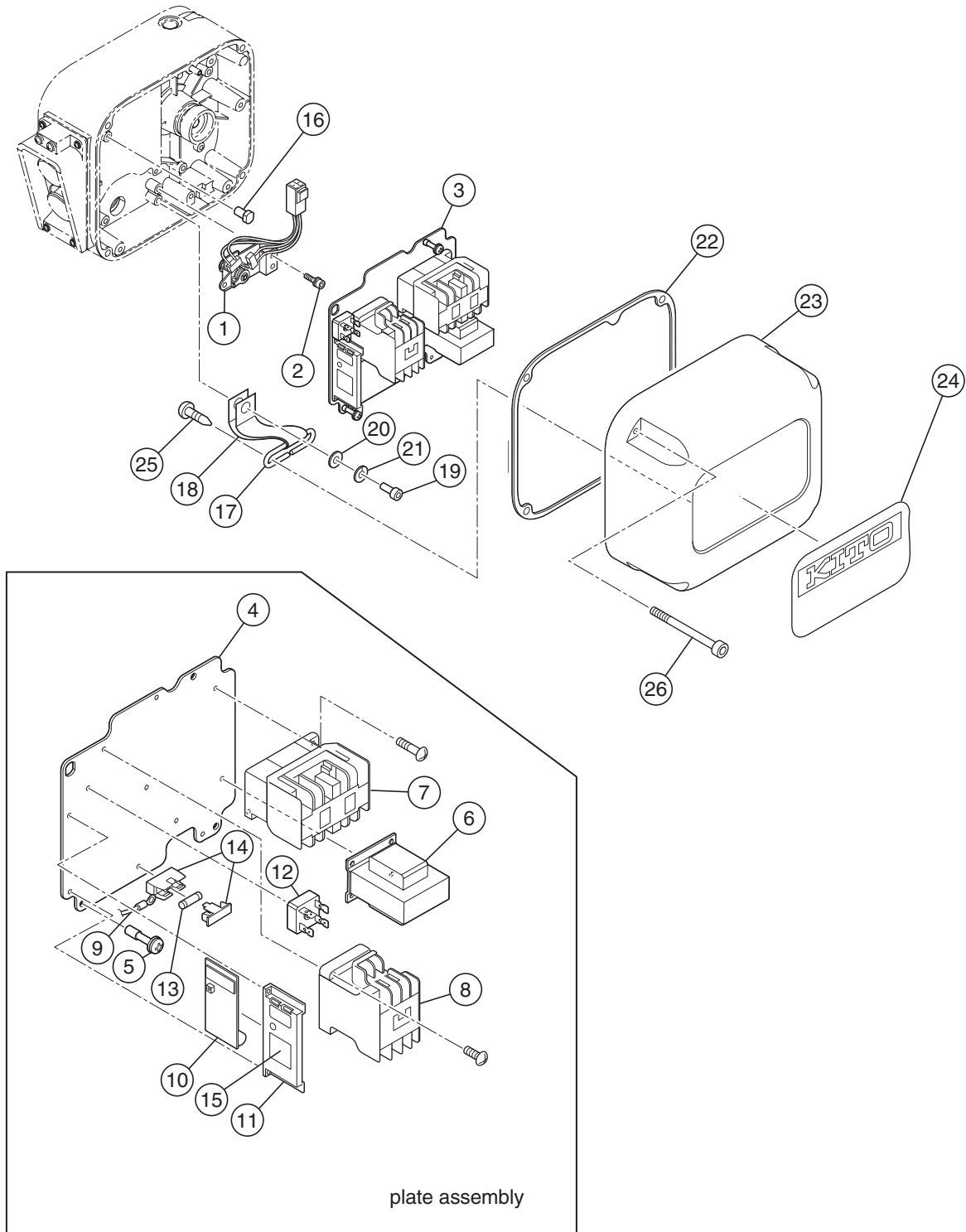
Figure #	Part Number	Part Name	Quantity per unit	ER2-C		Remark
				ER2-005S/IS	ER2-005L/IL	
1	1001	Top hook assembly	1	ER2CS1001	←	
2	1002	Hook latch assembly	1	ER2CS1002	←	For top hook
3	004	Suspender	1	T7GB010-9004	←	For geared trolley connection
4	004	Suspender	1	T7PB005-9004	←	For plain trolley connection
5	027	Connection yoke P	1	ER2CS9027	←	For plain trolley connection
6	029	Connection yoke G	1	ER2CS9029	←	For geared trolley connection
7	032	Yoke bolt	1	ER1CS9032	←	For connection yoke
8	033	Slotted nut	1	J1NL001-10100	←	For connection yoke
9	034	Split pin	1	J1PW01-025018	←	For connection yoke
10	031	Suspender T	1	ER2DS9031	←	For MR connection
11	121	Top pin	2	ER2CS9121	←	For body connection
12	123	Plate A	1	ER2CS9123	←	For top pin
13	124	Machine screw socket bolt	1	J1BG1-0601212	←	For plate A
14	186	Shaft clip	1	ER2CS9186	←	For top pin
15	331	Chain guide A	1	ER2CS9331	←	
16	332	Chain guide B	1	ER2CS9332	←	
17	346	Socket bolt with spring lock washer	4	J1BE1-0602525	←	For chain guide A, B
18	337	Limit lever	1	ER2CS9337	←	
19	338	Limit lever pin	1	ER2CS9338	←	
20	357	Limit lever spring	1	ER2CS9357	←	
21	053	Cushion rubber	2	ER1CS9053	←	
22	1041	Stopper assembly	1	ER1CS1041	←	
23	1011	Bottom hook complete set	1	ER2CS1011	←	
24	1002	Hook latch assembly	1	ER2CS1002	←	Bottom hook
25	BKT2-KITPC	BUCKET KIT PC	1	BKT2-KIT-PC	←	
26	1401	Chain container P assembly	1	ER2CS1401	←	Max. lifting height 6m
27	1416	Container spring assembly	1	ER2CS1416	←	
28	BKT2-KITC1	BUCKET KIT C1	1	BKT2-KIT-C1	←	For chain container (C1) assembly
	BKT2-KITC2	BUCKET KIT C2	1	BKT2-KIT-C2	←	For chain container (C2) assembly
29	5403	Chain container (C1) assembly	1	ER2CS5403	←	Max. lifting height 8m for fabric
	5405	Chain container (C2) assembly	1	ER2CS5405	←	Max. lifting height 15m for fabric
30	417	Socket bolt	1	J1BE1-0807528	←	Container hanger A for fabric container side
31	418	Lever nut	1	C2BA100-9074	←	Container hanger A for fabric container side
32	419	Socket bolt	1	J1BE1-0604508	←	Container hanger B for fabric container side
33	420	U nut	1	E5SE003S9855	←	Container hanger B for fabric container side
34	874	Load chain	1	KBAN060W	←	Nickel plating specification
35	1951	Lubricant tube assembly	1	ER2CS1951	←	Max. lifting height 6m

Load chain

Body size		ER2-C	
Type		ER2-005S/IS	ER2-005L/IL
Load chain number of falls		1	
Load chain wire diameter (mm)		φ6.0	
Wire length allowance (m)	Lifting height 4m/6m	0.39/0.40	
Total length (m)	Lifting height 4m/6m	4.39/6.40	

Controller cover electric component

ER2-005S,ER2-005L



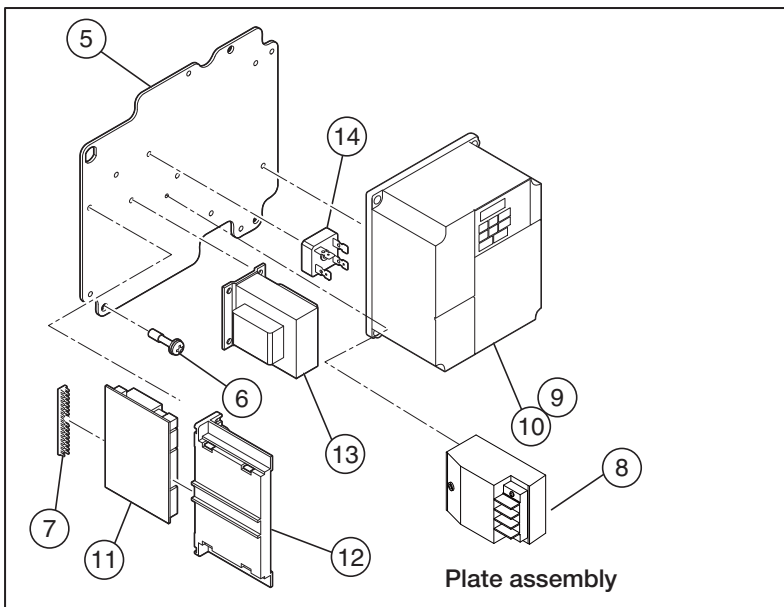
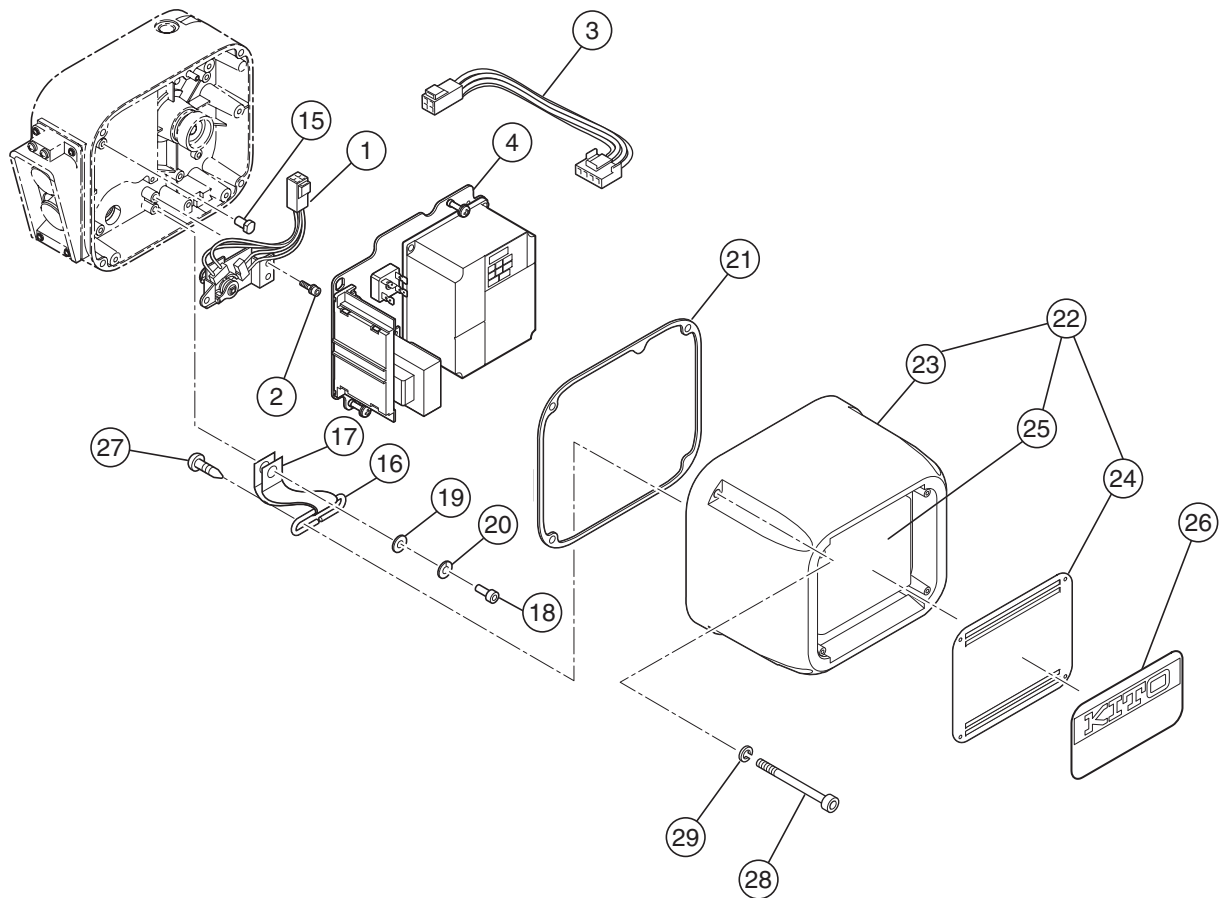
Controller cover electric component

ER2-005S,ER2-005L

Figure #	Part Number	Part Name	Quantity per unit	ER2-C		Remark
				ER2-005S	ER2-005L	
1	1060	Limit switch complete set	1	ER2C11060	←	
2	124	Machine screw socket bolt	3	J1BG1-0601212	←	For limit switch
3	1441	Plate assembly	1	ER2BFC05S5A2	ER2BFC05L5A2	230V
				ER2BFY05S5A2	ER2BFY05L5A2	400V
4	441	Plate	1	ER2CS9441	←	
5	445	Plate screw	3	ER1BS9445	←	
6	577	Transformer	1	TRF13C211	TRF12C211	230V
				TRF13Y211	TRF12Y211	400V
7	578	Electromagnetic contactor	1	MGC23402A	MGC22402A	For forward/reverse switching
8	580	Electromagnetic contactor	1	MGC14302C	←	For emergency stop
9	583	Lead wire	1	ER2BEE05S9A2	ER2BEE05L9A2	
10	582	CH meter	1	ECP91CHBA	←	
11	597	CH meter support	1	ECP99BKBA	←	
12	598	Rectifier	1	ECP93DIAA	←	
13	602	Fuse	1	ECP91FZ02	←	
14	603	Fuse holder	1	ECP92FZAA	←	
15	838	Name plate CH	1	ECP99CHAA	←	
16	449	Fulcrum pin	1	ER2CS9449	←	Plate rotation center pin
17	456	Cover suspender	1	ER2CS9456	←	
18	457	Cover belt	1	ER2CS9457	←	
19	458	Socket bolt	1	J1BE1-0601616	←	For belt (attached to gear case)
20	459	Plain washer	1	ER1BS9436	←	For belt (attached to gear case)
21	460	Spring lock washer	1	J1WS011-20060	←	For belt (attached to gear case)
22	117	Packing C	1	ER2CS9117	←	For controller cover
23	104	Controller cover	1	ER2CS9104	←	
24	801	Name plate B	1			
25	114	Pan head machine screw	2	J1AK2-5001212	←	For cover suspender (attached to controller cover)
26	153	Machine screw socket bolt	4	J1BG1-0504022	←	For controller cover

Controller cover electric component (Inverter dual speed)

ER2-005IS,ER2-005IL



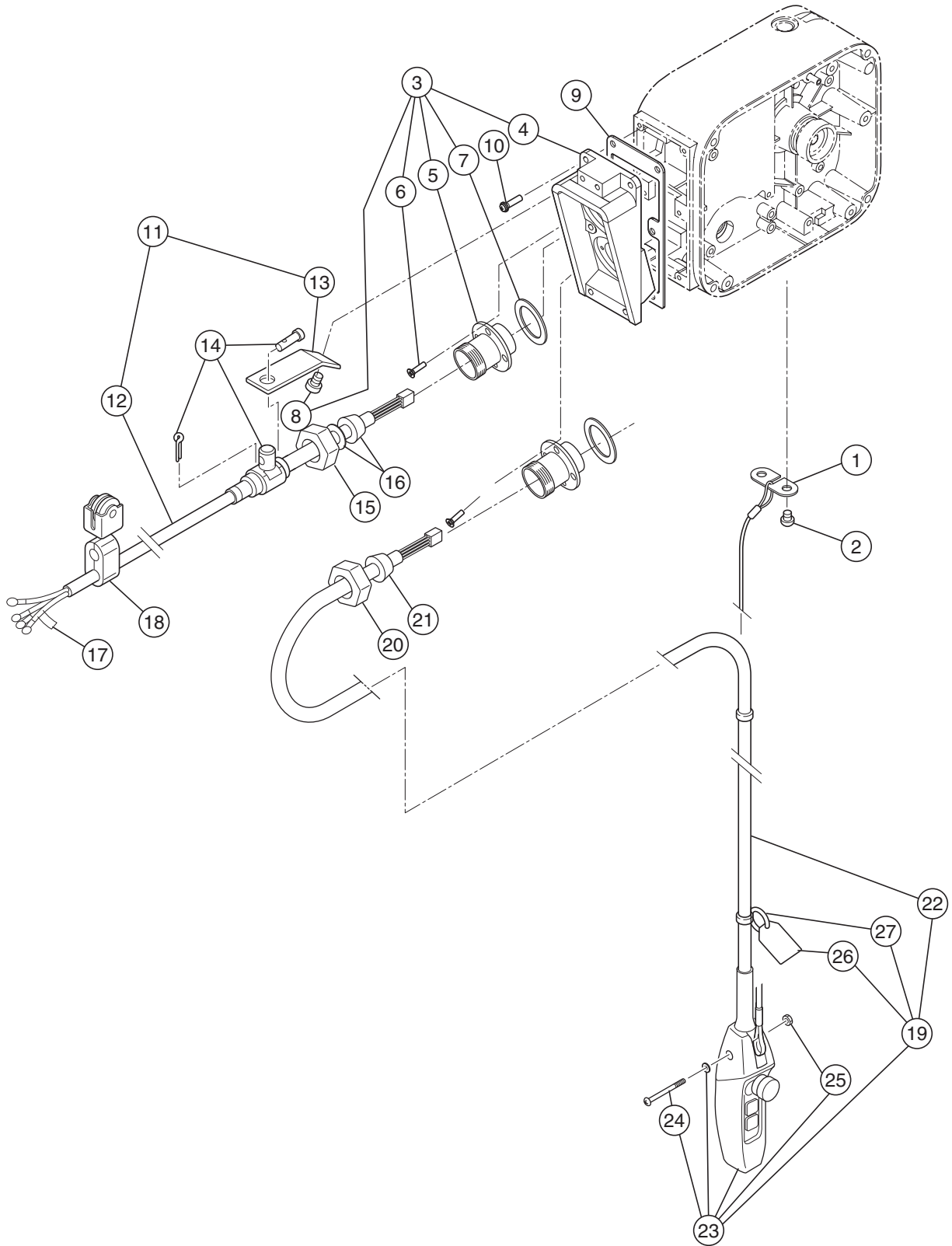
Controller cover electric component (Inverter dual speed)

ER2-005IS,ER2-005IL

Figure #	Part Number	Part Name	Quantity per unit	ER2-C		Remark
				ER2-005IS	ER2-005IL	
1	1060	Limit switch complete set	1	ER2CI1060	←	
2	124	Machine screw socket bolt	3	J1BG1-0601212	←	For limit switch
3	554	LS harness	1	ER2CI9554	←	
4	1441	Plate assembly	1	ER2BMC05I5A2	ER2BMC05J5A2	230V
				ER2BMY05I5A2	ER2BMY05J5A2	400V
5	441	Plate	1	ER2CI9450	←	
6	445	Plate screw	3	ER1BS9445	←	
7	448	Bushing	1	ECP99JBAC	←	
8	5463	Noise filter	1	ER2BMC05I9C1	←	230V
				ER2BMY05I9C1	←	400V
9	583	Lead wire	1	ER2BMC03I9A2	←	
10	1571	Inverter assembly	1	INV615C21	INV60FC21	230V
				INV615Y21	INV60FY21	400V
11	508	Interface board	1	ECP91KB01	←	
12	509	Board support	1	ECP99BKAA	←	
13	577	Transformer	1	TRF12C212	←	230V
				TRF12Y212	←	400V
14	598	Rectifier	1	ECP93DIAA	←	
15	449	Fulcrum pin	1	ER2CS9449	←	Plate rotation center pin
16	456	Cover suspender	1	ER2CS9456	←	
17	457	Cover belt	1	ER2CS9457	←	
18	458	Socket bolt	1	J1BE1-0601616	←	For cover belt (attached to gear case)
19	459	Plain washer	1	ER1BS9436	←	For cover belt (attached to gear case)
20	460	Spring lock washer	1	J1WS011-20060	←	For cover belt (attached to gear case)
21	117	Packing C	1	ER2CS9117	←	For controller cover
22	2104	Controller cover assembly	1	ER2CI2104	ER2CJ2104	230V
				ER2CI1104	ER2CJ1104	400V
23	104	Controller cover	1	ER2CI9104	←	
24	185	Resistor cover	1	ER2CI9185	←	
25	5505	Braking resistor assembly	1	INV709E16	INV70EE16	230V
				INV709Y16	INV70EY16	400V
26	801	Name plate B	1			
27	114	Pan head machine screw	2	J1AK2-5001212	←	For cover suspender (attached to controller cover)
28	153	Socket bolt	4	J1BE1-0504022	←	For controller cover
29	154	Toothed lock washer	4	J1WH012-10050	←	For controller cover

Power supply cable, push button (Direct connection)

ER2-005S/IS, ER2-005L/IL



3 push button cord complete set

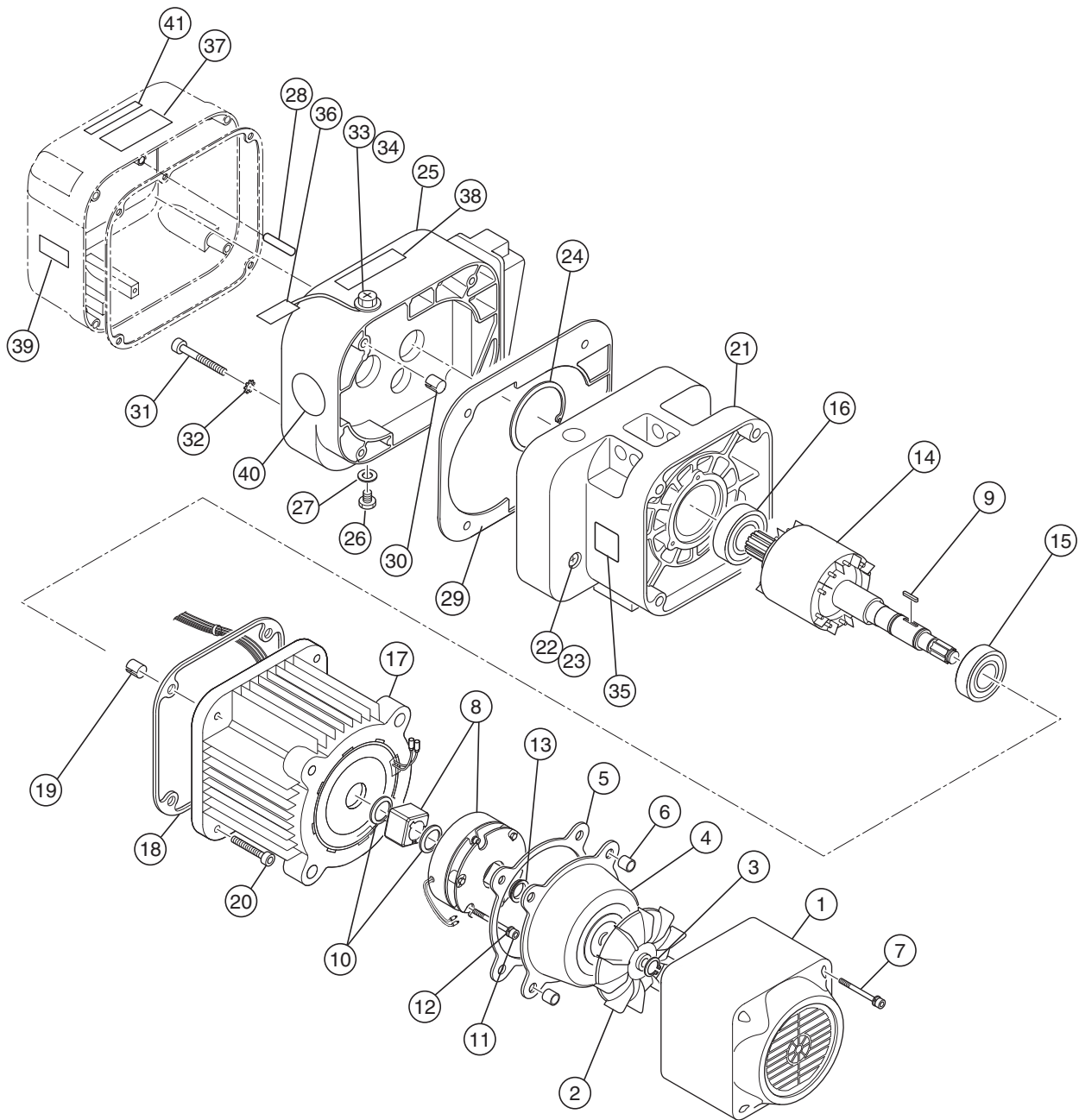
Power supply cable, push button (Direct connection)

ER2-005S/IS,ER2-005L/IL

Figure #	Part Number	Part Name	Quantity per unit	ER2-C		Remark
				ER2-005S/IS	ER2-005L/IL	
1	535	Cord support(wire stopper)	1	ER1BS9534	←	
2	536	Machine screw with spring washer	2	J1AP2-5001212	←	For cord support L
3	2511	Socket frame complete set	1	ER2CS2511	←	
4	511	Socket frame	1	ER2CS9511	←	
5	575	Holder C	2	ECP5924AL	←	
6	517	Tapping flat head machine screw	8	E6SE003S9551	←	For holder C
7	568	Holder packing	2	ECP5924AM	←	For holder C
8	546	Machine screw with spring washer	2	J1AP2-6001616	←	For cable support arm
9	512	Socket frame packing	1	ER2CS9512	←	
10	516	Machine screw with spring washer	6	J1AP-5002020	←	For socket frame
11	1521	Power supply cable 4C assembly	1	ZBZB12CJ1000	←	
12	521	Power supply cable 4C	1	VCT-KYN 4C×1.25mm2		
13	541	Cable support arm	1	ER1BS9541	←	
14	1542	Cable support 12 assembly	1	E7AX003S2822		
15	569	Holder A	1	ECP5924AA	←	
16	574	Cable packing	1	ECP6912AA	←	
17	823	Name plate G	1	E6LE010S9806	←	
18	1527	Cable hanger 14 assembly	n	X	X	
19	1557	3 push button cord 4C complete set	1			
20	341	Holder A	1	ECP5924AA	←	
21	351	Cable packing	1			
22	557	Push button cord 4C	1			
23	1561	3 push button switch assembly	1			
24	626	Machine screw	1	J1AP2-4002608	←	
25	627	Nut	1	J1AN004-10040	←	
26	567	Warning tag PB	1			
27	568	Tag holder	1	E7SE003S9787	←	

Body,gear case,motor

ER2-010S/IS,ER2-010L/IL

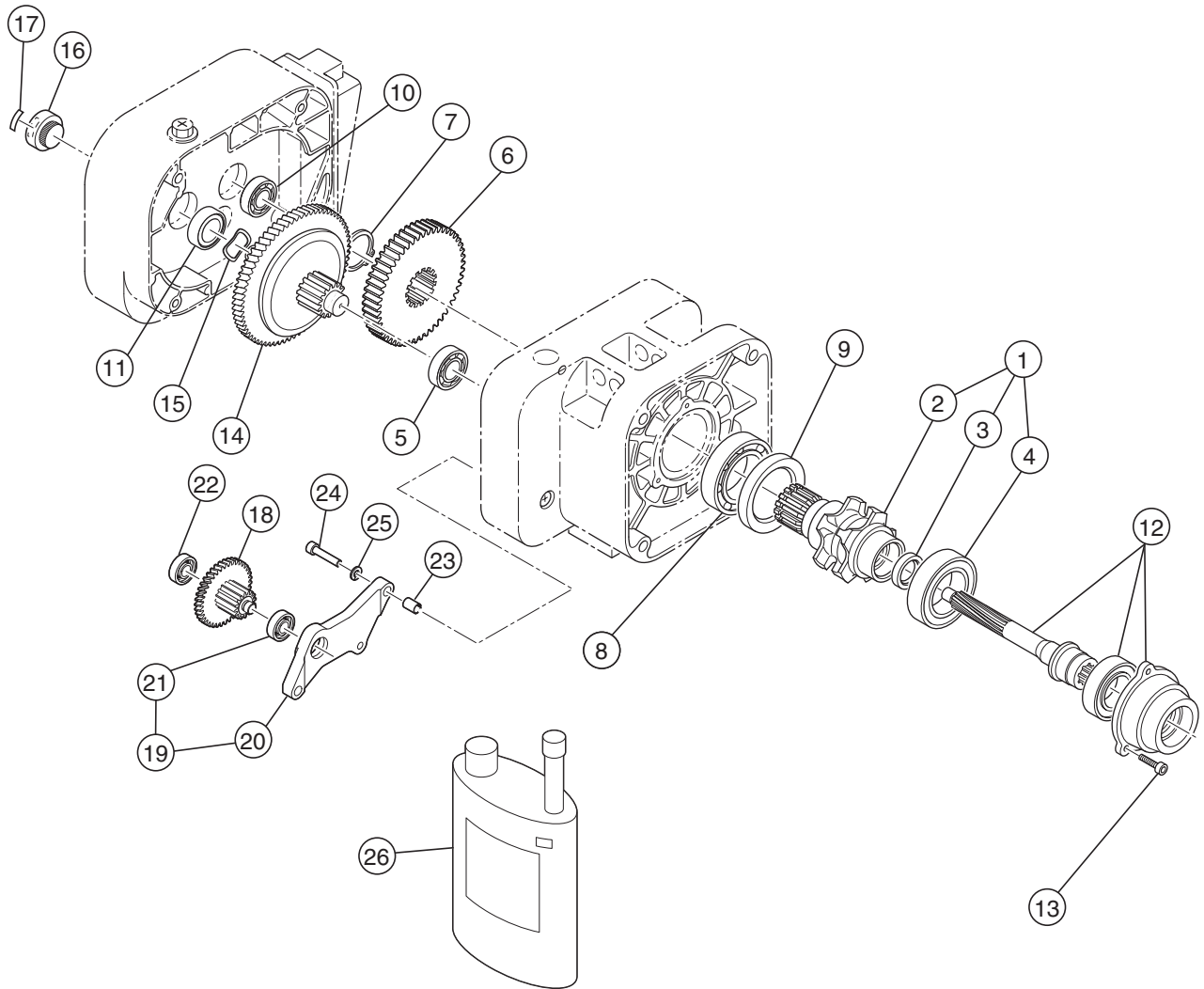


ER2-010S/IS,ER2-010L/IL

Figure #	Part Number	Part Name	Quantity per unit	ER2-D		Remark
				ER2-010S/IS	ER2-010L/IL	
1	107	Fan cover	1	ER2DS9107	ER2CS9107	
2	108	Fan	1	ER2DS9108	ER2CS9108	
3	323	Snap ring	1	J1SS000-00016	J1SS000-00013	For fan
4	115	Brake cover	1	ER2DS9115	ER2CS9115	
5	119	Packing B	1	ER2DS9119	ER2CS9119	For brake cover
6	140	Set pin S	2	E6SE005S9120	←	For fan cover, brake cover
7	160	Socket bolt	4	J1BE1-0504522	←	For fan cover, brake cover
8	1362	Electromagnetic brake assembly	1	MBABB18CA		230V
				MBABB18YA		400V
9	360	Key B	1	ER2DS9360	ER2CS9360	For electromagnetic brake
10	361	Snap ring	2	J1SS000-00024	←	For electromagnetic brake
11	167	Socket bolt	3	J1BE1-0604024	←	For electromagnetic brake
12	168	Spring lock washer	3	J1WS011-20060	←	For electromagnetic brake
13	210	V ring	1	ER2DS9210	ER2CS9210	Packing between motor shaft and brake cover
14	5502	Motor shaft with rotor	1	ER2DS5502	ER2DL5502	
15	202	Ball bearing	1	J1GR0C0-06005	←	For motor frame
16	208	Ball bearing	1	J1GR050-06022	←	For bearing holder (for motor shaft)
17	5501	Motor frame with stator	1	ER2BFC10S5A1		230V
				ER2BFY10S5A1		400V
18	118	Packing M	1	ER2DS9118	←	For motor frame
19	138	Set pin S	2	ER1DS9138	←	For motor frame
20	155	Socket bolt	4	J1BE1-1003535	←	For motor frame
21	101	Body B	1	ER2DS9101	←	Dedicated body for friction
22	133	Oil plug	1	E5FE003S9111	←	
23	136	Plug packing	1	E2YS005-9109	←	For oil plug
24	207	Snap ring	1	J1SR000-00068	←	
25	6103	Gear case	1	ER2DS6103	←	
26	133	Oil plug	1	E5FE003S9111	←	For gear case
27	136	Plug packing	1	E2YS005-9109	←	For oil plug
28	139	Spring pin	1	J1PS11-060025	←	
29	116	Packing G	1	ER2DS9116	←	For gear case
30	137	Set pin S	2	E6SE005S9120	←	For gear case
31	151	Socket bolt	4	J1BE1-0606024	←	For gear case
32	152	Toothed lock washer	4	J1WH012-10060	←	For gear case
33	135	Oil plug B	1	ER1BS9135	←	For gear case
34	173	Eyebolt packing	1	E2YS005-9116	←	For oil plug B
35	960	Name plate load side E	1	ER1BS9960	←	Load side
36	953	Oil Full tag	1	ER1BS9953	←	
37	935	Warning sticker E	1	ER2CS9937	←	
38	810	Name plate OF	1			
39	836	Name plate L	1	X	X	Limit switch specification
40	868	Name plate AD	1	ER1BS9868	ER1BL9868	Speed display
41	820	Warning sticker HW	1	ER2CI9806	←	For inverter dual speed

Pinion, friction, gear

ER2-010S/IS, ER2-010L/IL

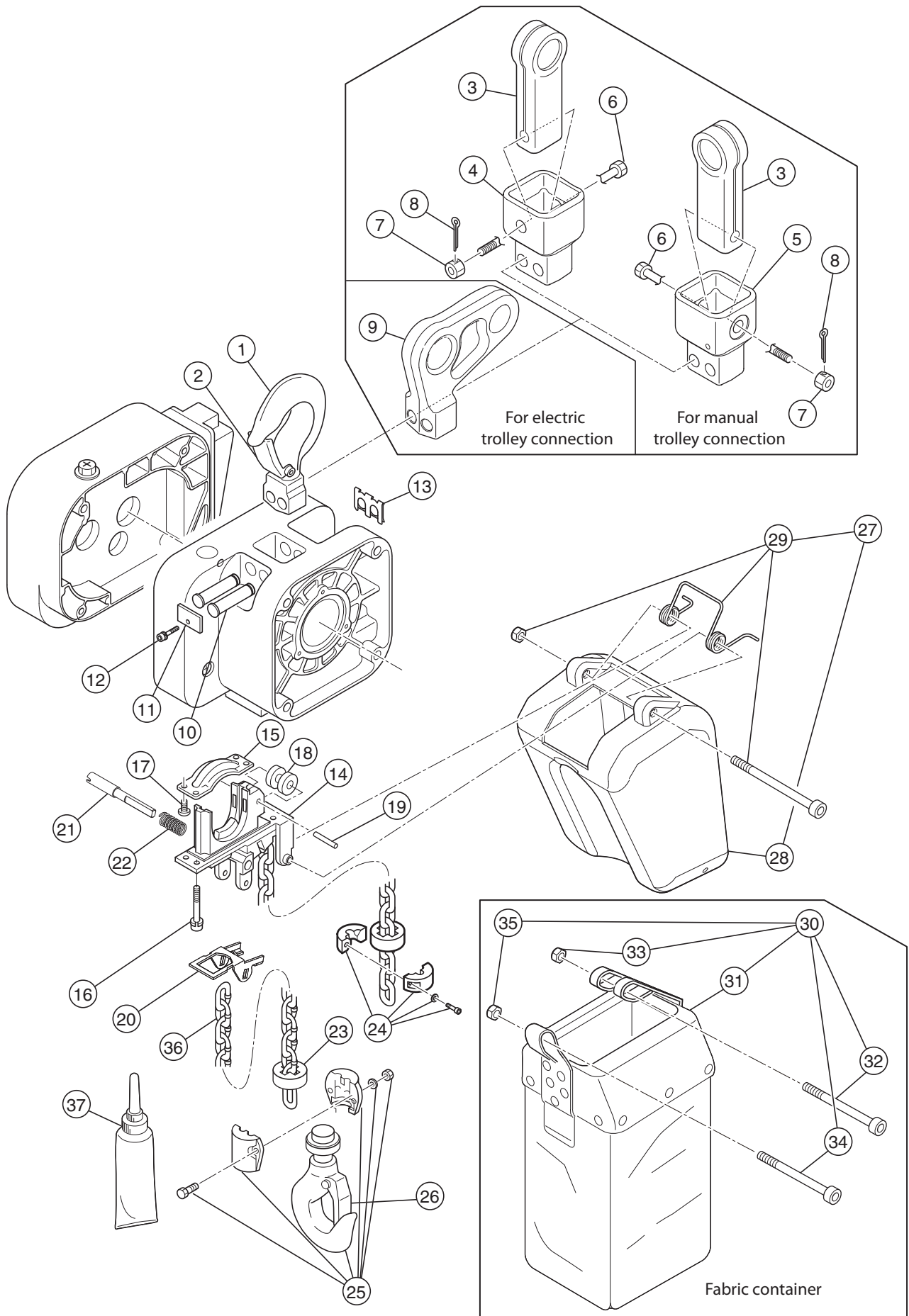


ER2-010S/IS,ER2-010L/IL

Figure #	Part Number	Part Name	Quantity per unit	ER2-D		Remark
				ER2-010S/IS	ER2-010L/IL	
1	6241	Load sheave assembly	1	ER2DS6241	←	
2	241	Load sheave	1	ER2DS9241	←	
3	221	Oil seal	1	E5SE010S9221	←	For pinion
4	242	Ball bearing	1	J1GR0B0-06009	←	For load sheave (motor side)
5	238	Ball bearing	1	J1GR000-06004	J1GR000-06302	For gear #3 (body side)
6	240	Load gear	1	ER2DS9240	←	
7	245	Snap ring	1	J1SS000-00040	←	For load gear
8	243	Ball bearing	1	J1GR000-06008	←	For load sheave (gear case side)
9	244	Oil seal	1	E5SE010S9232	←	For load sheave (gear case side)
10	222	Ball bearing	1	J1GR0A0-06301	←	For pinion (gear case side)
11	233	Oil seal 22	1	E6LE005S9235	←	For seal collar
12	5220	Pinion assembly	1	ER2DS5220	←	With bearing holder
13	164	Socket bolt	3	J1BE1-0501818	←	For bearing holder
14	1223	Friction clutch complete set	1	ER2DS1223	ER2DL1223	
15	234	Wave washer	1	E1DBX20S9311	←	
16	235	Nut cover	1	ER1CS9235	←	
17	840	Name plate FP	1	ER1BS9892	←	
18	5262	Gear B assembly	1	X	ER2DL5262	
19	6261	Gear holder plate assembly	1	X	ER2DL6261	
20	261	Gear holder plate	1	X	ER2DL9261	
21	264	Ball bearing	1	X	J1GR000-06001	
22	266	Ball bearing	1	X	J1GR0A0-06000	Gear B (gear case side)
23	270	Set pin S	2	X	E6SE005S9120	For gear holder plate
24	271	Socket bolt	3	X	J1BE1-0603030	For gear holder plate
25	272	Spring lock washer	3	X	J1WS011-20060	For gear holder plate
26	1855S	Oil pot F (0.7L)	1	ER1BS1855	←	

Top/bottom hook,load chain,chain guide,chain container

ER2-010S/IS,ER2-010L/IL



Top/bottom hook,load chain,chain guide,chain container

ER2-010S/IS,ER2-010L/IL

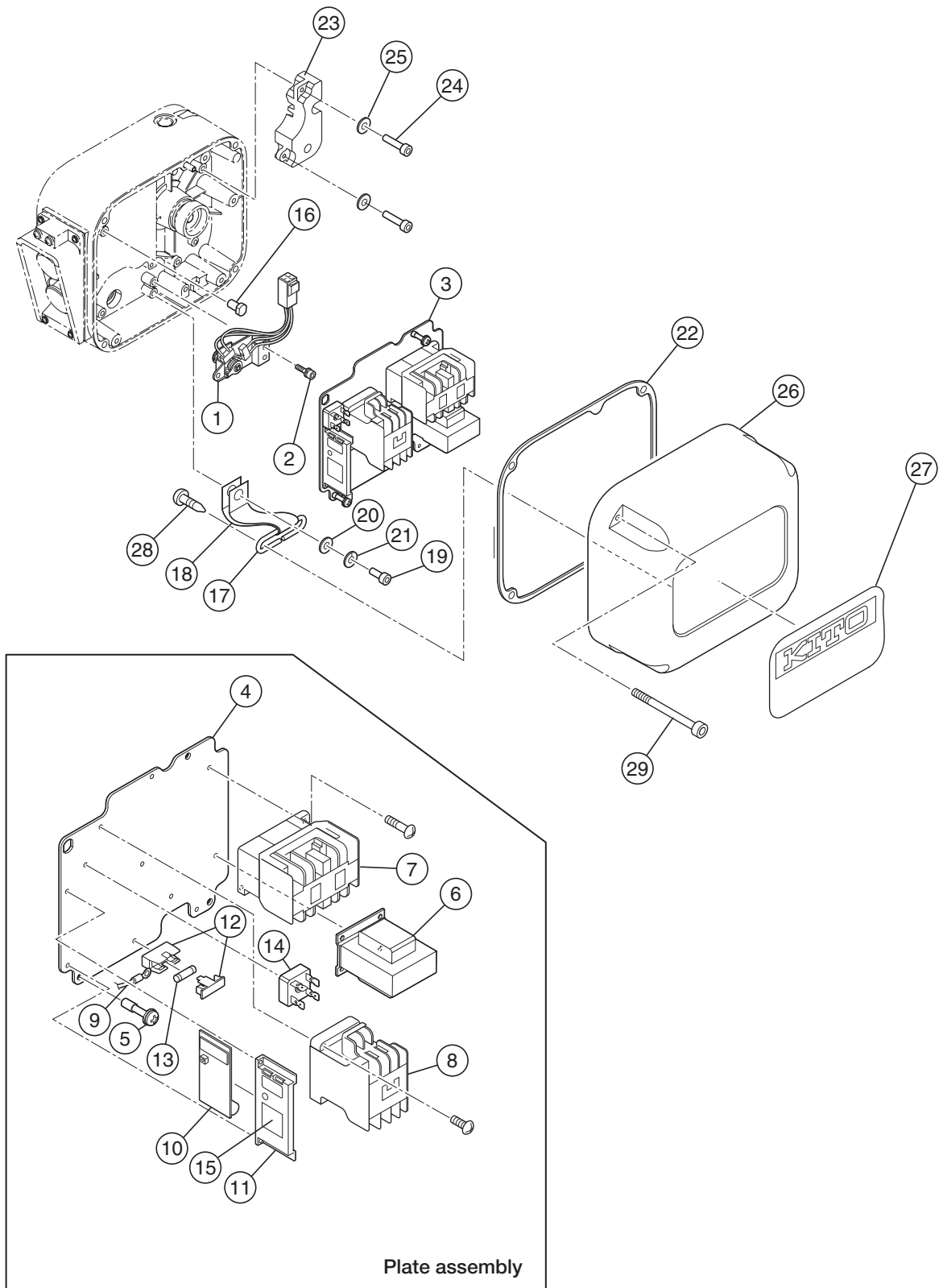
Figure #	Part Number	Part Name	Quantity per unit	ER2-D		Remark
				ER2-010S/IS	ER2-010L/IL	
1	1001	Top hook assembly	1	ER2DS1001	←	
2	1002	Hook latch assembly	1	ER2DS1002	←	For top hook
3	004	Suspender	1	T7GB010-9004	←	For plain trolley, geared trolley connection
4	027	Connection yoke P	1	ER2CS9027	←	For plain trolley connection
5	029	Connection yoke G	1	ER2CS9029	←	For geared trolley connection
6	032	Yoke bolt	1	ER1CS9032	←	For connection yoke
7	033	Slotted nut	1	J1NL001-10100	←	For connection yoke
8	034	Split pin	1	J1PW01-025018	←	For connection yoke
9	031	Suspender T	1	ER2DS9031	←	For MR connection
10	121	Top pin	2	ER2CS9121	←	For body connection
11	123	Plate A	1	ER2CS9123	←	For top pin
12	124	Machine screw socket bolt	1	J1BG1-0601212	←	For plate A
13	186	Shaft clip	1	ER2CS9186	←	For top pin
14	331	Chain guide A	1	ER2DS9331	←	
15	332	Chain guide B	1	ER2DS9332	←	
16	346	Socket bolt with spring lock washer	4	J1BE1-0803030	←	For chain guide A
17	348	Machine screw with spring washer	4	J1AP2-5001212	←	For chain guide B
18	333	Guide roller	1	ER2DS9333	←	
19	334	Roller pin	1	ER1CS9334	←	
20	337	Limit lever	1	ER2DS9337	←	
21	338	Limit lever pin	1	ER2DS9338	←	
22	357	Limit lever spring	1	ER2CS9357	←	
23	053	Cushion rubber	2	ER1DS9053	←	
24	1041	Stopper assembly	1	ER1DS1041	←	
25	1011	Bottom hook complete set	1	ER2DS1011	←	
26	1002	Hook latch assembly	1	ER2DS1002	←	Bottom hook
27	BKT2-KITPD	BUCKET KIT PD	1	BKT2-KIT-PD	←	
28	1401	Chain container P assembly	1	ER2DS1401	←	Max. lifting height 6m
29	1416	Container spring assembly	1	ER2DS1416	←	
30	BKT2-KITD1	BUCKET KIT D1	1	BKT2-KIT-D1	←	For chain container (D1) assembly
	BKT2-KITD2	BUCKET KIT D2	1	BKT2-KIT-D2	←	For chain container (D2) assembly
31	5403	Chain container (D1) assembly	1	ER2DS5403	←	Max. lifting height 8m
	5405	Chain container (D2) assembly	1	ER2DS5405	←	Max. lifting height 15m
32	417	Socket bolt	1	J1BE1-0809028	←	Container hanger A side
33	418	Lever nut	1	C2BA100-9074	←	Container hanger A side
34	419	Socket bolt	1	J1BE1-0604508	←	Container hanger B side
35	420	U nut	1	E5SE003S9855	←	Container hanger B side
36	874	Load chain	1	KBAN077W	←	Nickel plating specification
37	1951	Lubricant tube assembly	1	ER2CS1951	←	

Load chain

Body size		ER2-D	
Type		ER2-010S/IS	ER2-010L/IL
Load chain number of falls		1	
Load chain wire diameter (mm)		φ7.7	
Wire length allowance (m)	Lifting height 4m/6m	0.43/0.46	
Total length (m)	Lifting height 4m/6m	4.43/6.46	

Controller cover electric component

ER2-010S,ER2-010L



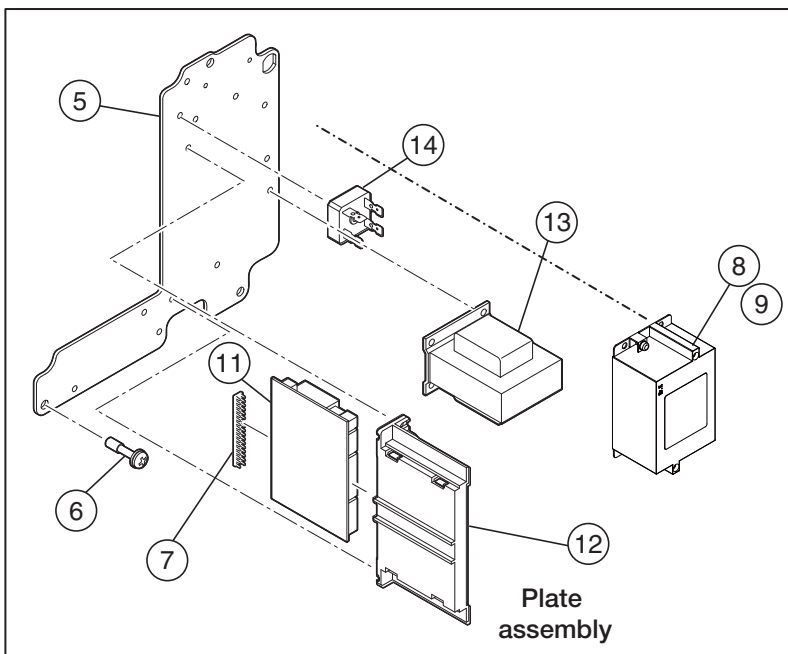
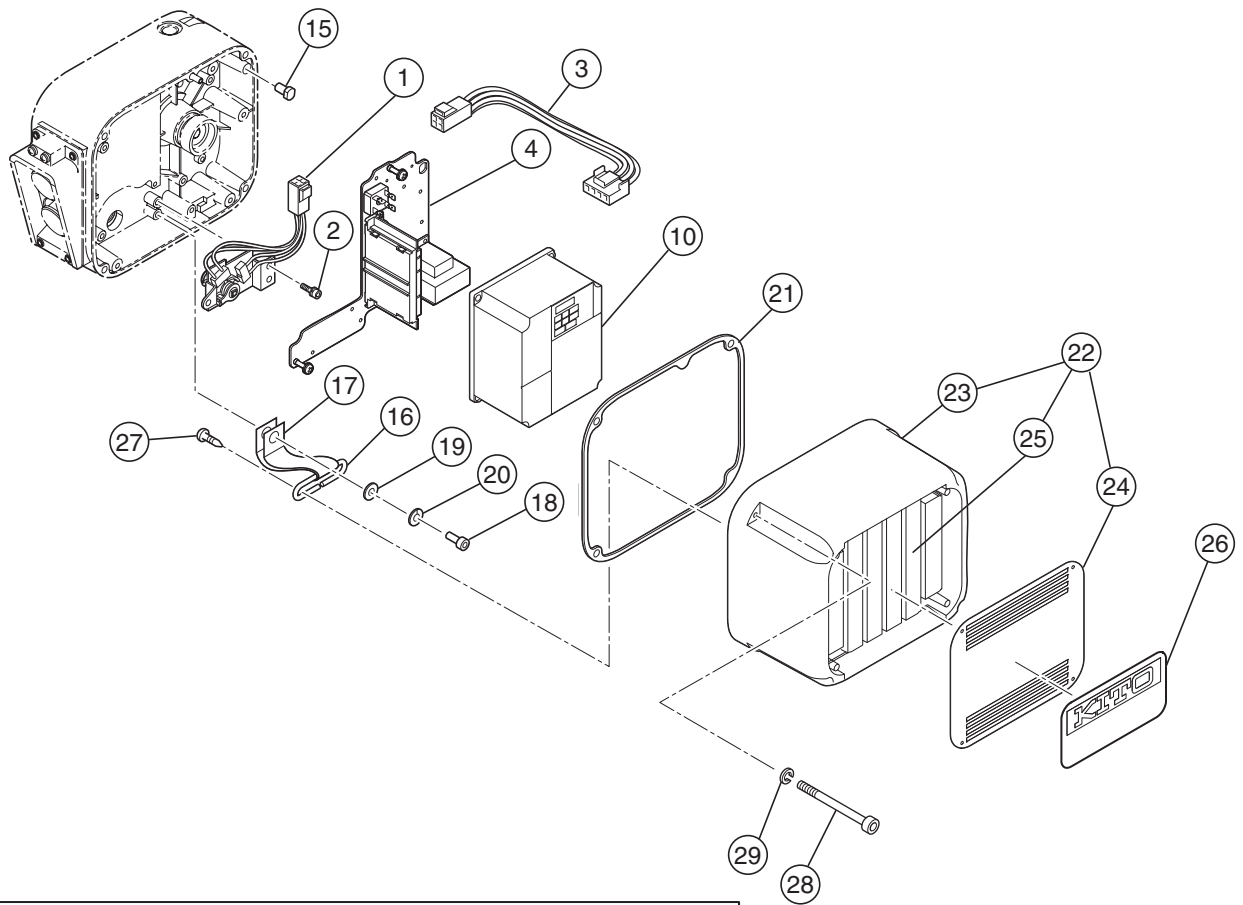
Controller cover electric component

ER2-010S,ER2-010L

Figure #	Part Number	Part Name	Quantity per unit	ER2-D		Remark
				ER2-010S	ER2-010L	
1	1060	Limit switch complete set	1	ER2CI1060	←	
2	124	Machine screw socket bolt	3	J1BG1-0601212	←	For limit switch
3	1441	Plate assembly	1	ER2BFC10S5A2	←	230V
				ER2BFY10S5A2	←	400V
4	441	Plate	1	ER2DS9441	←	
5	445	Plate screw	3	ER1BS9445	←	
6	577	Transformer	1	TRF13C211	←	230V
				TRF13Y211	←	400V
7	578	Electromagnetic contactor	1	MGC23402A	←	For forward/reverse switching
8	580	Electromagnetic contactor	1	MGC14302C	←	For emergency stop
9	583	Lead wire	1	ER2BEE05S9A2	←	
10	582	CH meter	1	ECP91CHBA	←	
11	597	CH meter support	1	ECP99BKBA	←	
12	598	Rectifier	1	ECP93DIAA	←	
13	602	Fuse	1	ECP91FZ02	←	
14	603	Fuse holder	1	ECP92FZAA	←	
15	838	Name plate CH	1	ECP99CHAA	←	
16	449	Fulcrum pin	1	ER2CS9449	←	Plate rotation center pin
17	456	Cover suspender	1	ER2CS9456	←	
18	457	Cover belt	1	ER2CS9457	←	
19	458	Socket bolt	1	J1BE1-0601616	←	For cover belt (attached to gear case)
20	459	Plain washer	1	ER1BS9436	←	For cover belt (attached to gear case)
21	460	Spring lock washer	1	J1WS011-20060	←	For cover belt (attached to gear case)
22	117	Packing C	1	ER2DS9117	←	For controller cover
23	109	Balancer	1	ER2DS9109	X	
24	162	Socket bolt	2	J1BE1-0602222	X	For balancer
25	163	Spring lock washer	2	J1WS011-20060	X	For balancer
26	104	Controller cover	1	ER2DS9104	←	
27	801	Name plate B	1			
28	114	Pan head machine screw	2	J1AK2-5001212	←	For cover suspender (attached to controller cover)
29	153	Machine screw socket bolt	4	J1BG1-0604024	←	For controller cover

Controller cover electric component (Inverter dual speed)

ER2-010IS,ER2-010IL



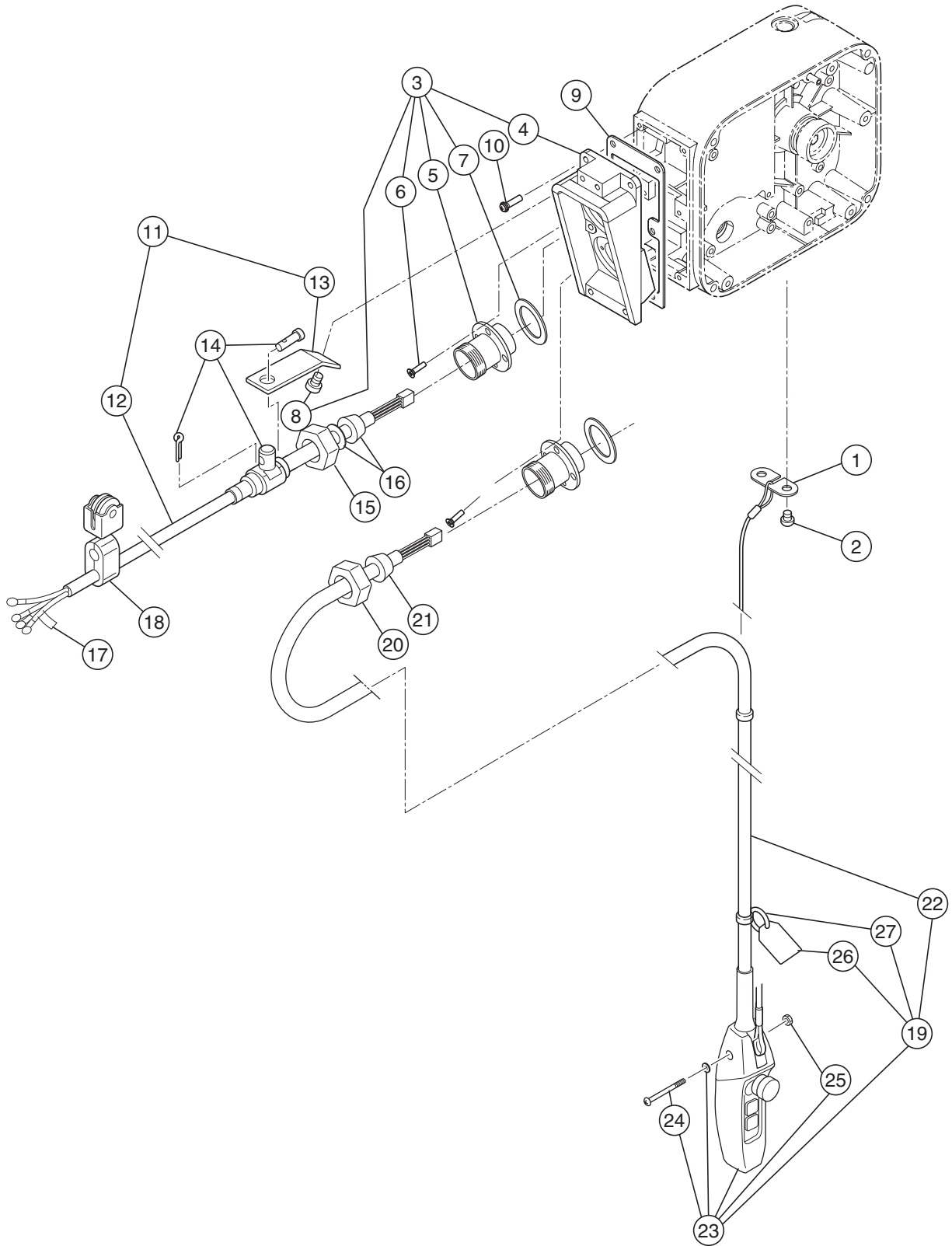
Controller cover electric component (Inverter dual speed)

ER2-010IS,ER2-010IL

Figure #	Part Number	Part Name	Quantity per unit	ER2-D		Remark
				ER2-010IS	ER2-010IL	
1	1060	Limit switch complete set	1	ER2CI1060	←	
2	124	Machine screw socket bolt	3	J1BG1-0601212	←	For limit switch
3	554	LS harness	1	ER2CI9554	←	
4	1441	Plate assembly	1	ER2BMC10I5A2	ER2BMC10J5A2	230V
				ER2BMY10I5A2	ER2BMY10J5A2	400V
5	441	Plate	1	ER2DI9441	←	
6	445	Plate screw	3	ER1BS9445	←	
7	448	Bushing	1	ECP99JBAC	←	For interface board fixing
8	5463	Noise filter	1	ER2BMC05I9C1	←	230V
				ER2BMY05I9C1	←	400V
9	583	Lead wire	1	ER2BMC10I9A2	←	
10	1571	Inverter assembly	1	INV622C21	INV615C21	230V
				INV622Y21	INV615Y21	400V
11	508	Interface board	1	ECP91KB01	←	
12	509	Board support	1	ECP99BKAA	←	
13	577	Transformer	1	TRF12C212	←	230V
				RF12Y212	←	400V
14	598	Rectifier	1	ECP93DIAA	←	
15	449	Fulcrum pin	1	ER2CS9449	←	Plate rotation center pin
16	456	Cover suspender	1	ER2CS9456	←	
17	457	Cover belt	1	ER2CS9457	←	
18	458	Socket bolt	1	J1BE1-0601616	←	For cover belt (attached to gear case)
19	459	Plain washer	1	ER1BS9436	←	For cover belt (attached to gear case)
20	460	Spring lock washer	1	J1WS011-20060	←	For cover belt (attached to gear case)
21	117	Packing C	1	ER2DS9117	←	For controller cover
22	2104	Controller cover assembly	1	ER2DI2104	ER2DJ2104	230V
				ER2DI1104	ER2DJ1104	400V
23	104	Controller cover	1	ER2DI9104	←	
24	185	Resistor cover	1	ER2DI9185	←	
25	5505	Braking resistor assembly	1	INV718E16	INV709E16	230V
				INV718Y16	INV709Y16	400V
26	800	Name plate B	1			
27	114	Pan head machine screw	2	J1AK2-5001212	←	For cover suspender (attached to controller cover)
28	153	Socket bolt	4	J1BE1-0604024	←	For controller cover
29	154	Toothed lock washer	4	J1WH012-10060	←	For controller cover

Power supply cable, push button (Direct connection)

ER2-010S/IS, ER2-010L/IL



3 push button cord complete set

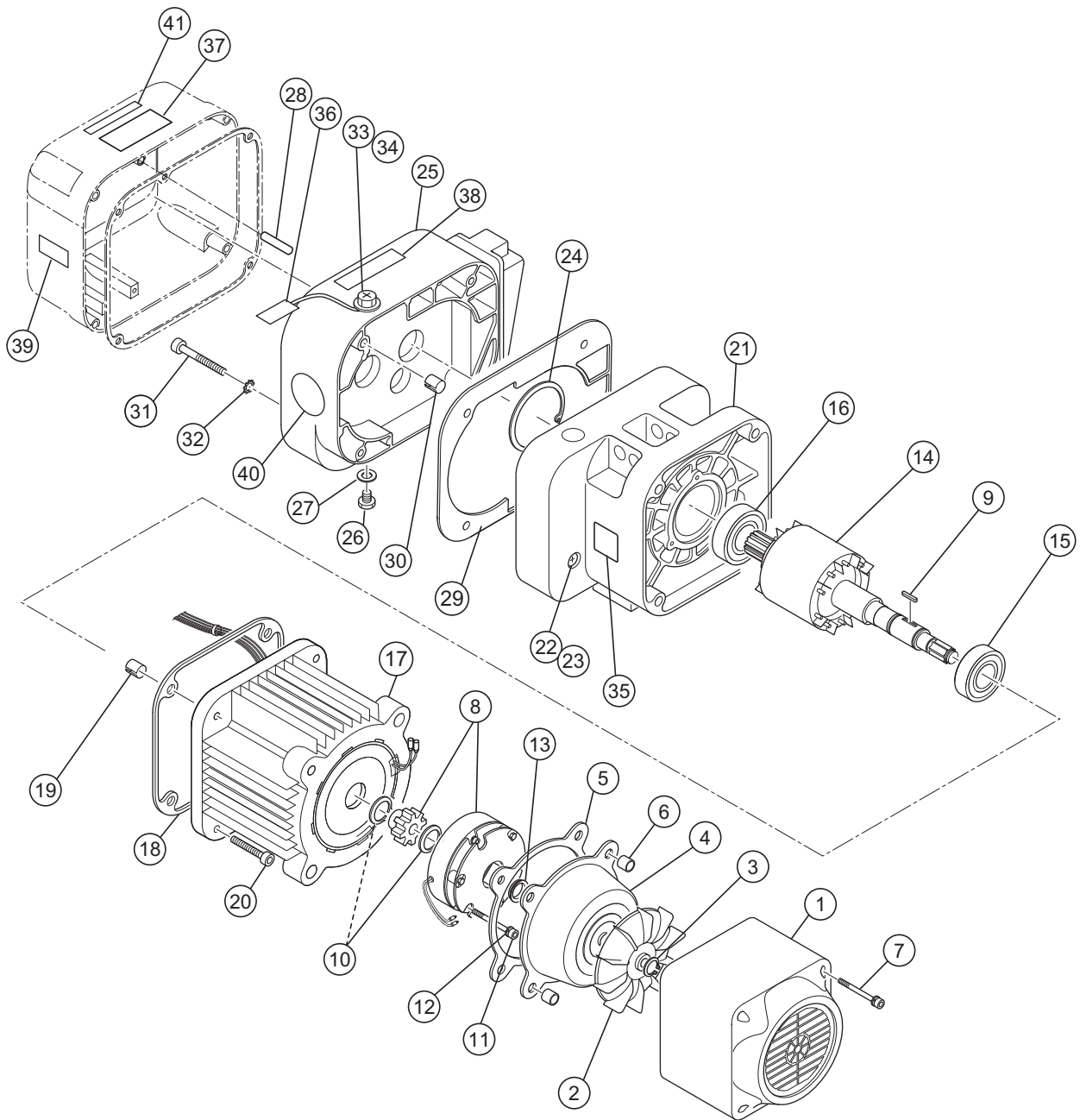
Power supply cable, push button (Direct connection)

ER2-010S/IS,ER2-010L/IL

Figure #	Part Number	Part Name	Quantity per unit	ER2-D		Remark
				ER2-010S/IS	ER2-010L/IL	
1	535	Cord support(wire stopper)	1	ER1BS9534	←	
2	536	Machine screw with spring washer	2	J1AP2-5001212	←	For cord support L
3	2511	Socket frame complete set	1	ER2CS2511	←	
4	511	Socket frame	1	ER2CS9511	←	
5	575	Holder C	2	ECP5924AL	←	
6	517	Tapping flat head machine screw	8	E6SE003S9551	←	For holder C
7	568	Holder packing	2	ECP5924AM	←	For holder C
8	546	Machine screw with spring washer	2	J1AP2-6001616	←	For cable support arm
9	512	Socket frame packing	1	ER2CS9512	←	
10	516	Machine screw with spring washer	6	J1AP-5002020	←	For socket frame
11	1521	Power supply cable 4C assembly	1	ZBZB12CJ1000	←	
12	521	Power supply cable 4C	1	VCT-KYN 4C×1.25mm ²		
13	541	Cable support arm	1	ER1BS9541	←	
14	1542	Cable support 12 assembly	1	E7AX003S2822		
15	569	Holder A	1	ECP5924AA	←	
16	574	Cable packing	1	ECP6912AA	←	
17	823	Name plate G	1	E6LE010S9806	←	
18	1527	Cable hanger 14 assembly	n	X	X	
19	1557	3 push button cord 4C complete set	1			
20	341	Holder A	1	ECP5924AA	←	
21	351	Cable packing	1			
22	557	Push button cord 4C	1			
23	1561	3 push button switch assembly	1			
24	626	Machine screw	1	J1AP2-4002608	←	
25	627	Nut	1	J1AN004-10040	←	
26	567	Warning tag PB	1			
27	568	Tag holder	1	E7SE003S9787	←	

Body,gear case,motor

ER2-016S/IS,ER2-020S/IS,ER2-020L/IL,ER2-032S/IS

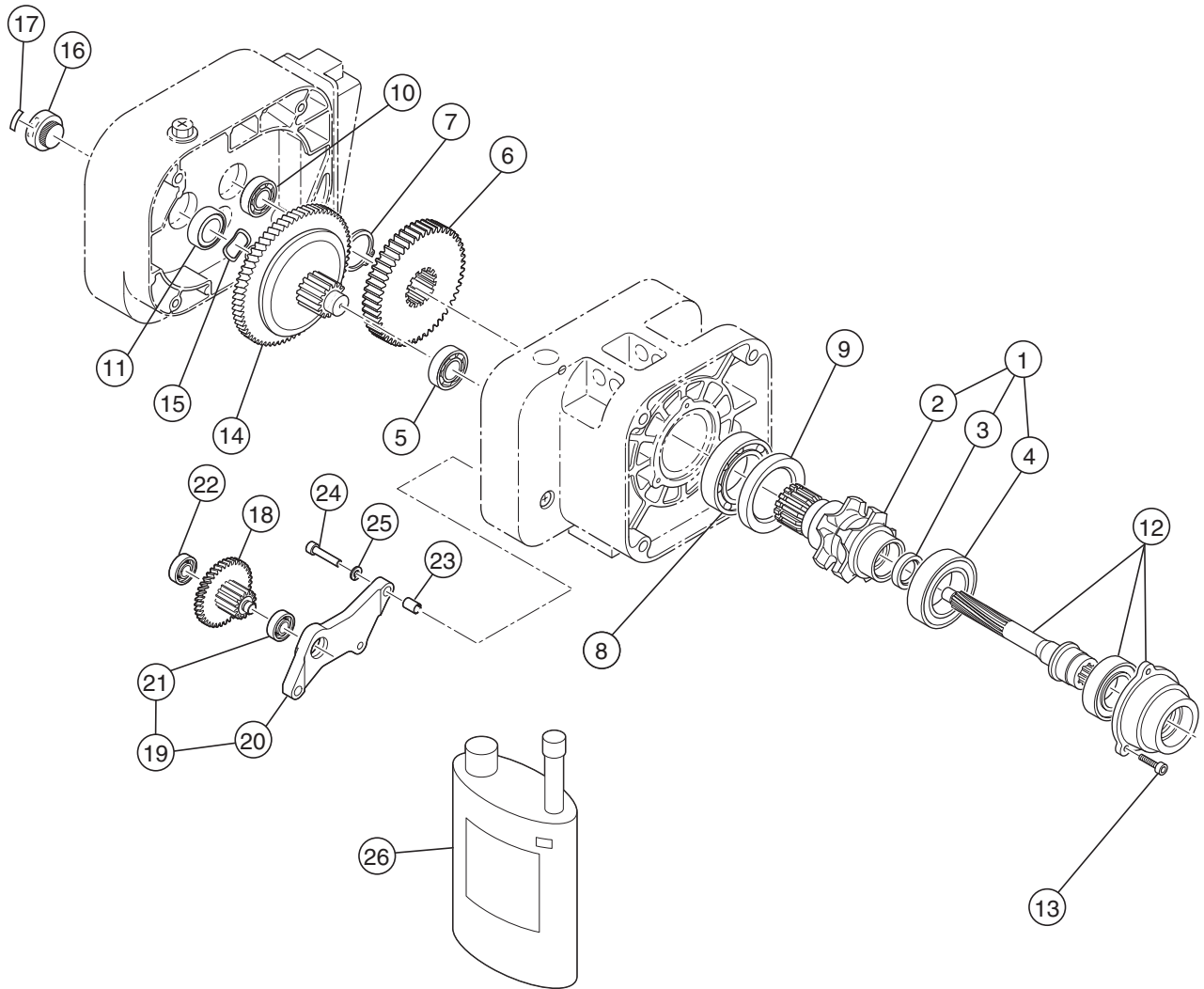


ER2-016S/IS,ER2-020S/IS,ER2-020L/IL,ER2-032S/IS

Figure #	Part Number	Part Name	Quantity per unit	ER2-E				Remark
				ER2-016S/IS	ER2-020S/IS	ER2-020L/IL	ER2-032S/IS	
1	107	Fan cover	1	ER2DS9107	ER2ES9107	ER2DS9107	ER2ES9107	
2	108	Fan	1	ER2DS9108	ER2ES9108	ER2DS9108	ER2ES9108	
3	323	Snap ring	1	J1SS000-00016	J1SS000-00022	J1SS000-00016	J1SS000-00022	For fan
4	115	Brake cover	1	ER2DS9115	ER2ES9115	ER2DS9115	ER2ES9115	
5	119	Packing B	1	ER2DS9119	ER2ES9119	ER2DS9119	ER2ES9119	For brake cover
6	140	Set pin S	2	E6SE005S9120	←	←	←	For fan cover, brake cover
7	160	Socket bolt	4	J1BE1-0504522	J1BE1-0604524	J1BE1-0504522	J1BE1-0604524	For fan cover, brake cover
8	1362	Electromagnetic brake assembly	1	MBABB18CA	MBABB35CA	MBABB18CA	MBABB35CA	230V
				MBABB18YA	MBABB35YA	MBABB18YA	MBABB35YA	400V
9	360	Key B	1	ER2DS9360	ER2ES9360	ER2DS9360	ER2ES9360	For electromagnetic brake
10	361	Snap ring	1	X	J1SS000-00030	X	J1SS000-00030	For electromagnetic brake
	361	Snap ring	2	J1SS000-00024	X	J1SS000-00024	X	For electromagnetic brake
11	167	Socket bolt	3	J1BE1-0604024	J1BE1-0805028	J1BE1-0604024	J1BE1-0805028	For electromagnetic brake
12	168	Spring lock washer	3	J1WS011-20060	J1WS011-20080	J1WS011-20060	J1WS011-20080	For electromagnetic brake
13	210	V ring	1	ER2DS9210	ER2ES9210	ER2DS9210	ER2ES9210	Packing between motor shaft and brake cover
14	5502	Motor shaft with rotor	1	ER2EL5502	ER2ES5502	ER2EL5502	ER2ES5502	
15	202	Ball bearing	1	J1GR0C0-06005	J1GR0C0-06007	J1GR0C0-06005	J1GR0C0-06007	For motor frame
16	208	Ball bearing	1	J1GR0C0-06006	←	←	←	For bearing holder (for motor shaft)
17	5501	Motor frame with stator	1	ER2BFC20L5A1	ER2BFC20S5A1	ER2BFC20L5A1	ER2BFC20S5A1	230V
				ER2BFY20L5A1	ER2BFY20S5A1	ER2BFY20L5A1	ER2BFY20S5A1	400V
18	118	Packing M	1	ER2ES9118	←	←	←	For motor frame
19	138	Set pin S	2	ER2ES9138	←	←	←	For motor frame
20	155	Socket bolt	4	J1BE1-1204040	←	←	←	For motor frame
21	101	Body B	1	ER2ES9101	←	←	←	
22	133	Oil plug	1	E5FE003S9111	←	←	←	
23	136	Plug packing	1	E2YS005-9109	←	←	←	For oil plug
24	207	Snap ring	1	J1SR000-00080	←	←	←	
25	6103	Gear case	1	ER2EL6103	ER2ES6103	ER2EL6103	ER2ES6103	
26	133	Oil plug	1	E5FE003S9111	←	←	←	For gear case
27	136	Plug packing	1	E2YS005-9109	←	←	←	For oil plug
28	139	Spring pin	1	J1PS11-060025	←	←	←	
29	116	Packing G	1	ER2ES9116	←	←	←	For gear case
30	137	Set pin S	2	E6SE010S9120	←	←	←	For gear case
31	151	Socket bolt	4	J1BE1-0806028	J1BE1-0809028	J1BE1-0806028	J1BE1-0809028	For gear case
32	152	Toothed lock washer	4	J1WH012-10080	←	←	←	For gear case
33	135	Oil plug B	1	ER1BS9135	←	←	←	For gear case
34	173	Eyebolt packing	1	E2YS005-9116	←	←	←	For oil plug B
35	960	Name plate load side	1	ER1BS9960	←	←	←	Load side
36	953	Oil Full tag	1	ER1BS9953	←	←	←	
37	935	Warning sticker E	1	ER2CS9937	←	←	←	
38	810	Name plate OF	1					
39	836	Name plate L	1	X	X	X	X	Limit switch specification
40	868	Name plate AD	1	ER1BS9868	←	ER1BL9868	ER1BS9868	Speed display
41	820	Warning sticker HW	1	ER2CI9806	←	←	←	For inverter dual speed

Pinion,friction,gear

ER2-016S/IS,ER2-020S/IS,ER2-020L/IL,ER2-032S/IS

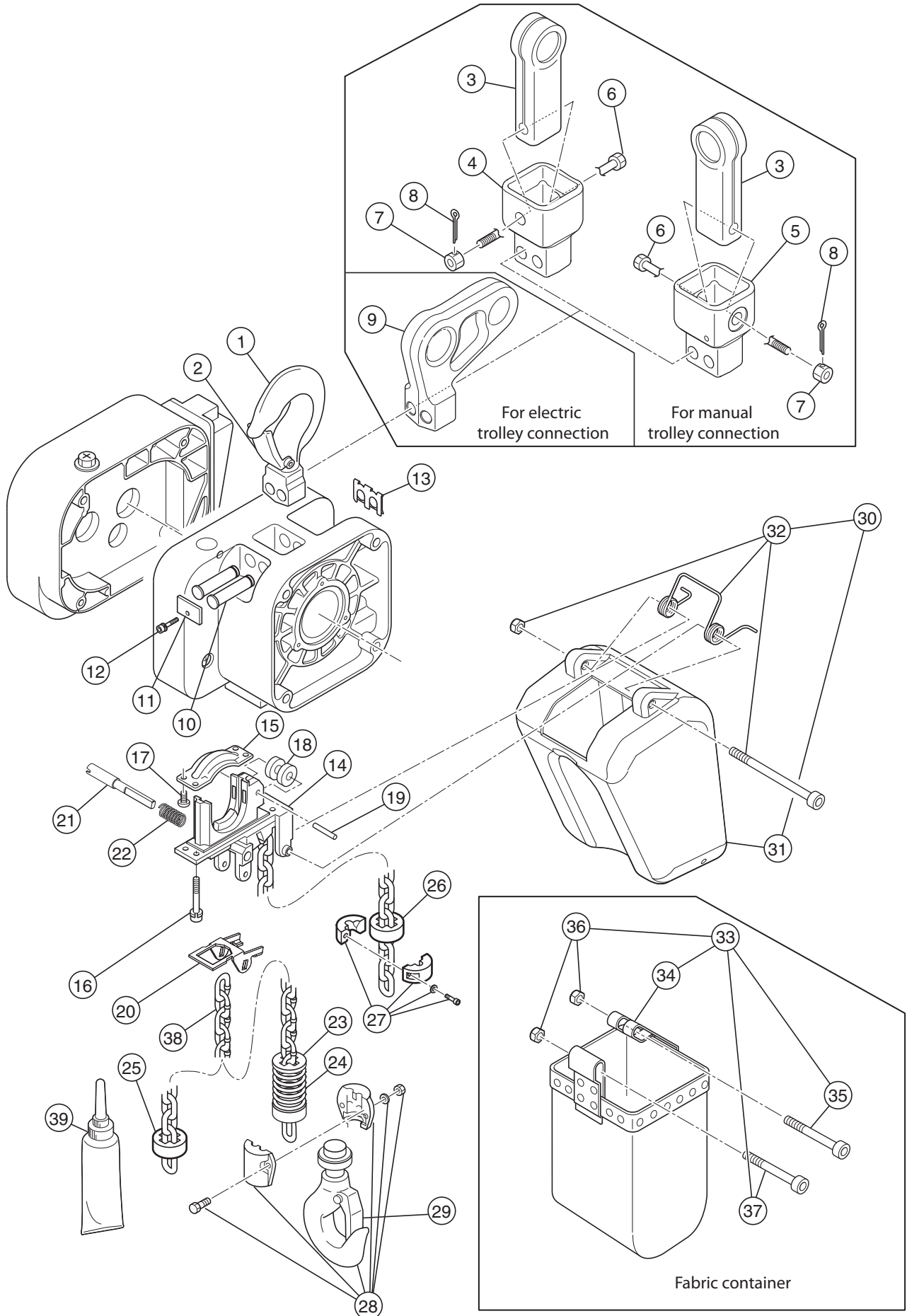


ER2-016S/IS,ER2-020S/IS,ER2-020L/IL,ER2-032S/IS

Figure #	Part Number	Part Name	Quantity per unit	ER2-E				Remark
				ER2-016S/IS	ER2-020S/IS	ER2-020L/IL	ER2-032S/IS	
1	6241	Load sheave assembly	1	ER2ES6241	←	←	←	
2	241	Load sheave	1	ER2ES9241	←	←	←	
3	221	Oil seal	1	ER2ES9221	←	←	←	For pinion
4	242	Ball bearing	1	J1GR0B0-06209	←	←	←	For load sheave (motor side)
5	238	Ball bearing	1	J1GR0A0-06405	←	←	←	For gear #3 (body side)
6	240	Load gear	1	ER2EM9240	ER2ES9240	ER2EL9240	ER2ER9240	
7	245	Snap ring	1	J1SS000-00050	←	←	←	For load gear
8	243	Ball bearing	1	J1GR0A0-06010	←	←	←	For load sheave (gear case side)
9	244	Oil seal	1	ER2ES9244	←	←	←	For load sheave (gear case side)
10	222	Ball bearing	1	J1GR0A0-06303	←	←	←	For pinion (gear case side)
11	233	Oil seal	1	ER1DS9233	←	←	←	For seal collar
12	5220	Pinion assembly	1	ER2EL5220	ER2ES5220	ER2EL5220	ER2ES5220	
13	164	Socket bolt	3	J1BE1-0601818	←	←	←	For bearing holder
14	1223	Friction clutch complete set	1	ER2EM1218	ER2ES1223	ER2EL1223	ER2ER1223	
15	234	Wave washer	1	ER1DS9234	ER2ES9234	ER1DS9234	ER2ES9234	
16	235	Nut cover	1	ER1DS9235	ER2ES9235	ER1DS9235	ER2ES9235	
17	840	Name plate FP	1	ER1BS9892	←			
18	5262	Gear B assembly	1	ER2EM5257	X	ER2EL5262	X	
19	6261	Gear holder plate assembly	1	ER2EL6261	X	ER2EL6261	X	
20	261	Gear holder plate	1	ER2EL9261	X	ER2EL9261	X	
21	264	Ball bearing	1	J1GR0A0-06202	X	J1GR0A0-06202	X	
22	266	Ball bearing	1	J1GR0A0-06201	X	J1GR0a0-06201	X	Gear B (gear case side)
23	270	Set pin S	2	E6SE010S9120	X	E6SE010S9120	X	For gear holder plate
24	271	Socket bolt	3	J1BE1-0803535	X	J1BE1-0803535	X	For gear holder plate
25	272	Spring lock washer	3	J1WS011-20080	X	J1WS011-20080	X	For gear holder plate
26	1855L	Oil pot F (1L)	2	X	ER1CS1855	X	ER1CS1855	
	1855S	Oil pot F (0.7L)	1	ER1BS1855	X	ER1BS1855	X	
	1855L	Oil pot F (1L)	1	ER1CS1855	X	ER1CS1855	X	

Top/bottom hook,load chain,chain guide,chain container

ER2-016S/IS,ER2-020S/IS,ER2-020L/IL



Top/bottom hook,load chain,chain guide,chain container

ER2-016S/IS,ER2-020S/IS,ER2-020L/IL

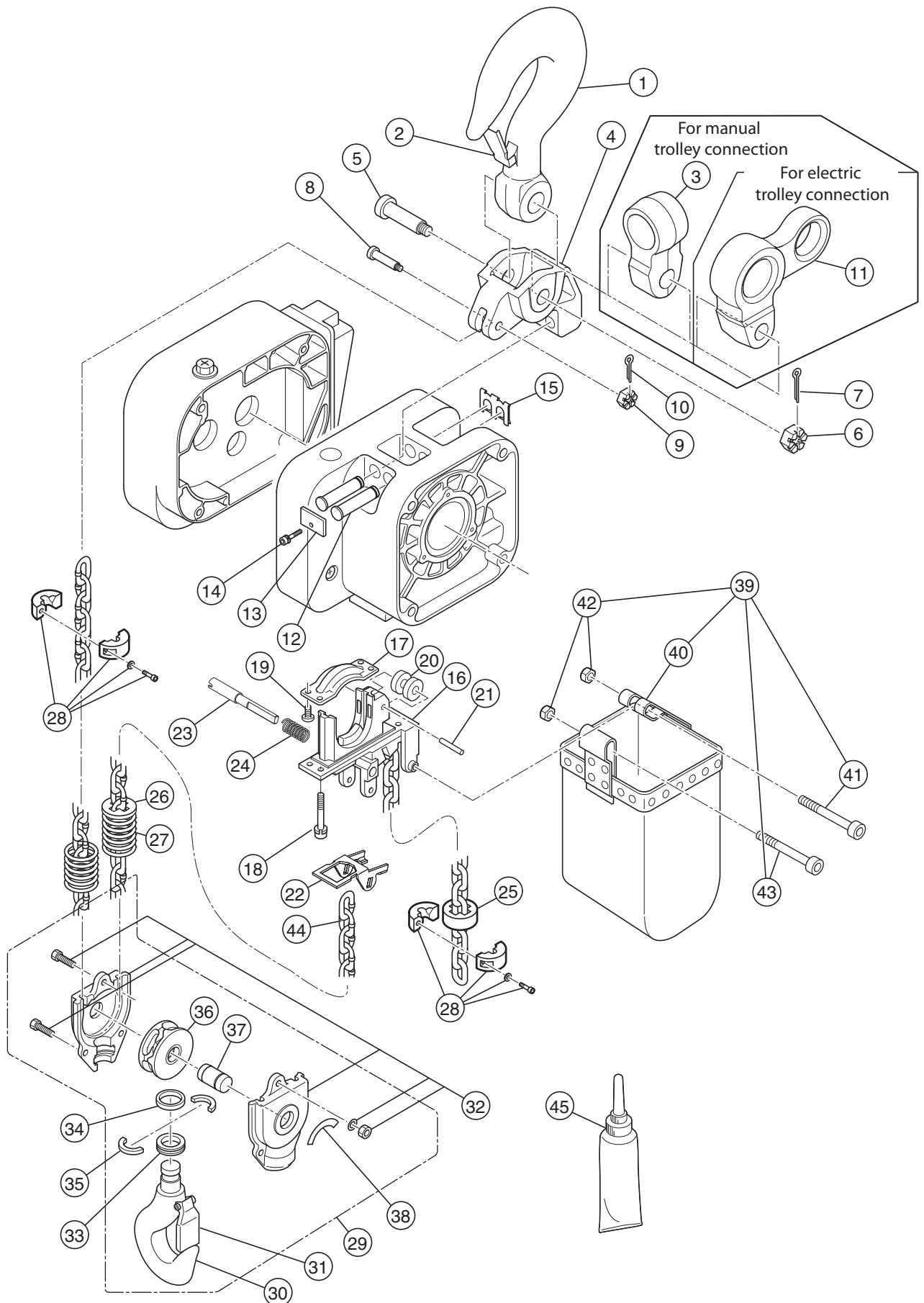
Figure #	Part Number	Part Name	Quantity per unit	ER2-E			Remark
				ER2-016S/IS	ER2-020S/IS	ER2-020L/IL	
1	1001	Top hook assembly	1	ER2ES1001	←	←	
2	1002	Hook latch assembly	1	ER2ES1002	←	←	For top hook
3	004	Suspender	1	T7GB020-9004	←	←	For plain trolley, geared trolley connection
4	027	Connection yoke P	1	ER2ES9027	←	←	For plain trolley connection
5	029	Connection yoke G	1	ER2ES9029	←	←	For geared trolley connection
6	032	Yoke bolt	1	ER1ES9032	←	←	For connection yoke
7	033	Slotted nut	1	J1NL001-20160	←	←	For connection yoke
8	034	Split pin	1	J1PW01-040030	←	←	For connection yoke
9	031	Suspender T	1	ER2ES9031	←	←	For MR connection
10	121	Top pin	2	ER2ES9121	←	←	For body connection
11	123	Plate A	1	ER2ES9123	←	←	For top pin
12	124	Socket bolt	1	J1BG1-0601212	←	←	For plate A
13	186	Shaft clip	1	ER2ES9186	←	←	For top pin
14	331	Chain guide A	1	ER2ES9331	←	←	
15	332	Chain guide B	1	ER2ES9332	←	←	
16	346	Socket bolt with spring lock washer	4	J1BE1-0803030	←	←	For chain guide A
17	348	Machine screw with spring washer	4	J1AP2-6001212	←	←	For chain guide B
18	333	Guide roller	1	ER1DL9333	←	←	
19	334	Roller pin	1	ER1DL9334	←	←	
20	337	Limit lever	1	ER2ES9337	←	←	
21	338	Limit lever pin	1	ER2EL9338	ER2ES9338	ER2EL9338	
22	357	Limit lever spring	1	ER2CS9357	←	←	
23	054	Limiting plate	1	X	ER1ES9054	←	Load side
24	051	Chain spring	1	X	E7SS020S9047	ER1DL9051	Load side
25	053	Cushion rubber	1	ER1ES9053	X	←	Load side (only for 1.6t)
26	053	Cushion rubber	1	ER1ES9053	←	←	No-load side
27	1041	Stopper assembly	1	ER1ES1041	←	←	
28	1011	Bottom hook complete set	1	ER2EM1010	ER2ES1011	←	
29	1002	Hook latch assembly	1	ER2EM1002	ER2ES1002	←	Bottom hook
30	BKT2-KITPE	BUCKET KIT PE	1	BKT2-KIT-PE	←	←	
31	1401	Chain container P assembly	1	ER2ES1401	←	←	Max. lifting height 4m
32	1416	Container spring assembly	1	ER2ES1416	←	←	
33	BKT2-KITE1	BUCKET KIT E1	1	BKT2-KIT-E1	←	←	For chain container (E1) assembly
	BKT2-KITE2	BUCKET KIT E2	1	BKT2-KIT-E2	←	←	For chain container (E2) assembly
34	5403	Chain container (E1) assembly	1	ER2ES5403	←	←	Max. lifting height 12m
	5405	Chain container (E2) assembly	1	ER2ES5405	←	←	Max. lifting height 18m
35	417	Socket bolt	1	J1BE1-1010032	←	←	Container hanger A side
36	418	Lever nut	2	C2BA200-9074	←	←	Container hangers A and B
37	419	Socket bolt	1	J1BE1-1007532	←	←	Container hanger B side
38	874	Load chain	1	KBAN102W	←	←	Nickel plating specification
39	1951	Lubricant tube assembly	1	ER2CS1951	←	←	

Load chain

Body size		ER2-E		
Type		ER2-016S/IS	ER2-020S/IS	ER2-020L/IL
Load chain number of falls		1		
Load chain wire diameter (mm)		φ10.2		
Wire length allowance (m)	Lifting height 4m/6m	0.55	0.61	
Total length (m)	Lifting height 4m/6m	4.55/6.55	4.61/6.61	

Top/bottom hook,load chain,chain guide,chain container (Double chain fall)

ER2-032S/IS



Top/bottom hook,load chain,chain guide,chain container (Double chain fall)

ER2-032S/IS

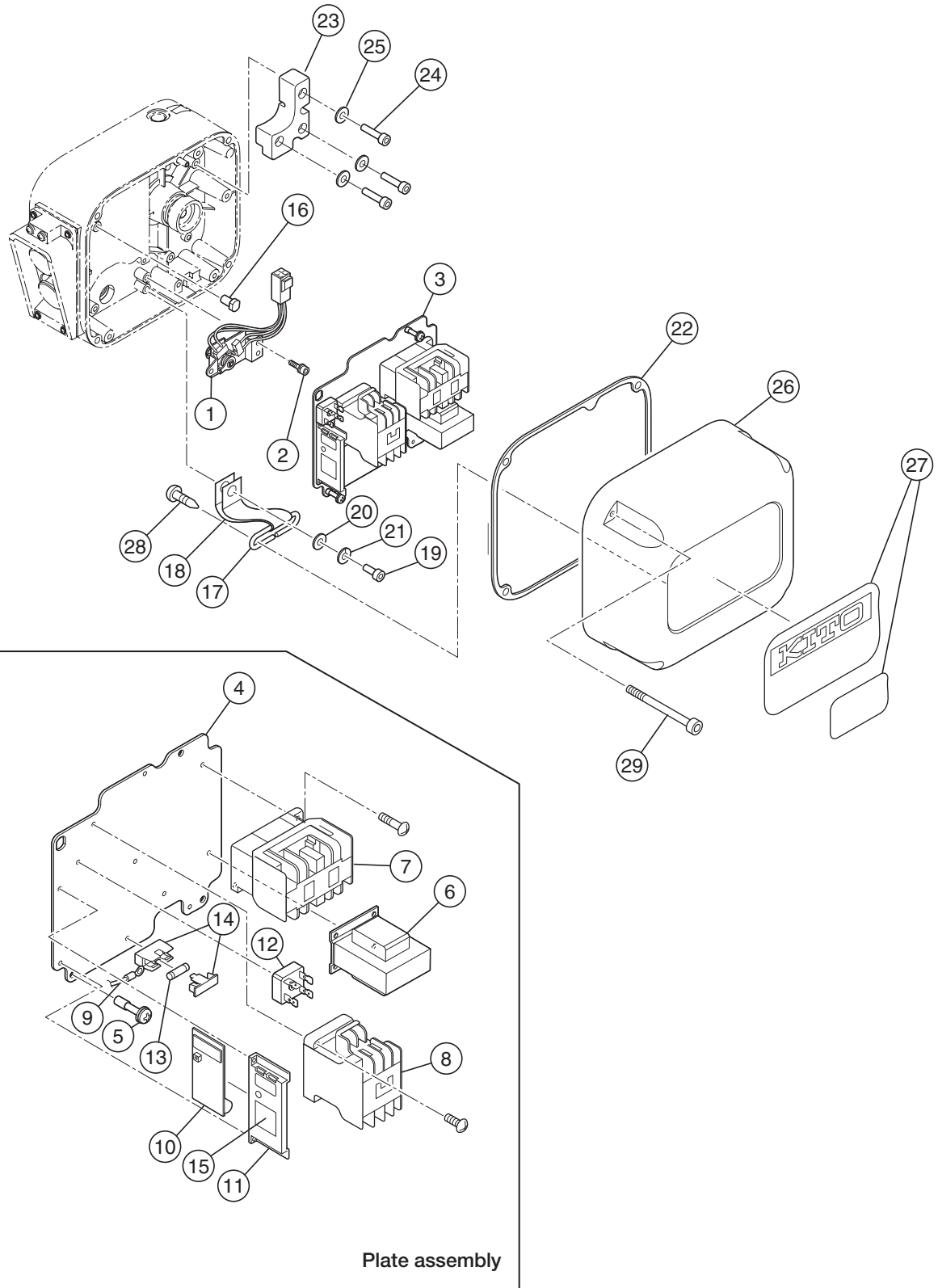
Figure #	Part Number	Part Name	Quantity per unit	ER2-E	Remark
				ER2-032S/IS	
1	1001	Top hook assembly	1	ER2ER1001	
2	1002	Hook latch assembly	1	ER2ER1002	For top hook
3	004	Suspender	1	T7GB030-9004	For manual trolley connection
4	030	Connection yoke D	1	ER2ER9030	
5	032	Yoke bolt	1	ER1ES9032	For connection yoke D
6	033	Slotted nut	1	J1NL001-20160	For connection yoke D
7	034	Split pin	1	J1PW01-040030	For connection yoke D
8	035	Chain pin	1	C2BA020-9041	For load chain terminal
9	036	Slotted nut	1	C2BA020-9049	For load chain terminal
10	037	Split pin	1	J1PW01-020016	For load chain terminal
11	031	Suspender T	1	ER2ER9031	For MR connection
12	121	Top pin	2	ER2ES9121	For body connection
13	123	Plate A	1	ER2ES9123	For top pin
14	124	Socket bolt	1	J1BG1-0601212	For plate A
15	186	Shaft clip	1	ER2ES9186	For top pin
16	331	Chain guide A	1	ER2ES9331	
17	332	Chain guide B	1	ER2ES9332	
18	346	Socket bolt with spring lock washer	4	J1BE1-0803030	For chain guide A
19	348	Machine screw with spring washer	4	J1AP2-6001212	For chain guide B
20	333	Guide roller	1	ER1DL9333	
21	334	Roller pin	1	ER1DL9334	
22	337	Limit lever	1	ER2ES9337	
23	338	Limit lever pin	1	ER2ES9338	
24	357	Limit lever spring	1	ER2CS9357	
25	053	Cushion rubber	1	ER1EM905	No- load side
26	054	Limiting plate	1	ER1ES9054	Load side
27	051	Chain spring	2	E7SS020S9047	Load side
28	1041	Stopper assembly	2	ER1ES1041	
29	1011	Bottom hook complete set	1	ER2EM1010	
30	2011	Bottom hook assembly	1	ER2ER2011	
31	1002	Hook latch assembly	1	ER2ER1002	Bottom hook
32	2015	Bottom yoke assembly	1	ER2ER2015	
33	012	Thrust bearing	1	J1GS000-51106	
34	013	Thrust collar A	1	E2YS030-9026	
35	014	Hook stopper A	2	E2YS030-9027	
36	6021	Idle sheave assembly	1	ER2ER6021	
37	6023	Bottom shaft assembly	1	ER2ER6023	
38	822	Name plate C	1	C3BA030-9805	
39	BKT2-KITE1	BUCKET KIT E1	1	BKT2-KIT-E1	
40	5403	Chain container (E1) assembly	1	ER2ES5403	Max. lifting height 6m
41	417	Socket bolt	1	J1BE1-1010032	Container hanger A side
42	418	Lever nut	2	C2BA200-9074	Container hangers A and B
43	419	Socket bolt	1	J1BE1-1007532	Container hanger B side
44	874	Load chain	1	KBAN102W	Nickel plating specification
45	1951	Lubricant tube assembly	1	ER2CS1951	

Load chain

Body size		ER2-E	
Type		ER2-032S/IS	
Load chain number of falls		1	
Load chain wire diameter (mm)		φ10.2	
Wire length allowance (m)	Lifting height 4m/6m	0.55	0.61
Total length (m)	Lifting height 4m/6m	4.55/6.55	4.61/6.61

Controller cover electric component

ER2-016S,ER2-020S,ER2-020L,ER2-032S

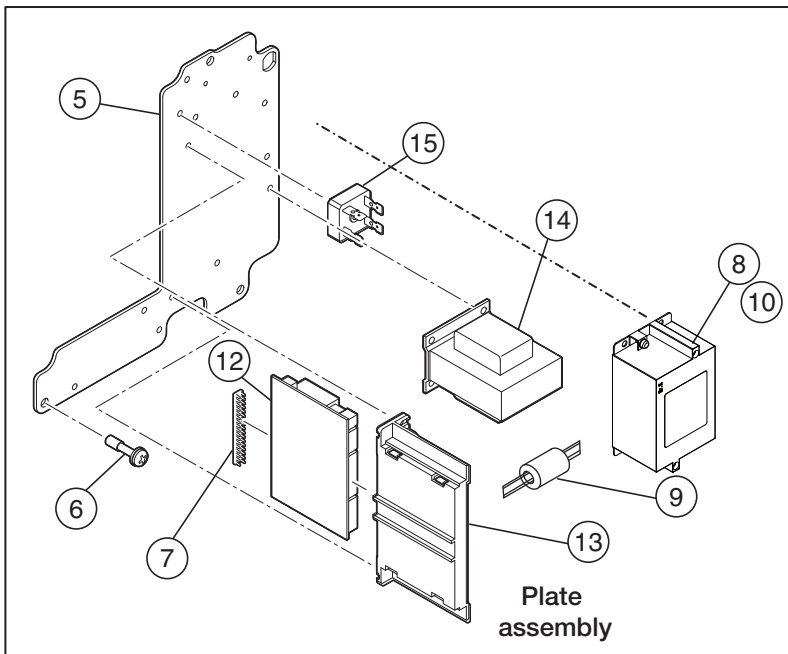
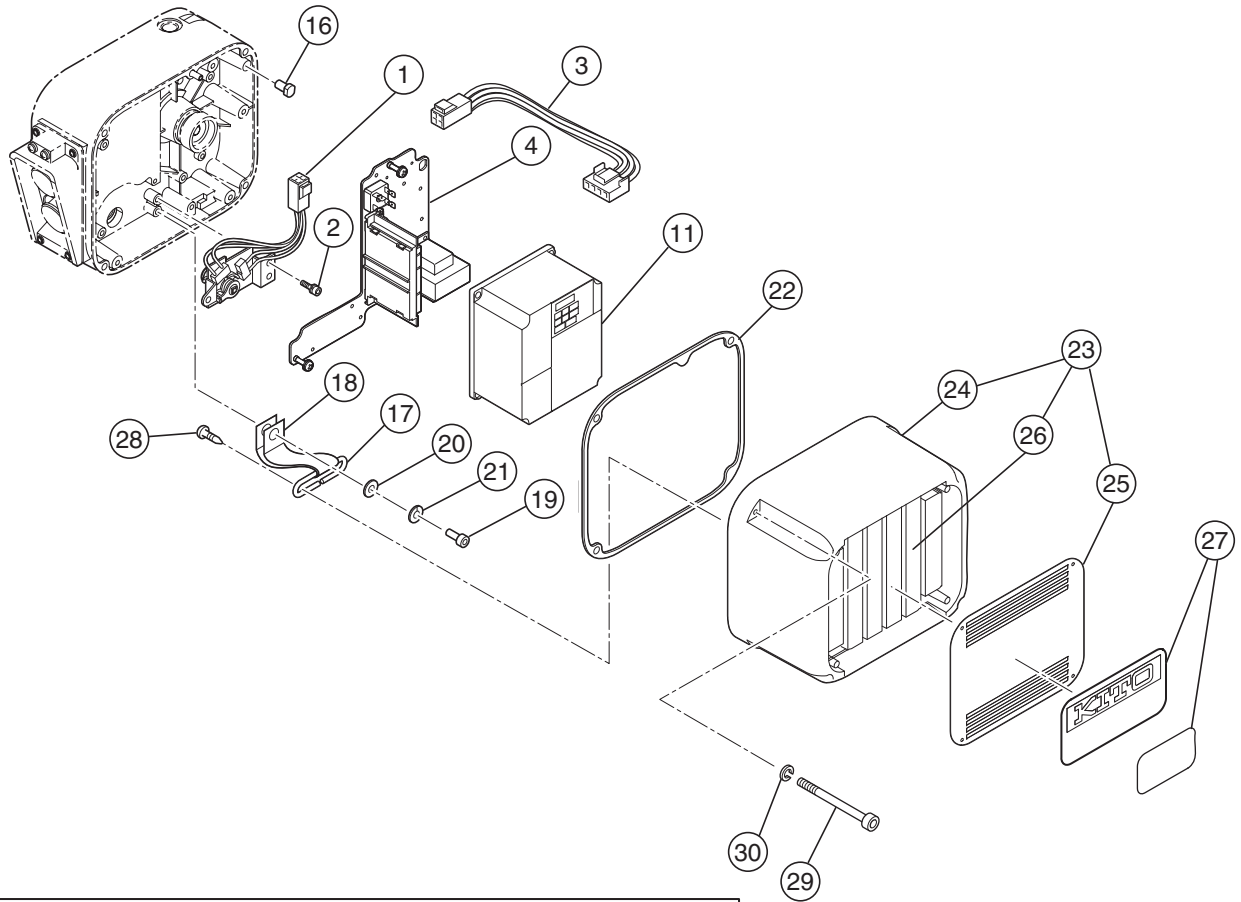


ER2-016S,ER2-020S,ER2-020L,ER2-032S

Figure #	Part Number	Part Name	Quantity per unit	ER2-E				Remark
				ER2-016S	ER2-020S	ER2-020L	ER2-032S	
1	1060	Limit switch complete set	1	ER2C11060	←	←	←	
2	124	Machine screw socket bolt	3	J1BG1-0601212	←	←	←	For limit switch
3	1441	Plate assembly	1	ER2BFC20L5A2	ER2BFC20S5A2	ER2BFC20L5A2	ER2BFC20S5A2	230V
				ER2BFY20L5A2	ER2BFY20S5A2	ER2BFY20L5A2	ER2BFY20S5A2	400V
4	441	Plate	1	ER2ES9441	←	←	←	
5	445	Plate screw	3	ER1BS9445	←	←	←	
6	577	Transformer	1	TRF13C211	←	←	←	230V
				TRF13Y211	←	←	←	400V
7	578	Electromagnetic contactor	1	MGC23402A	MGC23402B	MGC23402A	MGC23402B	For forward/reverse switching
8	580	Electromagnetic contactor	1	MGC14302C	←	←	←	For emergency stop
9	583	Lead wire	1	ER2BEE05S9A2	ER2BEE20S9A2	ER2BEE05S9A2	ER2BEE20S9A2	
10	582	CH meter	1	ECP91CHBA	←	←	←	
11	597	CH meter support	1	ECP99BKBA	←	←	←	
12	598	Rectifier	1	ECP93DIAA	ECP94DIAA	ECP93DIAA	ECP94DIAA	
13	602	Fuse	1	ECP91FZ02	←	←	←	
14	603	Fuse holder	1	ECP92FZAA	←	←	←	
15	838	Name plate CH	1	ECP99CHAA	←	←	←	
16	449	Fulcrum pin	1	ER2CS9449	←	←	←	Plate rotation center pin
17	456	Cover suspender	1	ER2CS9456	←	←	←	
18	457	Cover belt	1	ER2CS9457	←	←	←	
19	458	Socket bolt	1	J1BE1-0601616	←	←	←	For cover belt (attached to gear case)
20	459	Plain washer	1	ER1BS9436	←	←	←	For cover belt (attached to gear case)
21	460	Spring lock washer	1	J1WS011-20060	←	←	←	For cover belt (attached to gear case)
22	117	Packing C	1	ER2ES9117	←	←	←	For controller cover
23	109	Balancer	1	X	ER2ES9108	X	ER2ES9108	
24	162	Socket bolt	3	X	J1BE1-0802525	X	J1BE1-0802525	For balancer
25	163	Spring lock washer	3	X	J1WS011-20080	X	J1WS011-20080	For balancer
26	104	Controller cover	1	ER2ES9104	←	←	←	
27	801	Name plate B	1					
	802	Name plate D	1					
28	114	Pan head machine screw	2	J1AK2-5001212	←	←	←	For cover suspender (attached to controller cover)
29	153	Machine screw socket bolt	4	J1BG1-0604024	←	←	←	For controller cover

Controller cover electric component (Inverter dual speed)

ER2-016IS,ER2-020IS,ER2-020IL,ER2-032IS



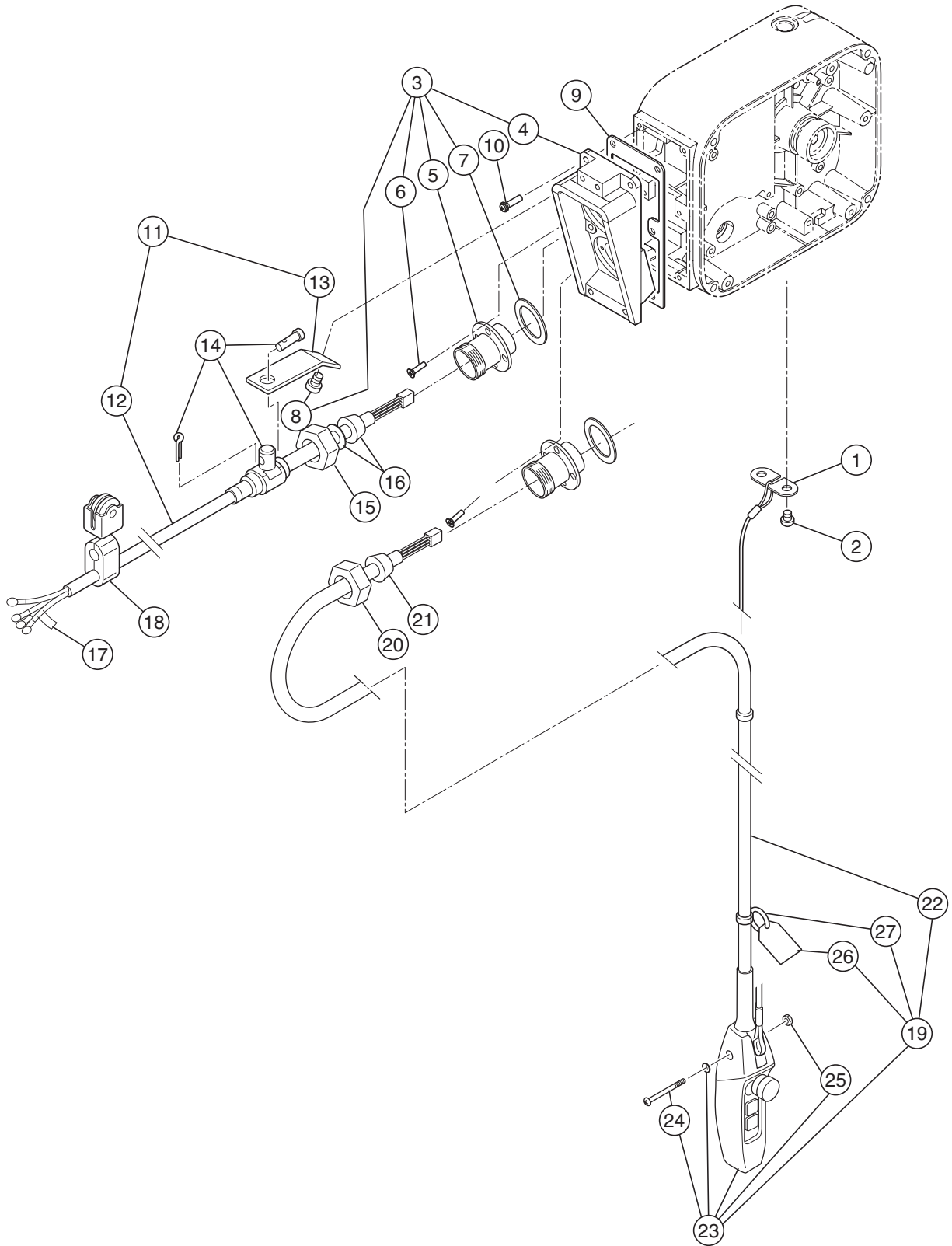
Controller cover electric component (Inverter dual speed)

ER2-016IS,ER2-020IS,ER2-020IL,ER2-032IS

Figure #	Part Number	Part Name	Quantity per unit	ER2-E				Remark
				ER2-016IS	ER2-020IS	ER2-020IL	ER2-032IS	
1	1060	Limit switch complete set	1	ER2CI1060	←	←	←	
2	124	Machine screw socket bolt	3	J1BG1-0601212	←	←	←	For limit switch
3	554	LS harness	1	ER2CI9554	←	←	←	
4	1441	Plate assembly	1	ER2BMC20J5A2	ER2BMC20I5A2	ER2BMC20J5A2	ER2BMC20I5A2	230V
				ER2BMY20J5A2	ER2BMY20I5A2	ER2BMY20J5A2	ER2BMY20I5A2	400V
5	441	Plate	1	ER2EI9441	←	←	←	
6	445	Plate screw	3	ER1BS9445	←	←	←	
7	448	Bushing	1	ECP99JBAC	←	←	←	For interface board fixing
8	5463	Noise filter	1	ECP93NFAA	ECP93NFAA	ECP93NFAA	ECP93NFAA	230V
				ECP93NFAB	ECP93NFAB	ECP93NFAB	ECP93NFAB	400V
9	465	Clamp filter	1	X	ECP99NFAA	X	ECP99NFAA	For 3.5kw motor
10	583	Lead wire	1	ER2BMC20I9A2	ER2BMC20I9A2	ER2BMC20I9A2	ER2BMC20I9A2	
11	1571	Inverter assembly	1	INV622C21	INV637C21	INV622C21	INV637C21	230V
				INV622Y21	INV637Y21	INV622Y21	INV637Y21	400V
12	508	Interface board	1	ECP91KB01	ECP91KB01	ECP91KB01	ECP91KB01	
13	509	Board support	1	ECP99BKAA	←	←	←	
14	577	Transformer	1	TRF12C212	TRF12C212	TRF12C212	TRF12C212	230V
				TRF12Y212	TRF12Y212	TRF12Y212	TRF12Y212	400V
15	598	Rectifier	1	ECP93DIAA	ECP94DIAA	ECP93DIAA	ECP94DIAA	
16	449	Fulcrum pin	1	ER2CS9449	←	←	←	Plate rotation center pin
17	456	Cover suspender	1	ER2CS9456	←	←	←	
18	457	Cover belt	1	ER2CS9457	←	←	←	
19	458	Socket bolt	1	J1BE1-0601616	←	←	←	For cover belt (attached to gear case)
20	459	Plain washer	1	ER1BS9436	←	←	←	For cover belt (attached to gear case)
21	460	Spring lock washer	1	J1WS011-20060	←	←	←	For cover belt (attached to gear case)
22	117	Packing C	1	ER2ES9117	←	←	←	For controller cover
23	2104	Controller cover assembly	1	ER2EJ2104	ER2EI2104	ER2EJ2104	ER2EI2104	230V
				ER2EJ1104	ER2EI1104	ER2EJ1104	ER2EI1104	400V
24	104	Controller cover	1	ER2EI910	←	←	←	
25	185	Resistor cover	1	ER2EI9185	←	←	←	
26	5505	Braking resistor assembly	1	INV718E16	INV735E16	INV718E16	INV735E16	230V
				INV718Y16	INV735Y16	INV718Y16	INV735Y16	400V
27	801	Name plate B	1					
	802	Name plate D	1					
28	114	Pan head machine screw	2	J1AK2-5001212	←	←	←	For cover suspender (attached to controller cover)
29	153	Socket bolt	4	J1BE1-0604024	←	←	←	For controller cover
30	154	Toothed lock washer	4	J1WH012-10060	←	←	←	For controller cover

Power supply cable, push button (Direct connection)

ER2-016S/IS,ER2-020S/IS,ER2-020L/IL,ER2-032S/IS



3 push button cord complete set

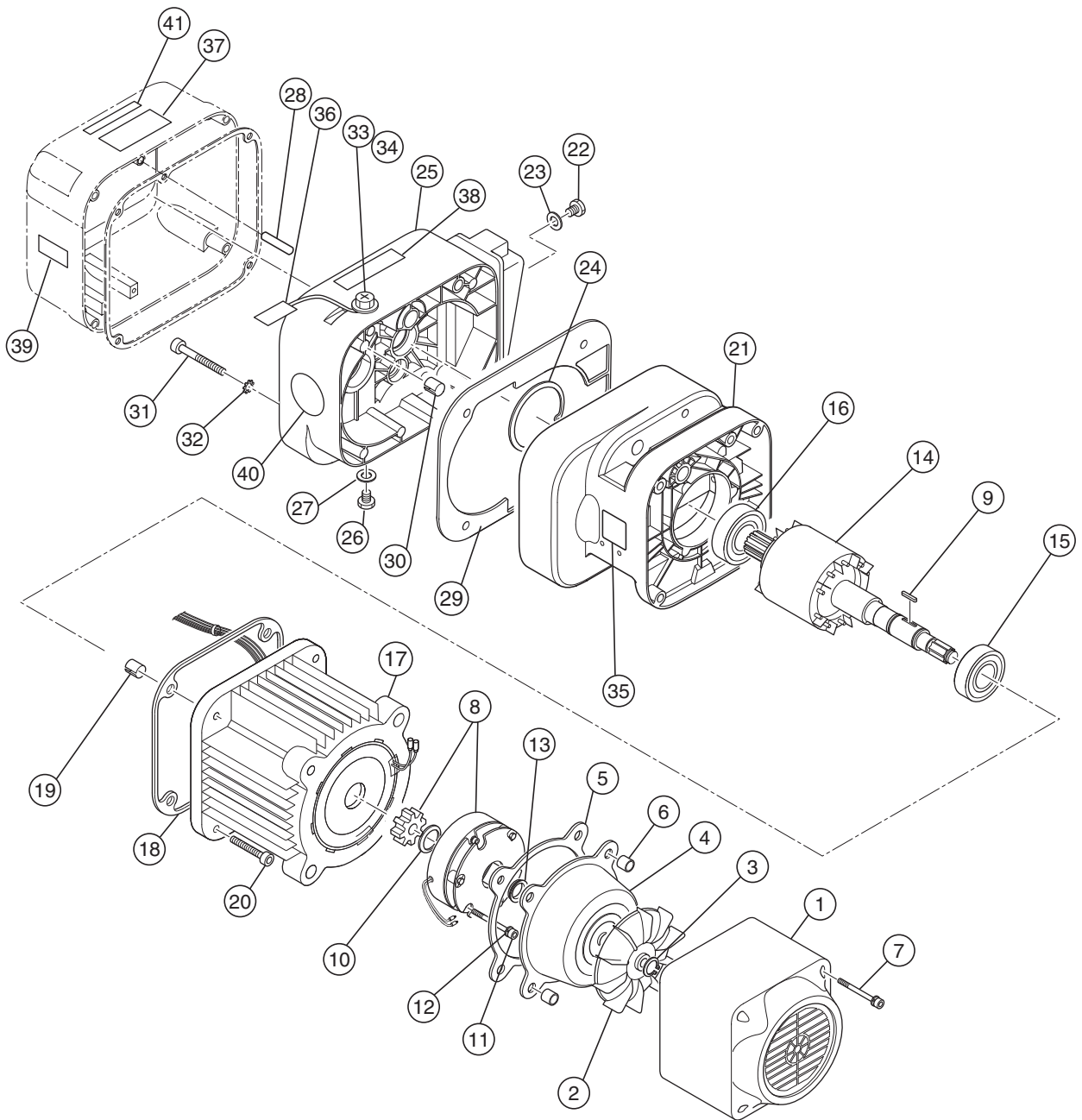
Power supply cable, push button (Direct connection)

ER2-016S/IS,ER2-020S/IS,ER2-020L/IL,ER2-032S/IS

Figure #	Part Number	Part Name	Quantity per unit	ER2-E				Remark
				ER2-016S/IS	ER2-020S/IS	ER2-020L/IL	ER2-032S/IS	
1	535	Cord support(wire stopper)	1	ER1BS9534	←	←	←	
2	536	Machine screw with spring washer	2	J1AP2-5001212	←	←	←	For cord support L
3	2511	Socket frame complete set	1	ER2CS2511	←	←	←	
4	511	Socket frame	1	ER2CS9511	←	←	←	
5	575	Holder C	2	ECP5924AL	←	←	←	
6	517	Tapping flat head machine screw	8	E6SE003S9551	←	←	←	For holder C
7	568	Holder packing	2	ECP5924AM	←	←	←	For holder C
8	546	Machine screw with spring washer	2	J1AP2-6001616	←	←	←	For cable support arm
9	512	Socket frame packing	1	ER2CS9512	←	←	←	
10	516	Machine screw with spring washer	6	J1AP-5002020	←	←	←	For socket frame
11	1521	Power supply cable 4C assembly	1	ZBZB12CJ1000	←	←	←	
12	521	Power supply cable 4C	1	VCT-KYN 4C×1.25mm ²				
13	541	Cable support arm	1	ER1BS9541	←	←	←	
14	1542	Cable support 12 assembly	1	E7AX003S2822				
15	569	Holder A	1	ECP5924AA	←	←	←	
16	574	Cable packing	1	ECP6912AA	←	←	←	
17	823	Name plate G	1	E6LE010S9806	←	←	←	
18	1527	Cable hanger 14 assembly	n	X	X	X	X	
19	1557	3 push button cord 4C complete set	1					
20	341	Holder A	1	ECP5924AA	←	←	←	
21	351	Cable packing	1					
22	557	Push button cord 4C	1					
23	1561	3 push button switch assembly	1					
24	626	Machine screw	1	J1AP2-4002608	←	←	←	
25	627	Nut	1	J1AN004-10040	←	←	←	
26	567	Warning tag PB	1					
27	568	Tag holder	1	E7SE003S9787	←	←	←	

Body,gear case,motor

ER2-025S/IS,ER2-050S/IS

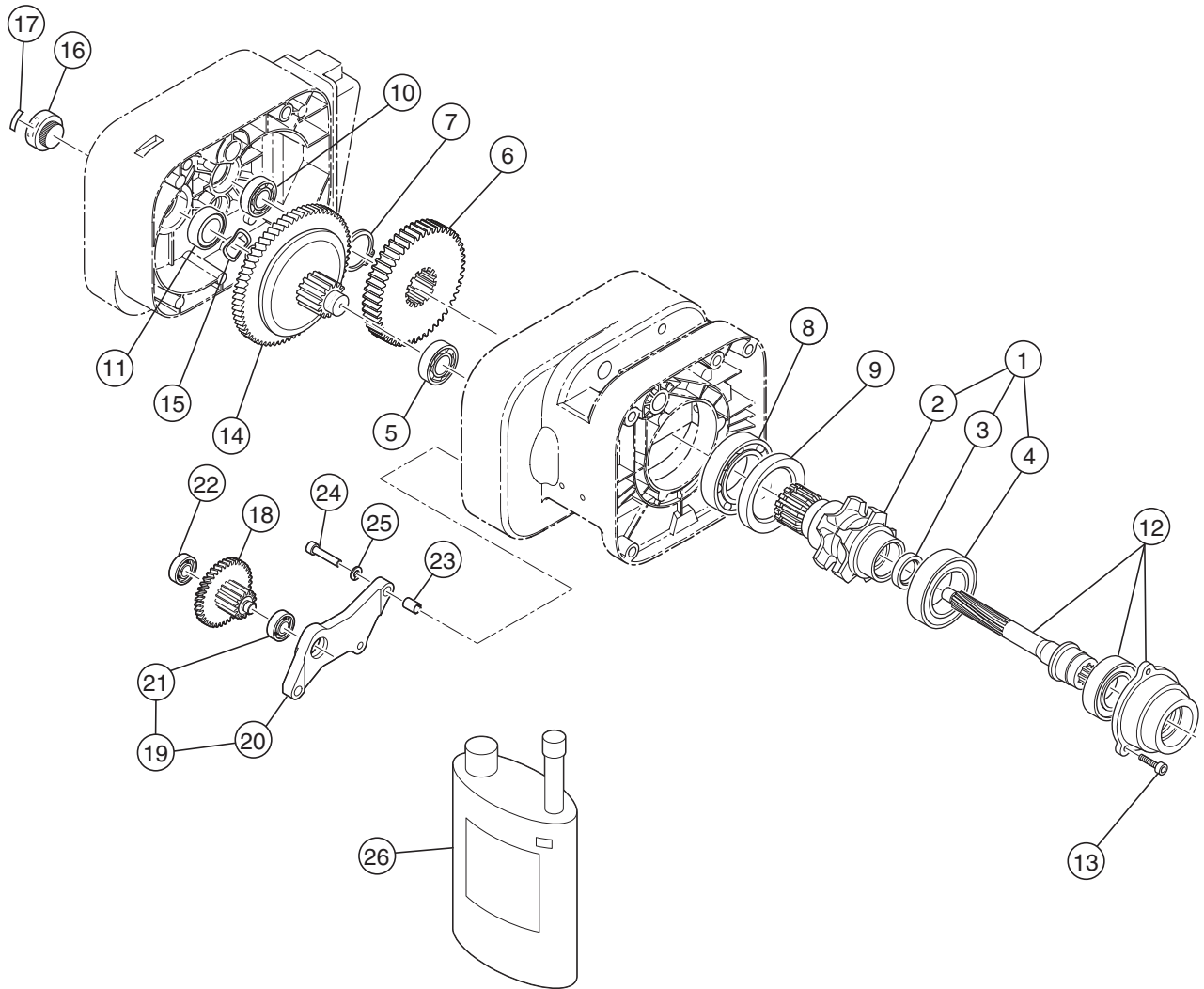


ER2-025S/IS,ER2-050S/IS

Figure #	Part Number	Part Name	Quantity per unit	ER2-F		Remark
				ER2-025S/IS	ER2-050S/IS	
1	107	Fan cover	1	ER2ES9107	←	
2	108	Fan	1	ER2ES9108	←	
3	323	Snap ring	1	J1SS000-00022	←	For fan
4	115	Brake cover	1	ER2ES9115	←	
5	119	Packing B	1	ER2ES9119	←	
6	140	Set pin S	2	E6SE005S9120	←	For fan cover, brake cover
7	160	Socket bolt	4	J1BE1-0604524	←	For fan cover, brake cover
8	1362	Electromagnetic brake assembly	1	MBABB18CA	←	230V
				MBABB18YA	←	400V
9	360	Key B	1	ER2ES9360	←	For electromagnetic brake
10	361	Snap ring	1	J1SS000-00030	←	For electromagnetic brake
11	167	Socket bolt	3	J1BE1-0805028	←	For electromagnetic brake
12	168	Spring lock washer	3	J1WS011-20100	←	For electromagnetic brake
13	210	V ring	1	ER2ES9210	←	Packing between motor shaft and brake cover
14	5502	Motor shaft with rotor	1	ER2FS5502	←	
15	202	Ball bearing	1	J1GR0C0-06007	←	For motor frame
16	208	Ball bearing	1	J1GR0C0-06006	←	For bearing holder (for motor shaft)
17	5501	Motor frame with stator	1	ER2BFC25S5A1	←	230V
				ER2BFY25S5A1	←	400V
18	118	Packing M	1	ER2FS9118	←	For motor frame
19	138	Set pin S	2	ER2ES9138	←	For motor frame
20	155	Socket bolt	4	J1BE1-1204040	←	For motor frame
21	101	Body B	1	ER2FS9101	←	
22	133	Oil plug	1	E5FE003S9111	←	
23	136	Plug packing	1	E2YS005-9109	←	For oil plug
24	207	Snap ring	1	J1SR000-00080	←	
25	6103	Gear case	1	ER2FS6103	←	
26	133	Oil plug	1	E5FE003S9111	←	For gear case
27	136	Plug packing	1	E2YS005-9109	←	For oil plug
28	139	Spring pin	1	J1PS11-060025	←	
29	116	Packing G	1	ER2FS9116	←	For gear case
30	137	Set pin S	2	E6SE010S9120	←	For gear case
31	151	Socket bolt	5	J1BE1-0809028	←	For gear case
32	152	Toothed lock washer	5	J1WH012-10080	←	For gear case
33	135	Oil plug B	1	ER1BS9135	←	For gear case F
34	173	Eyebolt packing	1	E2YS005-9116	←	For oil plug B
35	960	Name plate load side	1	ER1BS9960	←	Load side
36	953	Oil Full tag	1	ER1BS9953	←	
37	935	Warning sticker E	1	ER2CS9937	←	
38	810	Name plate OF	1			
39	836	Name plate L	1	X	X	Limit switch specification
40	868	Name plate AD	1	ER1BS9868	←	Speed display
41	820	Warning sticker HW	1	ER2CI9806	←	For inverter dual speed

Pinion,friction,gear

ER2-025S/IS,ER2-050S/IS

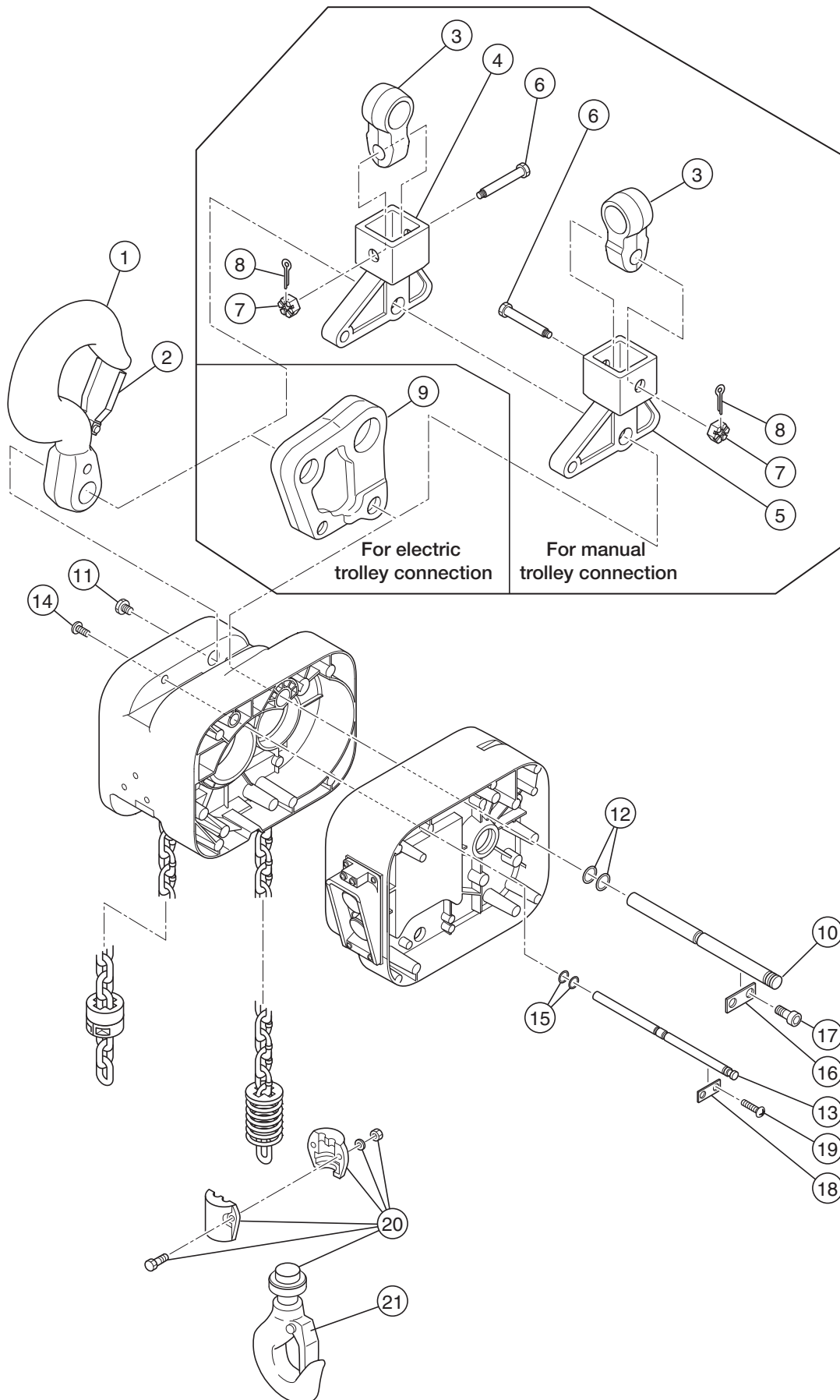


ER2-025S/IS,ER2-050S/IS

Figure #	Part Number	Part Name	Quantity per unit	ER2-F		Remark
				ER2-025S/IS	ER2-050S/IS	
1	6241	Load sheave assembly	1	ER2FS6241	←	
2	241	Load sheave	1	ER2FS9241	←	
3	221	Oil seal	1	ER2ES9221	←	For pinion
4	242	Ball bearing	1	J1GR020-06210	←	For load sheave (motor side)
5	238	Ball bearing	1	J1GR0A0-06405	←	For gear #3 (body side)
6	240	Load gear	1	ER2FS9240	←	
7	245	Snap ring	1	J1SS000-00050	←	For load gear
8	243	Ball bearing	1	J1GR0A0-06010	←	For load sheave (gear case side)
9	244	Oil seal	1	ER2ES9244	←	For load sheave (gear case side)
10	222	Ball bearing	1	J1GR0A0-06303	←	For pinion (gear case side)
11	233	Oil seal	1	ER1DS9233	←	For seal collar
12	5220	Pinion assembly	1	ER2FS5220	←	
13	164	Socket bolt	3	J1BE1-0601616	←	For bearing holder
14	1223	Friction clutch complete set	1	ER2FS1223	ER2FR1223	
15	234	Wave washer	1	ER2ES9234	←	
16	235	Nut cover	1	ER2ES9235	←	
17	840	Name plate FP	1	ER1BS9892	←	
18	5262	Gear B assembly	1	ER2FS5262	←	
19	6261	Gear holder plate assembly	1	ER2FS6261	←	
20	261	Gear holder plate	1	ER2FS9261	←	
21	264	Ball bearing	1	J1GR000-06203	←	
22	266	Ball bearing	1	J1GR0A0-06202	←	Gear B (gear case side)
23	270	Set pin S	2	E6SE010S9126	←	For gear holder plate
24	271	Socket bolt	3	J1BE1-0803535	←	For gear holder plate
25	272	Spring lock washer	3	J1WS011-20080	←	For gear holder plate
26	1855L	Oil pot F (1L)	2	ER1CS1855	←	

Top/bottom hook

ER2-025S/IS

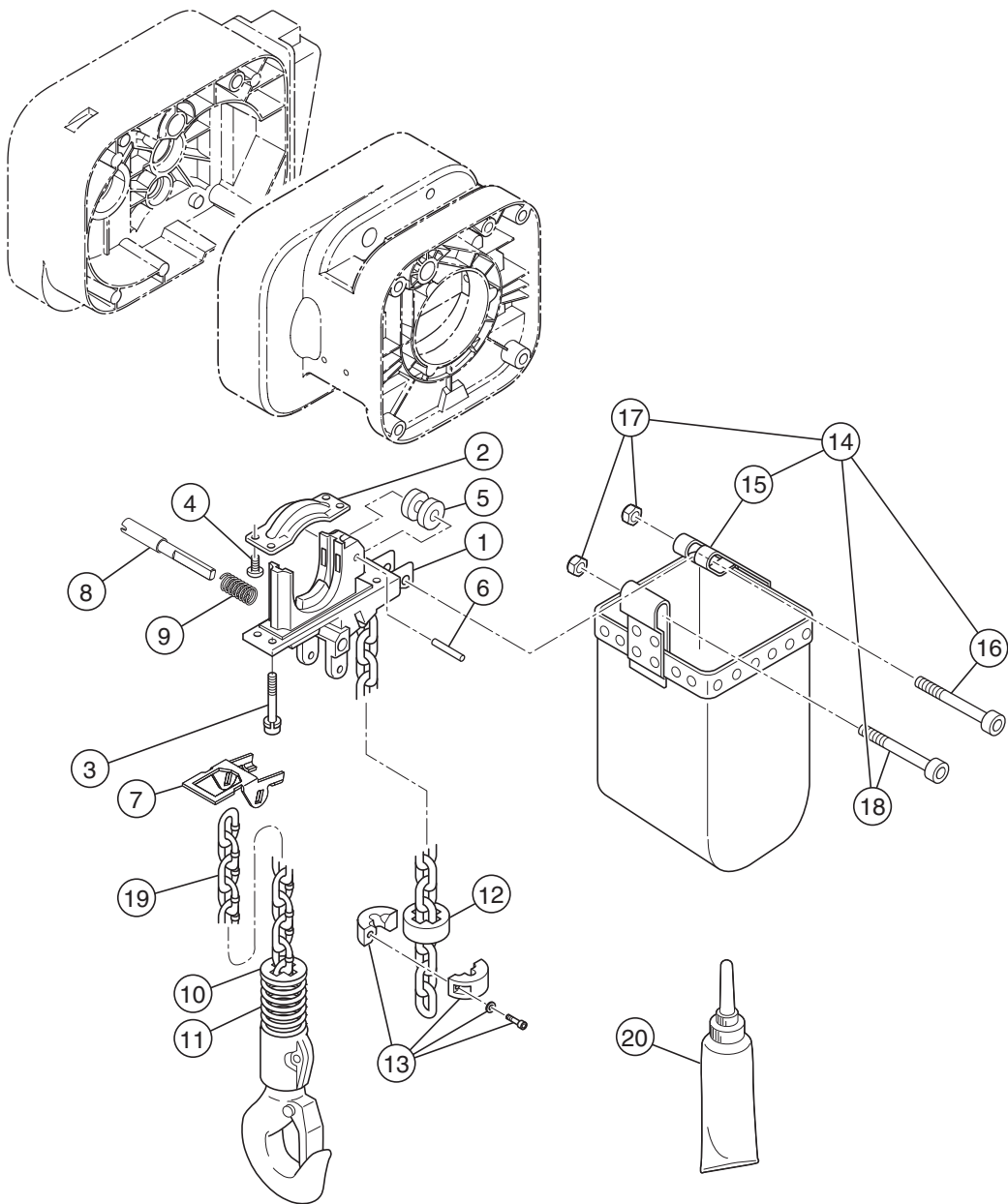


ER2-025S/IS

Figure #	Part Number	Part Name	Quantity per unit	ER2-F	Remark
				ER2-025S/IS	
1	1001	Top hook complete set	1	ER2FS1001	
2	1002	Hook latch assembly	1	ER2FS1002	For top hook
3	004	Suspender	1	T7GB030-9004	For connecting plain trolleys and geared trolleys
4	027	Connection yoke P	1	ER2FS9027	For plain trolley connection
5	029	Connection yoke G	1	ER2FS9029	Geared trolley for MR suspension connection
6	032	Yoke bolt	1	ER2FS9032	For connection yoke
7	033	Slotted nut	1	J1NL001-20160	For connection yoke
8	034	Split pin	1	J1PW01-040030	For connection yoke
9	031	Suspender T	1	ER2FS9031	
10	6121	Top pin assembly	1	ER2FS6121	For body connection
11	128	Top pin plug	1	ER2FS9128	
12	126	O ring	2	J1OP011-00180	
13	6122	Fixing shaft assembly	1	ER2FS6122	
14	131	Fixing shaft plug	1	ER2FS9131	
15	127	O ring	2	J1OP011-00090	
16	123	Plate A	1	ER1ES9123	For top pin
17	124	Machine screw socket bolt	2	J1BG1-0601616	For plate A (top pin)
18	125	Plate A	1	ER1BS9123	For fixing shaft
19	143	Machine screw with spring washer	2	J1AP2-5001212	For plate A (fixing shaft)
20	1011	Bottom hook complete set	1	ER2FS1011	
21	1002	Hook latch assembly	1	ER2ES1002	Bottom hook

Load chain, chain guide, chain container

ER2-025S/IS



ER2-025S/IS

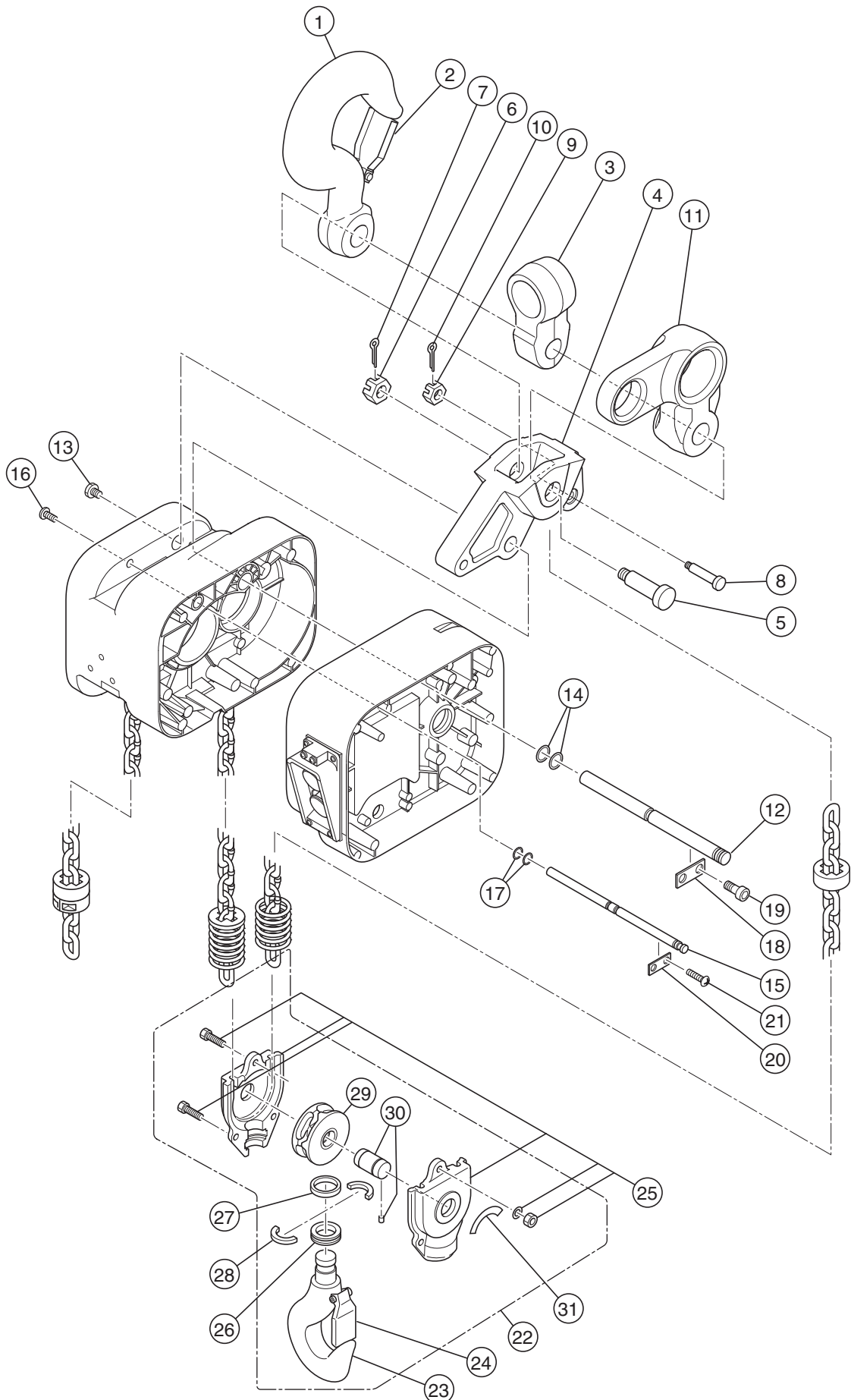
Figure #	Part Number	Part Name	Quantity per unit	ER2-F	Remark
				ER2-025S/IS	
1	331	Chain guide A	1	ER2FS9331	
2	332	Chain guide B	1	ER2FS9332	
3	346	Socket bolt with spring lock washer	4	J1BE1-0803030	For chain guide A
4	348	Machine screw with spring washer	4	J1AP2-6001212	For chain guide B
5	333	Guide roller	1	ER1EM9333	
6	334	Roller pin	1	ER1DL9334	
7	337	Limit lever	1	ER2FS9337	
8	338	Limit lever pin	1	ER2FS9338	
9	357	Limit lever spring	1	ER2CS9357	
10	054	Limiting plate	1	ER1FS9054	Load side
11	051	Chain spring	1	ER1EM9051	Load side
12	053	Cushion rubber	1	ER1EM9053	No-load side
13	1041	Stopper assembly	1	ER1ES1041	No-load side
14	BKT2-KITF1	BUCKET KIT F1	1	BKT2-KIT-F1	For chain container (F1) assembly
	BKT2-KITF2	BUCKET KIT F2	1	BKT2-KIT-F2	For chain container (F2) assembly
15	5404	Chain container (F1) assembly	1	ER2FS5404	Max. lifting height 8m
	5405	Chain container (F2) assembly	1	ER2FS5405	Max. lifting height 12m
16	417	Socket bolt	1	J1BE1-1008532	Container hanger A side
17	418	Lever nut	2	C2BA200-9074	Container hangers A and B
18	419	Socket bolt	1	J1BE1-1007532	Container hanger B side
19	874	Load chain	1	KBAN112W	Nickel plating specification
20	1951	Lubricant tube assembly	1	ER2CS1951	

Load chain

Body size		ER2-F
Type		ER2-025S/IS
Load chain number of falls		1
Load chain wire diameter (mm)		φ11.2
Wire length allowance (m)	Lifting height 4m/6m	0.62/0.63
Total length (m)	Lifting height 4m/6m	4.62/6.63

Top/bottom hook (Double chain fall)

ER2-050S/IS



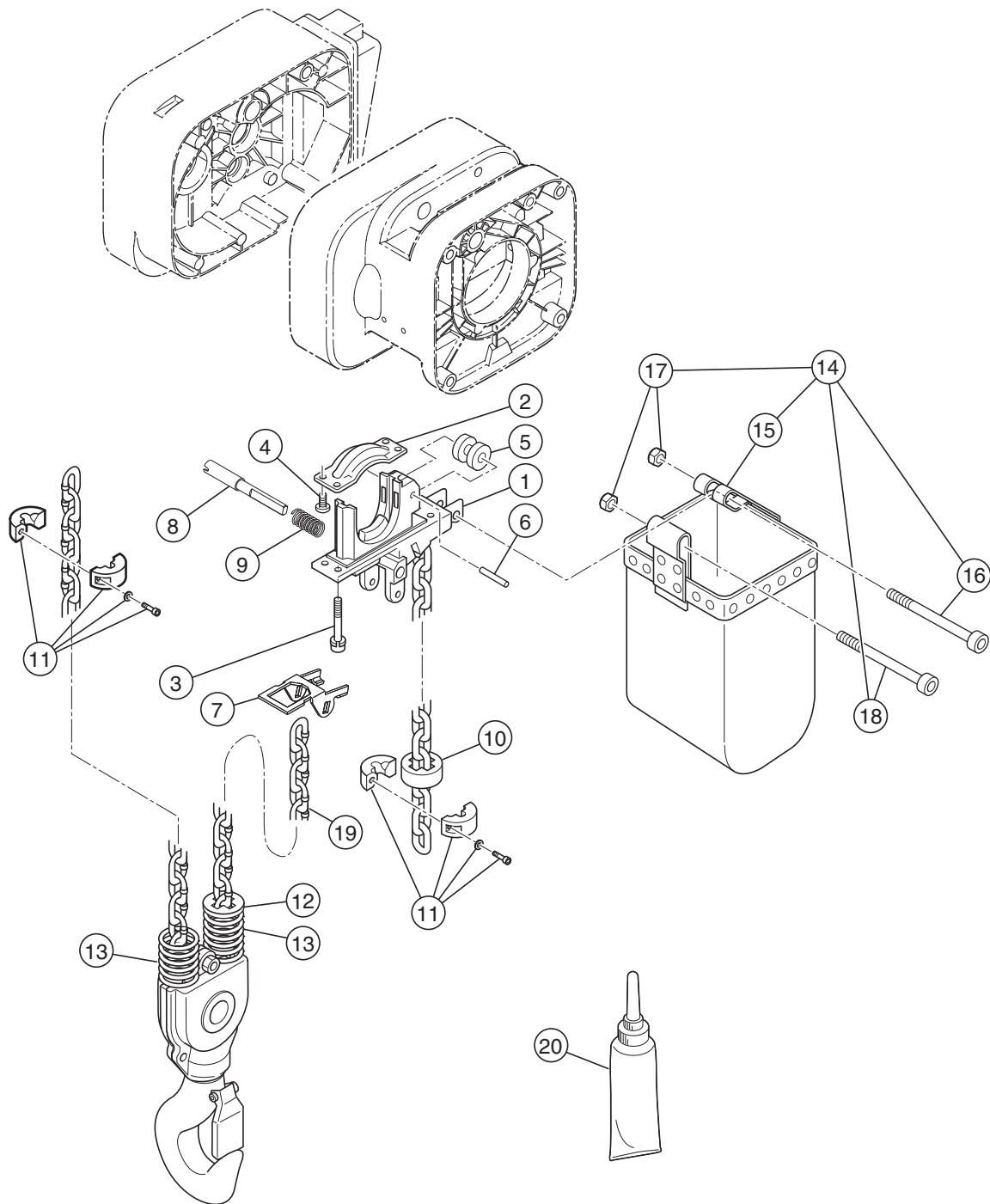
Top/bottom hook (Double chain fall)

ER2-050S/IS

Figure #	Part Number	Part Name	Quantity per unit	ER2-F	Remark
				ER2-050S/IS	
1	2001	Top hook assembly	1	ER2FR1001	
2	1002	Hook latch assembly	1	ER2FR1002	For top hook
3	004	Suspender	1	MR1GS-9001	For manual trolley connection
4	030	Connection yoke D	1	ER2FR9030	
5	032	Yoke bolt	1	E5SE050S9006	For connection yoke D
6	033	Slotted nut	1	J1NL001-20200	For connection yoke D
7	034	Split pin	1	J1PW01-040035	For connection yoke D
8	035	Chain pin	1	C2BA030-9041	For load chain terminal
9	036	Slotted nut	1	C2BA030-9049	For load chain terminal
10	037	Split pin	1	J1PW01-030018	For load chain terminal
11	031	Suspender T	1	ER1FR9031	For MR connection
12	6121	Top pin assembly	1	ER2FS6121	For body connection
13	128	Top pin plug	1	ER2FS9128	
14	126	O ring	2	J1OP011-00180	
15	6122	Fixing shaft assembly	1	ER2FS6122	
16	131	Fixing shaft plug	1	ER2FS9131	
17	127	O ring	2	J1OP011-00090	
18	123	Plate A	1	ER1ES9123	For top pin
19	124	Machine screw socket bolt	2	J1BG1-0601616	For plate A (top pin)
20	125	Plate A	1	ER1BS9123	For fixing shaft
21	143	Machine screw with spring washer	2	J1AP2-5001212	For plate A (fixing shaft)
22	1011	Bottom hook complete set	1	ER2FR1011	
23	2011	Bottom hook assembly	1	ER2FR2011	
24	1002	Hook latch assembly	1	ER2FR1002	For bottom hook
25	2015	Bottom yoke assembly	1	ER2FR2015	
26	012	Thrust bearing	1	J1GS000-51207	
27	013	Thrust collar A	1	E2YS050-9026	
28	014	Hook stopper A	2	E2YS050-9027	
29	6021	Idle sheave assembly	1	ER2FR6021	
30	6023	Bottom shaft assembly	1	E5SE050S5054	
31	822	Name plate C	1	C3BA030-9805	

Load chain, chain guide, chain container (Double chain fall)

ER2-050S/IS



Load chain, chain guide, chain container (Double chain fall)

ER2-050S/IS

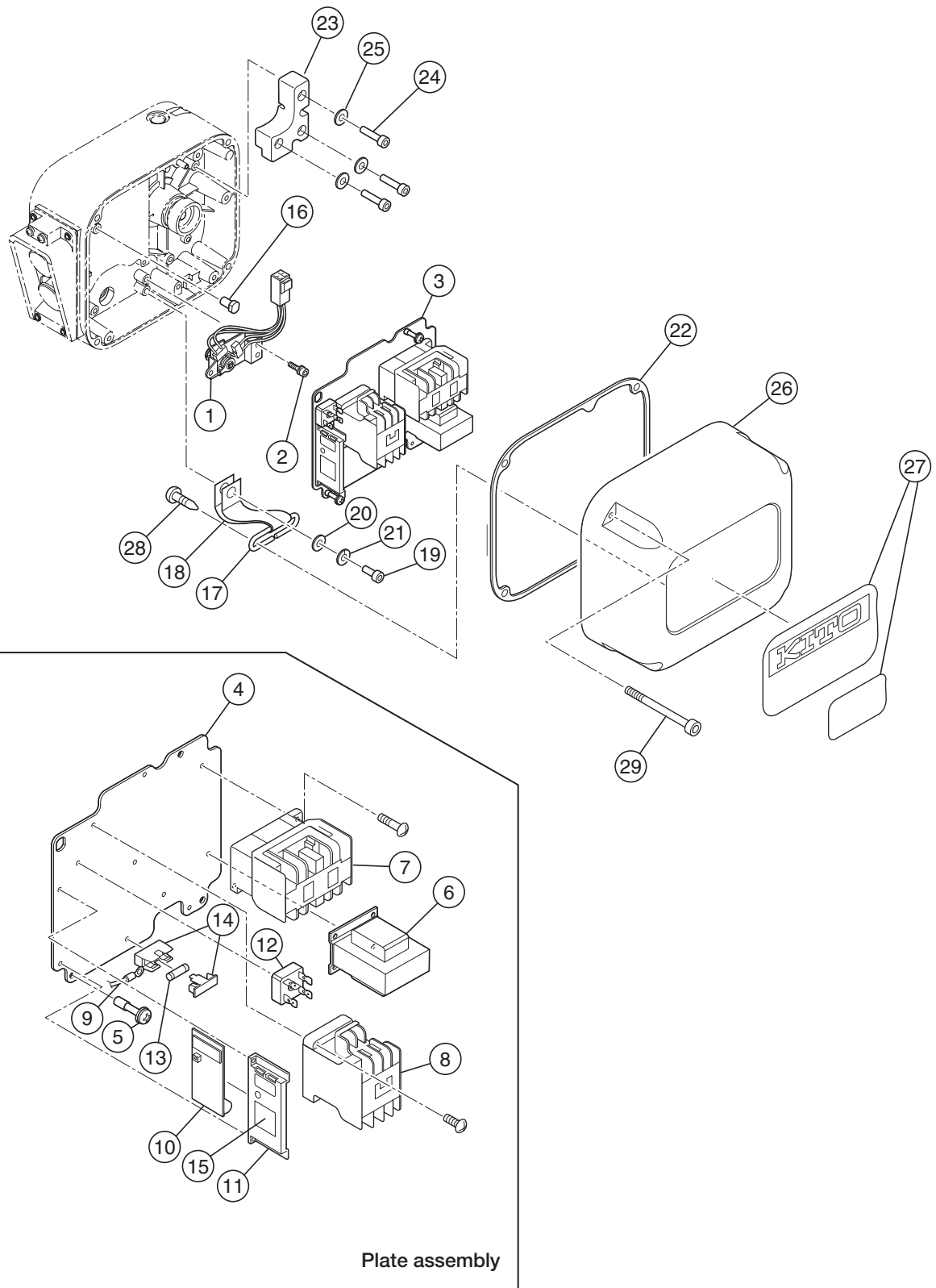
Figure #	Part Number	Part Name	Quantity per unit	ER2-F	Remark
				ER2-050S/IS	
1	331	Chain guide A	1	ER2FS9331	
2	332	Chain guide B	1	ER2FS9332	
3	346	Socket bolt with spring lock washer	4	J1BE1-0803030	For chain guide A
4	348	Machine screw with spring washer	4	J1AP2-6001212	For chain guide B
5	333	Guide roller	1	ER1EM9333	
6	334	Roller pin	1	ER1DL9334	
7	337	Limit lever	1	ER2FS9337	
8	338	Limit lever pin	1	ER2FS9338	
9	357	Limit lever spring	1	ER2CS9357	
10	053	Cushion rubber	1	ER1EM905	No-load side
11	1041	Stopper assembly	2	ER1ES1041	
12	054	Limiting plate	1	ER1FH9054	Load side
13	051	Chain spring	2	ER1EM9051	Load side
14	BKT2-KITF1	BUCKET KIT F1	1	BKT2-KIT-F1	For chain container (F1) assembly
	BKT2-KITF2	BUCKET KIT F2	1	BKT2-KIT-F2	For chain container (F2) assembly
15	5404	Chain container (F1) assembly	1	ER2FS5404	Max. lifting height 4m
	5405	Chain container (F2) assembly	1	ER2FS5405	Max. lifting height 6m
16	417	Socket bolt	1	J1BE1-1008532	Container hanger A side
17	418	Lever nut	2	C2BA200-9074	Container hangers A and B
18	419	Socket bolt	1	J1BE1-1007532	Container hanger B side
19	874	Load chain	1	KBAN112W	Nickel plating specification
20	1951	Lubricant tube assembly	1	ER2CS1951	

Load chain

Body size		ER2-F
Type		ER2-050S/IS
Load chain number of falls		1
Load chain wire diameter (mm)		φ11.2
Wire length allowance (m)	Lifting height 4m/6m	0.62/0.63
Total length (m)	Lifting height 4m/6m	4.62/6.63

Controller cover electric component

ER2-025S,ER2-050S



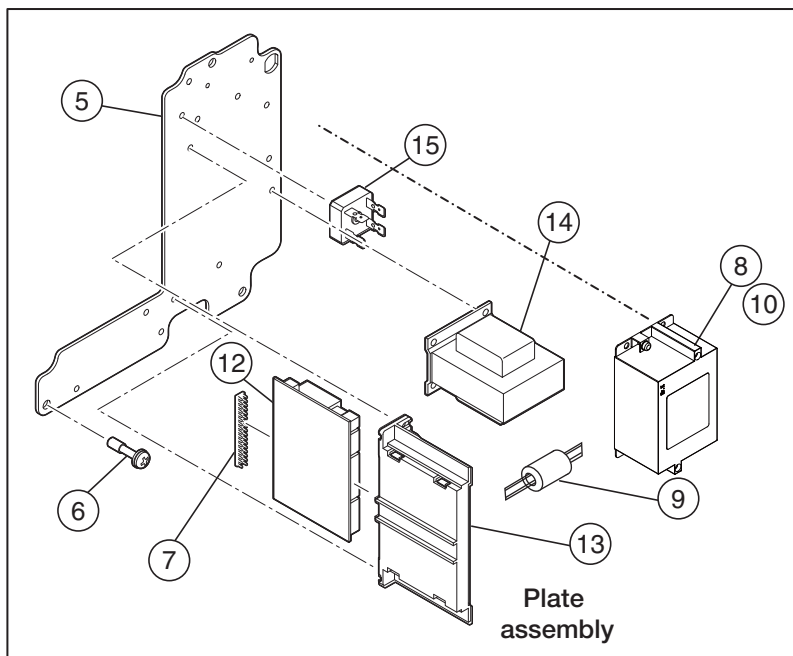
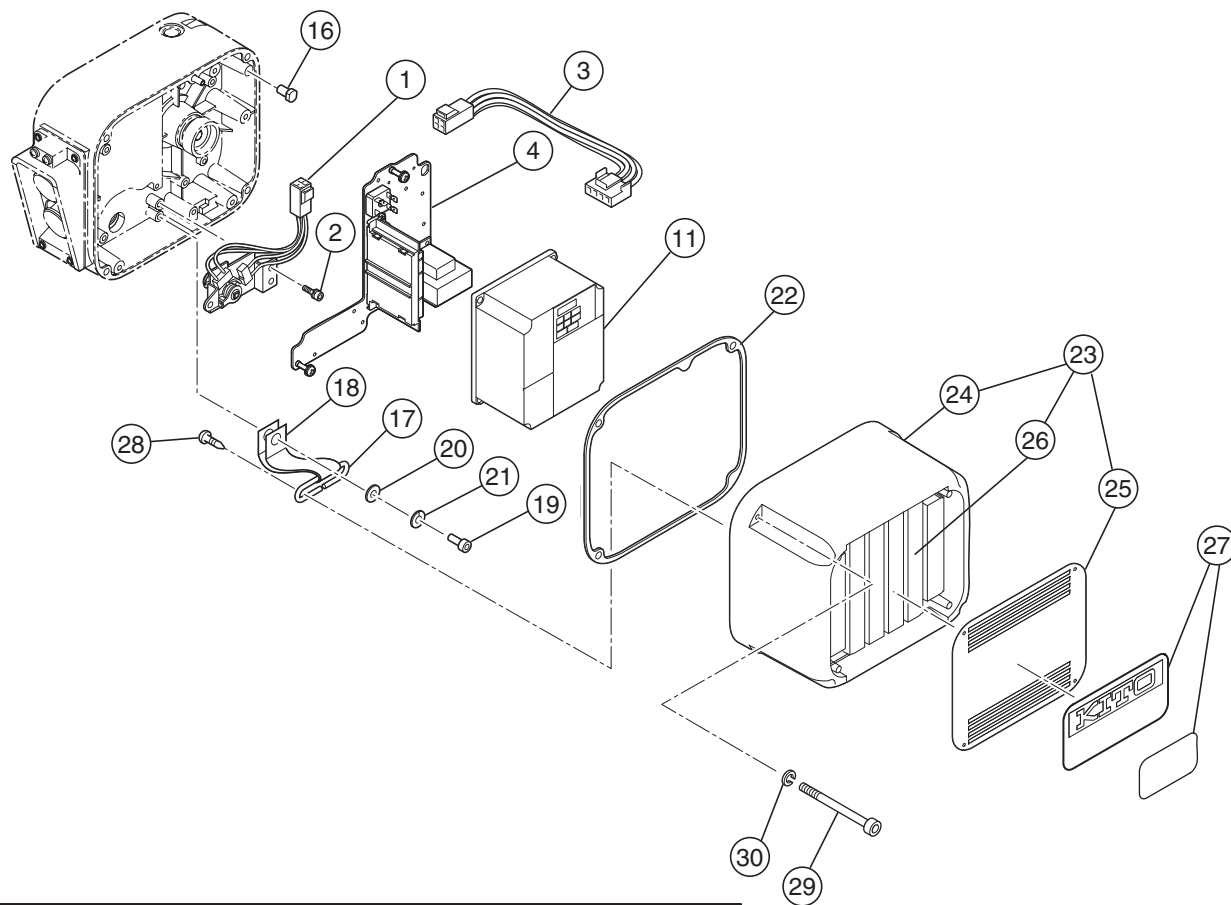
Controller cover electric component

ER2-025S,ER2-050S

Figure #	Part Number	Part Name	Quantity per unit	ER2-F		Remark
				ER2-025S	ER2-050S	
1	1060	Limit switch complete set	1	ER2CI1060	←	
2	124	Machine screw socket bolt	3	J1BG1-0601212	←	For limit switch
3	1441	Plate assembly	1	ER2BFC20S5A2	←	230V
				ER2BFY20S5A2	←	400V
4	441	Plate	1	ER2ES9441	←	
5	445	Plate screw	3	ER1BS9445	←	
6	577	Transformer	1	TRF13C211	←	230V
				TRF13Y211	←	400V
7	578	Electromagnetic contactor	1	MGC23402B	←	For forward/reverse switching
8	580	Electromagnetic contactor	1	MGC14302C	←	For emergency stop
9	583	Lead wire	1	ER2BEE20S9A2	←	
10	582	CH meter	1	ECP91CHBA	←	
11	597	CH meter support	1	ECP99BKBA	←	
12	598	Rectifier	1	ECP94DIAA	←	
13	602	Fuse	1	ECP91FZ02	←	
14	603	Fuse holder	1	ECP92FZAA	←	
15	838	Name plate CH	1	ECP99CHAA	←	
16	449	Fulcrum pin	1	ER2CS9449	←	Plate rotation center pin
17	456	Cover suspender	1	ER2CS9456	←	
18	457	Cover belt	1	ER2CS9457	←	
19	458	Socket bolt	1	J1BE1-0601616	←	For cover belt (attached to gear case)
20	459	Plain washer	1	ER1BS9436	←	For cover belt (attached to gear case)
21	460	Spring lock washer	1	J1WS011-10060	←	For cover belt (attached to gear case)
22	117	Packing C	1	ER2FS9117	←	For controller cover
23	109	Balancer	1	ER2FS9108	←	
24	162	Socket bolt	3	J1BE1-0802525	←	For balancer
25	162	Spring lock washer	3	J1WS011-20080	←	For balancer
26	104	Controller cover	1	ER2FS9104	←	
27	801	Name plate B	1			
	802	Name plate D	1			
28	114	Pan head machine screw	2	J1AK2-5001212	←	For cover suspender (attached to controller cover)
29	153	Machine screw socket bolt	4	J1BG1-0504022	←	For controller cover

Controller cover electric component (Inverter dual speed)

ER2-025IS,ER2-050IS



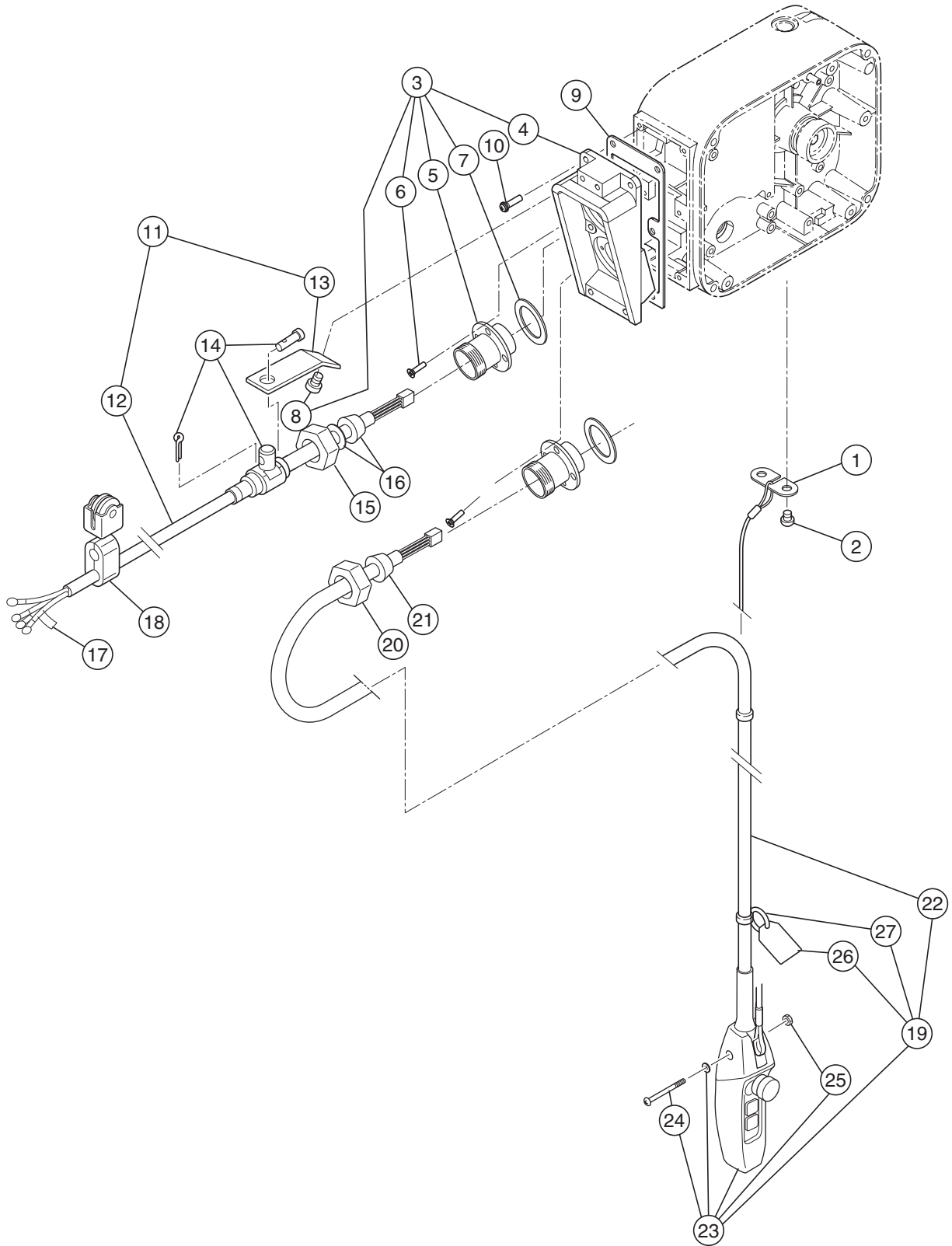
Controller cover electric component (Inverter dual speed)

ER2-025IS,ER2-050IS

Figure #	Part Number	Part Name	Quantity per unit	ER2-F		Remark
				ER2-025IS	ER2-050IS	
1	1060	Limit switch complete set	1	ER2CI1060	←	
2	124	Machine screw socket bolt	3	J1BG1-0601212	←	For limit switch
3	554	LS harness	1	ER2CI9554	←	
4	1441	Plate assembly	1	ER2BMC2015A2	←	230V
				ER2BMY2015A2	←	400V
5	441	Plate	1	ER2EI9441	←	
6	445	Plate screw	3	ER1BS9445	←	
7	448	Bushing	1	ECP99JBAC	←	For interface board fixing
8	5463	Noise filter	1	ECP93NFAA	←	230V
				ECP93NFAB	←	400V
9	465	Clamp filter	1	ECP99NFAA	←	For 3.5kw motor
10	583	Lead wire	1	ER2BMC2019A2	←	
11	1571	Inverter assembly	1	INV637C21	←	230V
				INV637Y21	←	400V
12	508	Interface board	1	ECP91KB01	←	
13	509	Board support	1	ECP99BKAA	←	
14	577	Transformer	1	TRF12C212	←	230V
				TRF12Y212	←	400V
15	598	Rectifier	1	ECP94DIAA	←	
16	449	Fulcrum pin	1	ER2CS9449	←	Plate rotation center pin
17	456	Cover suspender	1	ER2CS9456	←	
18	457	Cover belt	1	ER2CS9457	←	
19	458	Socket bolt	1	J1BE1-0601616	←	For cover belt (attached to gear case)
20	459	Plain washer	1	ER1BS9436	←	For cover belt (attached to gear case)
21	460	Spring lock washer	1	J1WS011-10060	←	For cover belt (attached to gear case)
22	117	Packing C	1	ER2FS9117	←	For controller cover
23	2104	Controller cover assembly	1	ER2FI2104	←	230V
				ER2FI1104	←	400V
24	104	Controller cover	1	ER2FI910	←	
25	185	Resistor cover	1	ER2EI9185	←	
26	5505	Braking resistor assembly	1	INV735E16	←	230V
				INV735Y16	←	400V
27	801	Name plate B	1			
	802	Name plate D				
28	114	Pan head machine screw	2	J1AK2-5001212	←	For cover suspender (attached to controller cover)
29	153	Socket bolt	4	J1BE1-0604024	←	For controller cover
30	154	Toothed lock washer	4	J1WH012-10060	←	For controller cover

Power supply cable, push button (Direct connection)

ER2-025S/IS, ER2-050S/IS



3 push button cord
complete set

Power supply cable, push button (Direct connection)

ER2-025S/IS,ER2-050S/IS

Figure #	Part Number	Part Name	Quantity per unit	ER2-F		Remark
				ER2-025S/IS	ER2-050S/IS	
1	535	Cord support(wire stopper)	1	ER1BS9534	←	
2	536	Machine screw with spring washer	2	J1AP2-5001212	←	For cord support L
3	2511	Socket frame complete set	1	ER2CS2511	←	
4	511	Socket frame	1	ER2CS9511	←	
5	575	Holder C	2	ECP5924AL	←	
6	517	Tapping flat head machine screw	8	E6SE003S9551	←	For holder C
7	568	Holder packing	2	ECP5924AM	←	For holder C
8	546	Machine screw with spring washer	2	J1AP2-6001616	←	For cable support arm
9	512	Socket frame packing	1	ER2CS9512	←	
10	516	Machine screw with spring washer	6	J1AP-5002020	←	For socket frame
11	1521	Power supply cable 4C assembly	1	ZBZB12CJ1000	←	
12	521	Power supply cable 4C	1	VCT-KYN 4C×1.25mm ²		
13	541	Cable support arm	1	ER1BS9541	←	
14	1542	Cable support 12 assembly	1	E7AX003S2822		
15	569	Holder A	1	ECP5924AA	←	
16	574	Cable packing	1	ECP6912AA	←	
17	823	Name plate G	1	E6LE010S9806	←	
18	1527	Cable hanger 14 assembly	n	X	X	
19	1557	3 push button cord 4C complete set	1			
20	341	Holder A	1	ECP5924AA	←	
21	351	Cable packing	1			
22	557	Push button cord 4C	1			
23	1561	3 push button switch assembly	1			
24	626	Machine screw	1	J1AP2-4002608	←	
25	627	Nut	1	J1AN004-10040	←	
26	567	Warning tag PB	1			
27	568	Tag holder	1	E7SE003S9787	←	

KITO

URL. <http://www.kito.co.jp>