

KITO

Electric Chain Hoist Model ER2 Up to 20 Tons



The New One

Durable, safe,
easy to use

Made in Japan!

- > **Frequency inverter technology**
Exact positioning of the load
- > **New electromagnetic brake**
Improved performance and safety
- > **Newly developed load sheave**
Smooth and low-noise operation
- > **High FEM classification**
M6/3m for capacities up to 500 kg and 2 speeds (dual speed)
- > **Upgraded annealing process of load chain**
Ensures ultimate resistance and durability

**10 Year
warranty on
brake**

Product Warranty: 3 years product warranty and 10 years warranty on the brake system.

The guarantee is only valid if the operating conditions, inspection and maintenance intervals as described in the owner's manual are followed

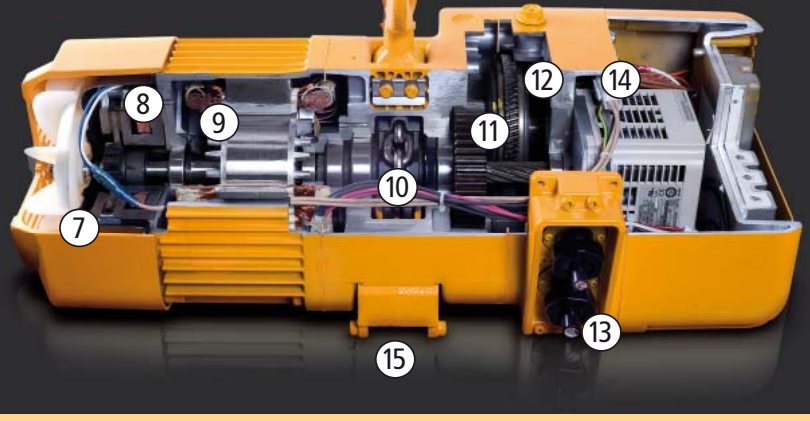
Source: Indukran

www.kito.net

Kito Europe GmbH
 Heerdter Lohweg 93
 D-40549 Düsseldorf
 Tel. + 49 (0) 211 - 52 80 09 - 0
 Fax + 49 (0) 211 - 52 80 09 - 59
 info@kito.net
 www.kito.net

KITO HOISTS

Always on the safe side



- Standards:**
- > 400V / 50Hz
 - > Frequency inverter for 2 lifting speeds
 - > Contactor control for single speed
 - > CH-Meter: operating hours / number of starts
 - > Ergonomic push button control
 - > Electromagnetic brake
 - > Upper-lower limit switch
 - > Canvas chain container
 - > Nickel-plated load chain DAT (G 80) Standard EN 818-7
 - > Thermal protector
 - > Carbon friction clutch

- Options:**
- > 500 V / Contactor control
 - > 230 V / 50 Hz / 60 Hz, 3 phase

- > Rubber bumpers for motorized trolleys
- > Additional mechanical brake
- > Electrical overload limiter

- > Acoustic overload signal
- > Radio remote control
- > Variable speed control

- > Level limit switch
- > Steel chain container
- > Trolley versions: motorized, geared and plain

1. Top hook suspension:
 Hook or overhead mounting suspension can be attached or dismantled with very little effort (except for F-body)

2. Aluminium die-cast body:
 Very robust design, extreme durable body

3. Chain container:
 Canvas chain container

4. Load chain:
 Nickel-plated load chain, grade DAT (G 80) Standard EN 818-7

5. Push button control:
 ergonomic design, improved durability

6. Bottom Hook:
 360° pivotable, eliminates twisting of the load chain

7. External motor fan:
 Aluminium die-cast motor frame with external motor fan reduces a rise in heating during frequent operation

8. Electromagnetic brake:
 Produces a strong braking power (force) and secures the load

9. Thermal motor protector:
 A sensor cuts the power in the case of overheating

10. Chain guide:
 Uniquely developed design, ensures very smooth chain-feeding

11. Gearbox:
 Helical gears offer a smooth and quiet operation

12. Friction clutch:
 Recently developed by KITO as an overload protection which interrupts the transmission power from the motor

13. Direct wiring:
 Easy to connect and disconnect using special internal connectors

14. CH (counter hour) meter and lifting cycle counter are integrated in the frequency inverter:
 Allows an efficient control of maintenance intervals

15. Upper-lower limit switch:
 Turns the motor off when the highest or lowest points have been reached.

Technische Angaben

Capacity (t)	Product Code	Body Size	Lifting motor		Lifting speed (m/min.)			Load chain		Classification ISO/FEM	Testload (kg)	Net weight (kg)	Additional Weight per 1 m lift
			Output (kW)	Rating (%ED)	50Hz		Diameter	x Chain falls					
					Fast	Slow							
125 kg	ER2-001IH	B	0,56		Preset	16,6	2,8	4,3	x 1	M6/3m	156 kg	27	0,42
	Adjustable					1,4							
250 kg	ER2-003IS		0,9		Preset	10,8	1,8				313 kg	36	
	Adjustable					0,9							
500 kg	ER2-003IH	C	0,56		Preset	15,7	2,6	6,0	x 1		625 kg	32	0,81
	Adjustable					1,3							
1,0	ER2-005IL	D	0,9	40/20	Preset	4,5	0,8	7,7	x 1	M5/2m	1,25	45	1,33
	Adjustable					0,4							
1,6	ER2-010IL				Preset	8,5	1,4				2,5	73	2,3
	Adjustable					0,7							
2,0	ER2-010IS	E			Preset	4,2	0,7	10,2	x 1		3,13	100	2,8
	Adjustable					0,3							
2,5	ER2-016IS		1,8		Preset	8,2	1,4				4	105	4,7
	Adjustable					0,7							
3,2	ER2-020IL	F	3,5		Preset	5,3	0,9	11,2	x 1	M4/1Am	6,25	128	5,6
	Adjustable					0,4							
5,0	ER2-020IS				Preset	4,3	0,7				4	105	4,7
	Adjustable					0,4							
2,5	ER2-025IS				Preset	8,2	1,4				6,25	128	5,6
	Adjustable					0,7							
3,2	ER2-032IS	E			Preset	6,6	1,1	10,2	x 2		4	105	4,7
	Adjustable					0,6							
5,0	ER2-050IS	F			Preset	5,2	0,9	11,2	x 2		6,25	128	5,6
	Adjustable					0,3							

* Note: The high speed is preset to the maximum speed in KITO factory. The speed is adjustable between high and low. Higher capacities on request.

Disclaimer:
 KITO does not assume liability for inappropriate usage of products.
 Operating instructions must be followed at all times.
 Subject to technical change, misprint and errors.

Contact
 Kito Europe GmbH / Heerdter Lohweg 93 / D-40549 Düsseldorf
 Tel. +49 (0) 211 / 52 80 09 - 0 / Fax +49 (0) 211 / 52 80 09 - 59
 info@kito.net / www.kito.net