

CDER2 Dual Speed / Single Speed Cylinder Control

Electric Chain Hoist with Hook Suspension

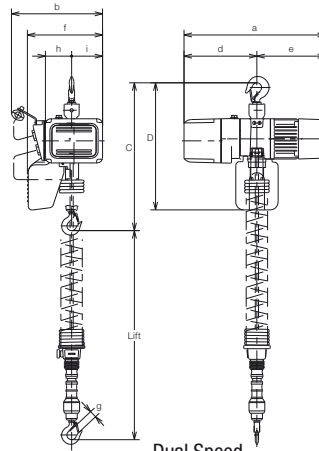
> The CDER is supplied with a plastic chain container



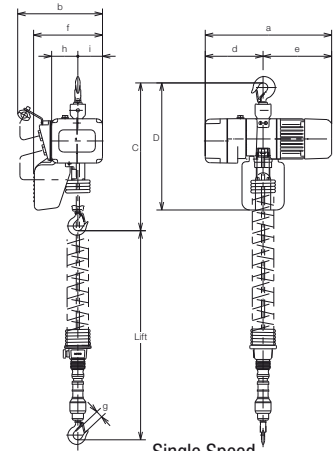
Dual Speed



Single Speed



Dual Speed



Single Speed

Technical Specifications

Capacity (t)	Product Code	Hoist Body	Standard Lift (m)	Lifting Motor		Lifting Speed (m/min)*		Load Chain		Classification ISO/FEM	Test Load (t)	Net Weight (kg)	Additional Weight per 1m Lift (kg)
				Output (kW)	Rating (%ED)	50Hz		Diameter (mm) x Chain-Falls					
						high	low						
125 kg	ER2C001IH	B	1,8	0,56	40/20	Preset	16,6	2,8	4,3 x 1	M5/2m	156 kg	29	0,42
						Adjustable		1,4					
250 kg	ER2C003IS					Preset	10,8	1,8					
						Adjustable		0,9					

*Note: The high speed is preset to the maximum speed at the KITO factory in Japan. The low speed can be increased or respectively reduced.

Single Speed / Dimensions (mm)

Capacity (t)	Product Code	Hoist Body	Standard Lift (m)	Lifting Motor		Lifting Speed (m/min)*		Load Chain		Classification ISO/FEM	Test Load (t)	Net Weight (kg)	Additional Weight per 1m Lift (kg)
				Output (kW)	Rating (%ED)	50Hz		Diameter (mm) x Chain-Falls					
						high	low						
125 kg	ER2C001H	B	1,8	0,56	60	14,1		4,3 x 1	M5/2m	156 kg	30	0,42	
250 kg	ER2C003S					9,1							

Dimensions (mm)

Capacity (t)	Product Code	Min. Headroom C	D	a	b	d	e	f	g	h	i
125 kg	ER2C001IH	1065	490	535	345	276	259	284	27	99	117
250 kg	ER2C003IS										
125 kg	ER2C001HD	1065	490	478	321	219	259	260	27	99	93
250 kg	ER2C003SD										
125 kg	ER2C001H	1065	490	478	321	219	259	260	27	99	93
250 kg	ER2C003S										