



Original Instruction

EQ Series Electric Chain Hoist (125kg to 1t)

Suspension Hook

Owner's Manual (Supplement)

Contents

1.Safety Precautions	1
2.Replacing the Suspension Eye	2
3.Type and Names of Each Part	4
4.Opening the Package	5
5.How to Use	5
6.Installation.....	5
7.Frequent Inspection	6
8.Periodic Inspection	7
9.Appendix	7

1.Safety Precautions

DANGER



Mandatory

This owner's manual addresses specific characteristics of the Suspension hook.

Prior to use, read this manual and the "EQ Series Electric Chain Hoist (125kg-1t) Owner's Manual" (separate manual) and follow their instructions.

Failure to comply with these instructions may result in death or serious injury.



Prohibited

Do not connect the Hook Suspended Type to a trolley.

Failure to comply with this instruction may result in death or serious injury.

2.Replacing the Suspension Eye

DANGER



Prohibited

- **Only competent persons must disassemble/reassemble the electric chain hoist.**
Disassembly/reassembly by anyone other than competent persons may result in death or severe injury.
- **Do not use unauthorized parts for KITO electric chain hoist.**
Even if the part is an authorized part, it may not be used for a different model.
Failure to comply with these instructions may result in death or serious injury.

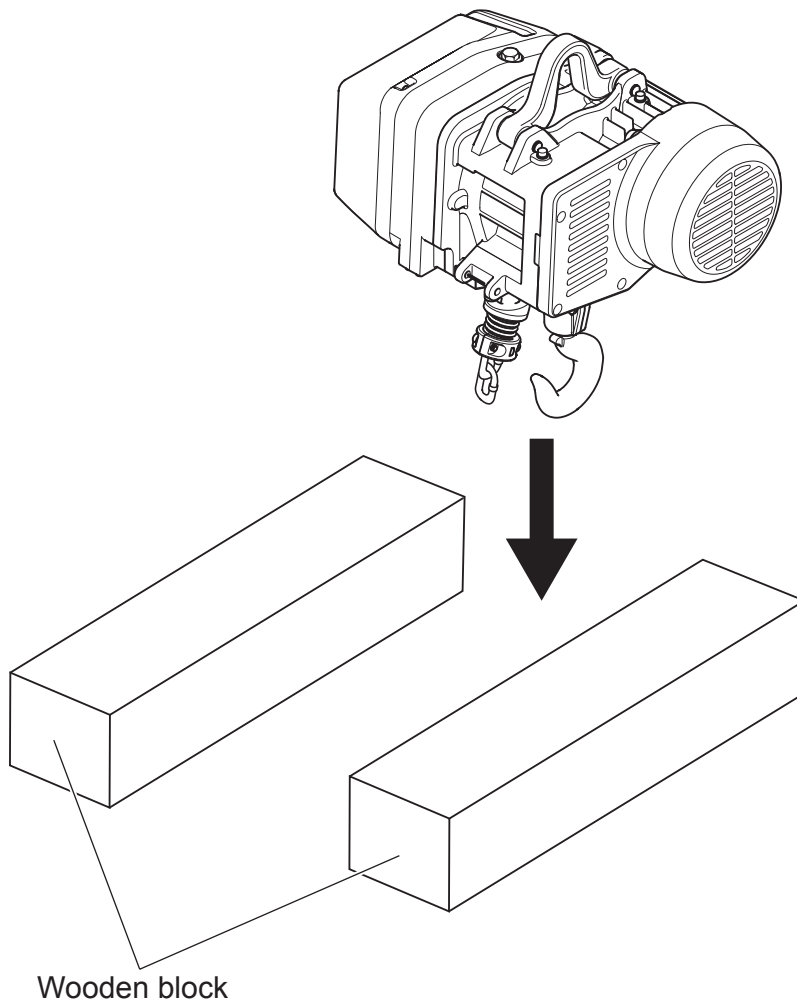


Mandatory

- **Tighten the bolts and nuts with the specified tightening torque.**
Failure to comply with this instruction may result in death or serious injury.

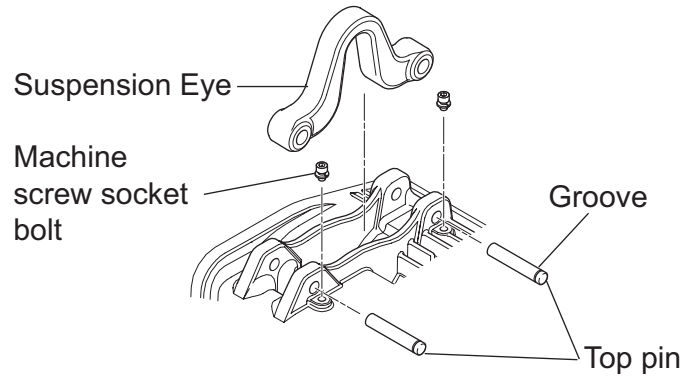
The Suspension eye is attached to the electric chain hoist at shipping.
Refer to the following procedure of removing the suspension eye and replacing it with the suspension hook.

Before replacement, place the electric chain hoist unit on wooden blocks, as shown below.
Furthermore, use two wooden blocks, and create space so as not to damage the limit switch and load chain on the bottom of the unit.



● Removing the suspension eye

- 1) Remove the machine screw socket bolts pull out the top pins and remove the suspension eye. Make use of a groove in the top pin.



● Assembling the suspension hook

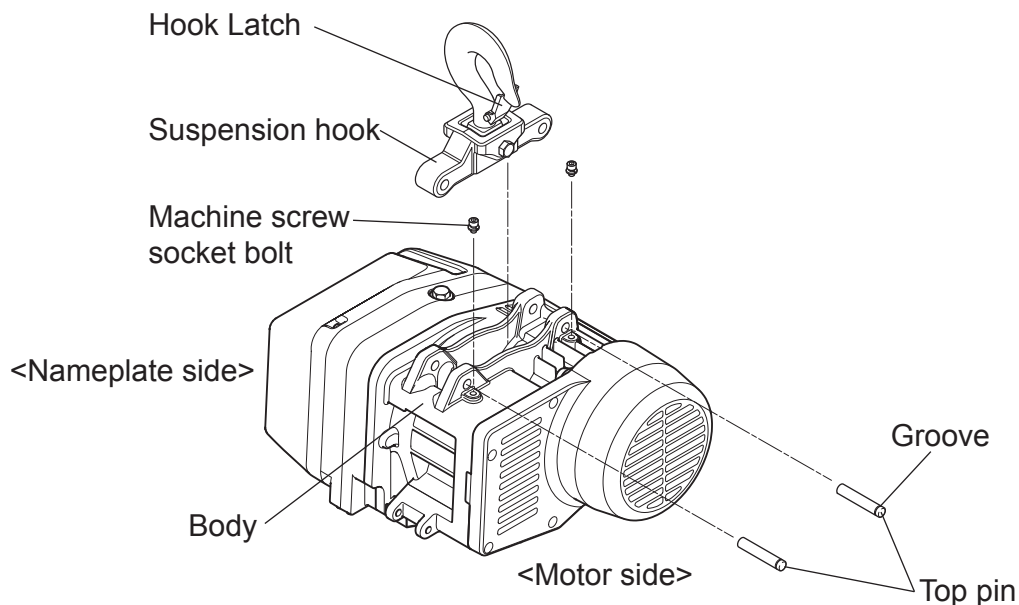
NOTE

Suspension hook is packaged with the Electric Chain Hoist.

- 1) Assemble the suspension hook to the body, using the top pins. Insert the top pins in such a manner that the grooved side will be visible.
- 2) Set the machine screw socket bolts onto the body to prevent the top pins from coming off. Tightening torque M6: 10.8 N•m

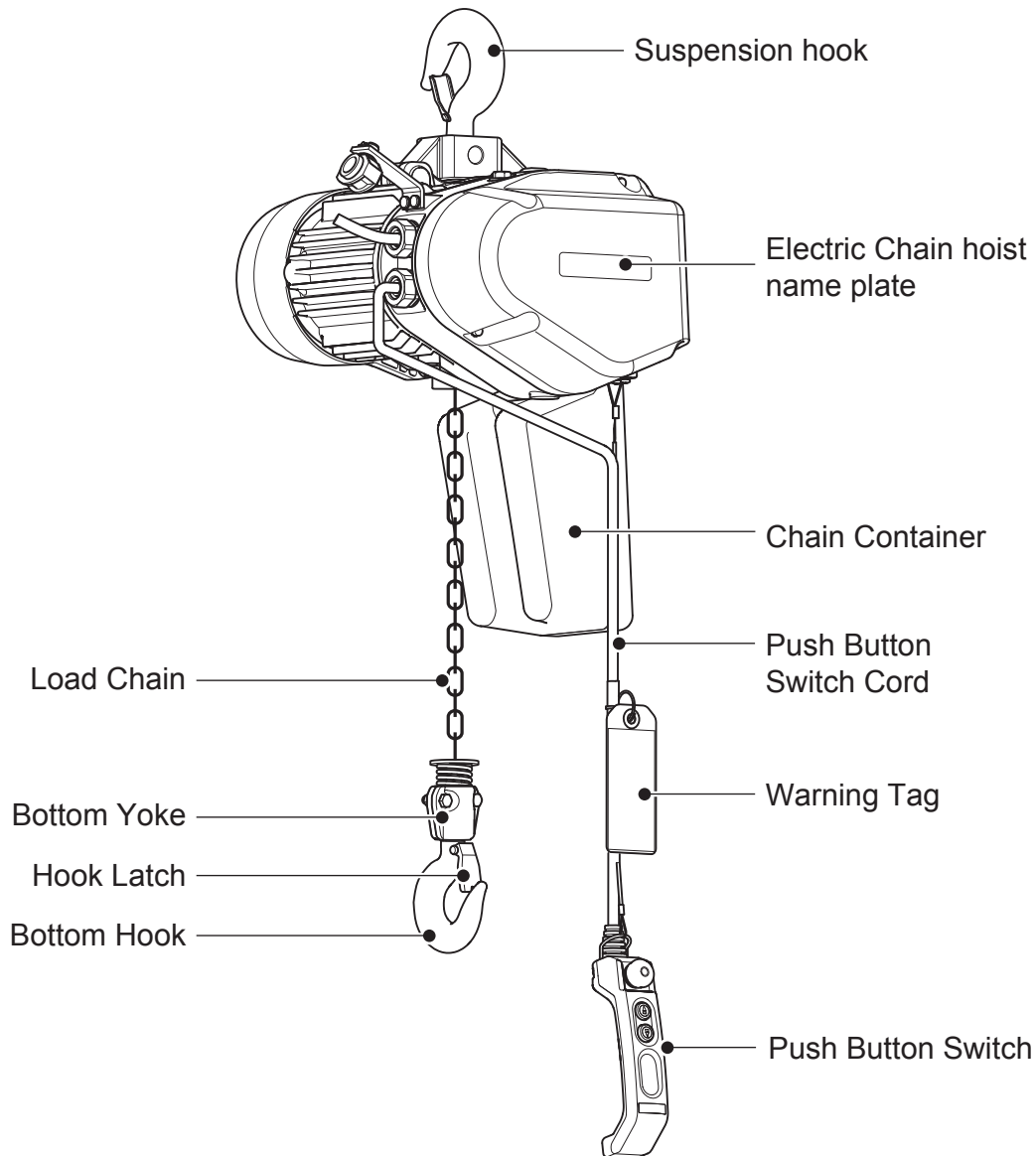
NOTE

Attach the suspension hook so that the hook latch faces the motor side as shown below.



3.Type and Names of Each Part

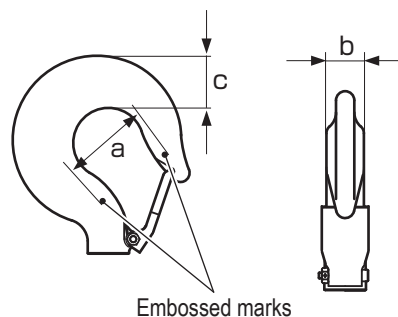
■ Hook Suspended Type (EQ)



4.Opening the Package

■ Recording the Initial Value

- When opening the package, fill in the table in the right with the opening dimension "a" between embossed marks on the Suspension Hook, the width of the hook "b", the thickness of the hook "c". Refer to "6.Installation".





Dimensions when the package was opened

Suspension Hook	Dimension a	mm
	Dimension b	mm
	Dimension c	mm

5.How to Use

■ Daily Inspection of Electric Chain Hoist (EQ)

■ Suspension Hook

Item	Check method	Criteria	When failed
Opening of the Hook	<ul style="list-style-type: none"> Check visually 	<ul style="list-style-type: none"> No apparent opening of the Hook 	Carry out Frequent inspection.
Abrasion	<ul style="list-style-type: none"> Check visually 	<ul style="list-style-type: none"> No apparent abrasion 	Carry out Frequent inspection.
Deformation, Flaw, Corrosion	<ul style="list-style-type: none"> Check visually 	<ul style="list-style-type: none"> No apparent deformation, flaw and corrosion 	Carry out Frequent inspection.
Hook Latch	<ul style="list-style-type: none"> Check visually and check the movement of the Hook Latch. 	<ul style="list-style-type: none"> The Hook Latch is mounted securely inside the Hook opening. No deformation. The Hook Latch moves smoothly. <div style="border: 1px solid black; padding: 5px; margin-top: 10px;"> <p style="text-align: center;"> DANGER</p> <div style="display: flex; align-items: center;">  <ul style="list-style-type: none"> Do not use the Hook without the Hook Latch. </div> <p>Use of the Hook without the Hook Latch may result in death or serious injury.</p> </div>	Replace the Hook Latch.
Top Yoke	<ul style="list-style-type: none"> Check visually 	<ul style="list-style-type: none"> No loosened bolt or nut 	Attach the Suspension Hook to the Top Yoke securely. Attach the Top Yoke to the Body securely.

6.Installation

■ Installing the Hook Suspended Type (hoist only)

■ Checking Installation Method and Place

DANGER



Mandatory

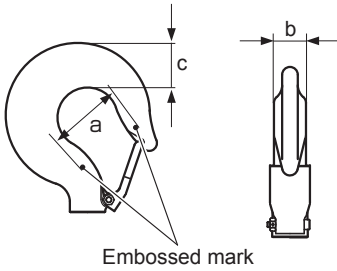

- When using an electric chain hoist suspended (as a single unit) without combination with a trolley, make sure that the Hook Latch of the Suspension Hook closes securely.
- Install the electric chain hoist so that the Suspension Hook and body can swing freely. (Make sure not to restrain the Suspension Hook and body when in use.)

Failure to comply with these instructions may result in death or serious injury.

7.Frequent Inspection

Electric Chain Hoist (EQ) Frequent Inspection

Suspension Hook

Item	Check method	Criteria	When failed																																												
<p>Opening and Abrasion of the Suspension Hook</p> 	<ul style="list-style-type: none"> Check visually and measure with vernier caliper. 	<div style="border: 1px solid black; padding: 5px;"> <p>⚠ CAUTION</p> <p>! Mandatory</p> <ul style="list-style-type: none"> Compare the dimensions of a, b and c with those at purchasing. Check that they are within the criteria. <p>The use of the Hooks with these dimensions exceeding the criteria may result in bodily injury or property damage.</p> </div> <table border="1" data-bbox="722 837 1305 987"> <thead> <tr> <th colspan="2">Measured value (mm)</th> <th>Limit value</th> </tr> </thead> <tbody> <tr> <td rowspan="3">Suspension Hook</td> <td>Dimension a</td> <td>Not to exceed the dimension at purchasing</td> </tr> <tr> <td>Dimension b</td> <td rowspan="2">Abrasion not to exceed 5%</td> </tr> <tr> <td>Dimension c</td> </tr> </tbody> </table> <ul style="list-style-type: none"> Following tables shows the nominal standard values. Please be aware that these values include tolerance because of forging. <p>Guidelines for Replacement or its criteria</p> <table border="1" data-bbox="544 1214 1394 1458"> <thead> <tr> <th rowspan="3">Code</th> <th rowspan="3">Capacity</th> <th colspan="5">Suspension Hook</th> </tr> <tr> <th>Dimension a (mm)</th> <th colspan="2">Dimension b (mm)</th> <th colspan="2">Dimension c (mm)</th> </tr> <tr> <th>Standard</th> <th>Standard</th> <th>Limit value</th> <th>Standard</th> <th>Limit value</th> </tr> </thead> <tbody> <tr> <td>EQ001IS</td> <td>125kg</td> <td rowspan="3">45.0</td> <td rowspan="3">17.5</td> <td rowspan="3">16.6</td> <td rowspan="3">23.5</td> <td rowspan="3">22.3</td> </tr> <tr> <td>EQ003IS</td> <td>250kg</td> </tr> <tr> <td>EQ005IS</td> <td>500kg</td> </tr> <tr> <td>EQ010IS</td> <td>1t</td> <td>50.0</td> <td>22.5</td> <td>21.4</td> <td>31.0</td> <td>29.5</td> </tr> </tbody> </table>	Measured value (mm)		Limit value	Suspension Hook	Dimension a	Not to exceed the dimension at purchasing	Dimension b	Abrasion not to exceed 5%	Dimension c	Code	Capacity	Suspension Hook					Dimension a (mm)	Dimension b (mm)		Dimension c (mm)		Standard	Standard	Limit value	Standard	Limit value	EQ001IS	125kg	45.0	17.5	16.6	23.5	22.3	EQ003IS	250kg	EQ005IS	500kg	EQ010IS	1t	50.0	22.5	21.4	31.0	29.5	<p>Replace the Suspension Hook.</p>
Measured value (mm)		Limit value																																													
Suspension Hook	Dimension a	Not to exceed the dimension at purchasing																																													
	Dimension b	Abrasion not to exceed 5%																																													
	Dimension c																																														
Code	Capacity	Suspension Hook																																													
		Dimension a (mm)	Dimension b (mm)		Dimension c (mm)																																										
		Standard	Standard	Limit value	Standard	Limit value																																									
EQ001IS	125kg	45.0	17.5	16.6	23.5	22.3																																									
EQ003IS	250kg																																														
EQ005IS	500kg																																														
EQ010IS	1t	50.0	22.5	21.4	31.0	29.5																																									
<p>Deformation, Flaw, Corrosion</p> 	<ul style="list-style-type: none"> Check visually. 	<ul style="list-style-type: none"> No deformation such as bend or twist No deep cut No loosened bolt or nut, or their fall off No considerable corrosion No attachment of foreign matter such as sputter 	<p>Replace the Suspension Hook.</p>																																												

8.Periodic Inspection

■ Suspension Hook

Item	Check method	Criteria	When failed
Number of start	<ul style="list-style-type: none"> Check the number of start with the CH Meter. 	<ul style="list-style-type: none"> Number of start must not exceed the "Guidelines for Replacement" . 	Replace the Suspension Hook.

■ Guidelines for Replacement

Rate of loading		Number of start to replace parts	Every million times	Every 1.5 million times	Every 2 million times
Light	A case where the capacity is rarely applied. Usually the hoist is used with a light load.				○
Medium	A case where the capacity is applied considerably frequently. Usually the hoist is used with a medium load.			○	
Heavy	A case where the capacity is applied considerably frequently. Usually the hoist is used with a heavy load.		○		
Ultra heavy	A case where the capacity is applied constantly.		○		

9.Appendix

■ Parts List

■ Body, gear case, motor

The following list is of parts specific to the Suspension hook.

For parts not in the list, refer to section "PARTS LIST" in the owner's manual, "EQ Series Electric Chain Hoist (125kg to 1t).

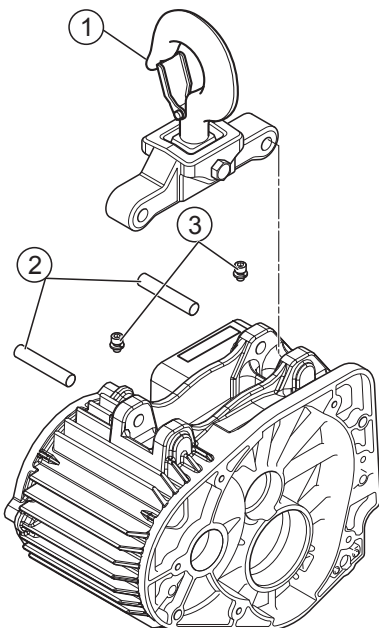


Figure #	Part Number	Part Name	Quantity per unit	Part Code			
				EQ001IS	EQ003IS	EQ005IS	EQ010IS
1	1012	Suspension hook	1	EQ1C11013	←	←	EQ1D11013
2	121	Top pin	2	EQ1C19121	←	←	EQ1D19121
3	033	Machine screw socket bolt	2	J1BG1-0601010	←	←	←

KITO

Global Website: kito.com

KITO Europe GmbH

Heerdter Lohweg 93, D-40549 Düsseldorf, Germany

TEL: +49-(0)211-528009-00-0

FAX: +49-(0)211-528009-59

E-mail: info@kito.net

URL: <http://www.kito.net/>

KITO corporation

Tokyo Head Office:

SHINJUKU NS Building 9F, 2-4-1, Nishi-Shinjuku, Shinjuku-ku, Tokyo 163-0809, Japan

URL: <http://kito.com/>

Head Office & Factory:

2000 Tsuijiarai Showa-Cho, Nakakoma-Gun, Yamanashi 409-3853, Japan

URL: <http://kito.com/>



Utilizing 70% post-consumer recycled paper pulp