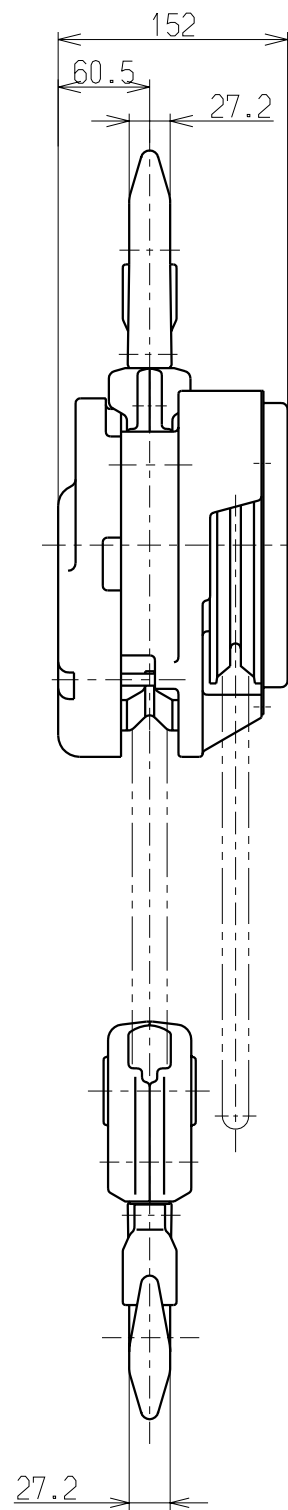
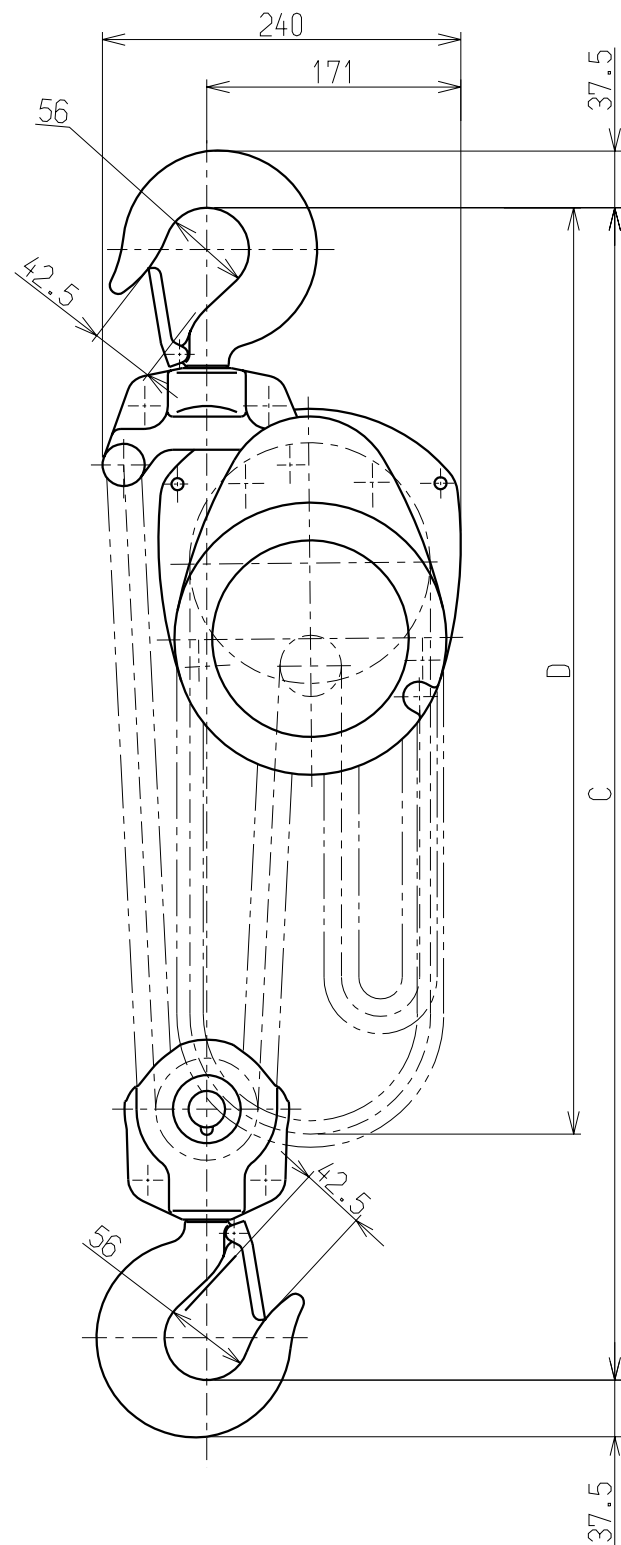


1 2 3 4 5 6 7 8 9 10

A
B
C
D
E
F



Specifications	
Working load limit	3 t
Std. lift	3.0 m
Min. headroom :C	590 mm
Chain pull to lift full load	451 N (46 kgf)
Hand chain Length from top hook :D	3.0 m
Load chain size	7.1 × 21 mm
Mass	28 kg

Note:

CF SERIES 3 t			
MANUAL CHAIN HOIST			
CODE	CF030	SCALE	
DWG.NO.	C4FX030-13100	DATE	

APPROVED	CHECKED	DESIGNED
SAITO 2010.4.6	OZAWA 2010.4.6	NAITO 2010.4.6
KITO CORP.		