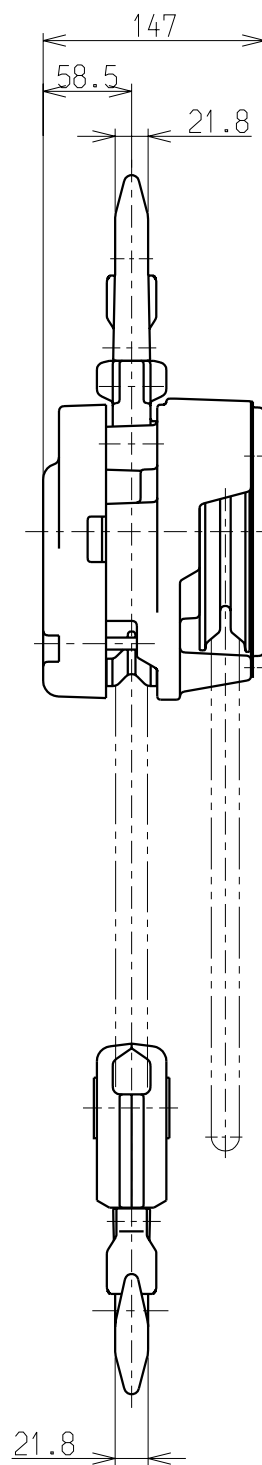
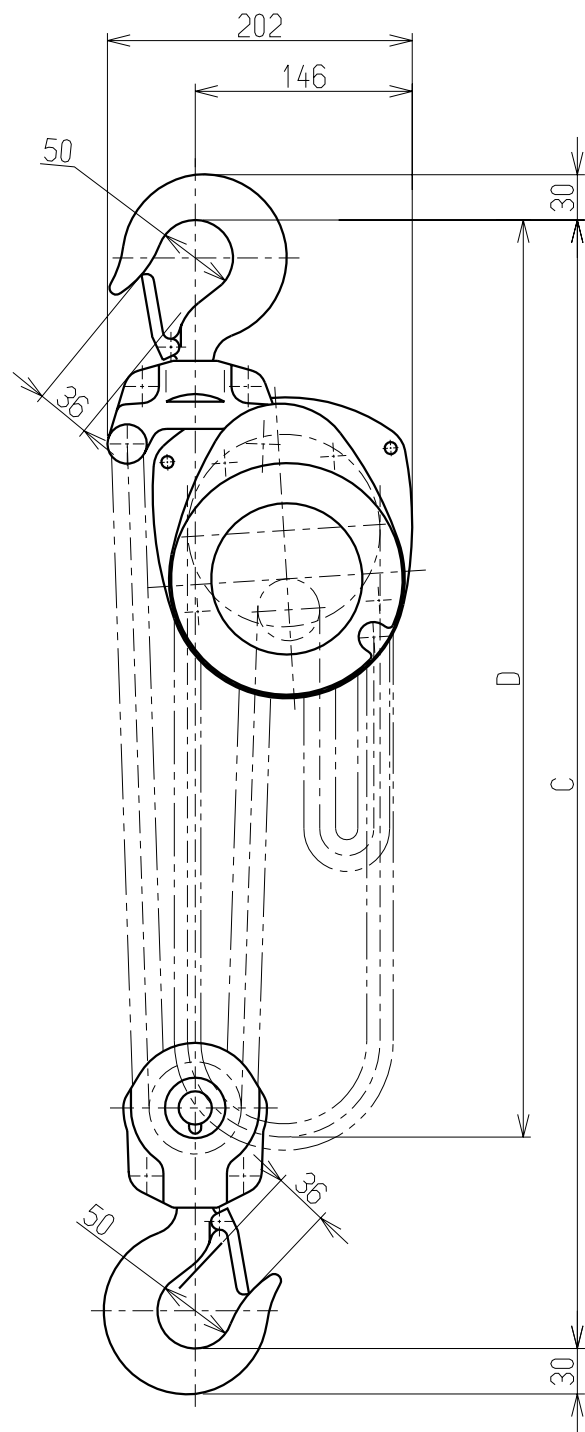


1 2 3 4 5 6 7 8 9 10

A
B
C
D
E
F



Specifications	
Working load limit	2 t
Std. lift	3.0 m
Min. headroom :C	510 mm
Chain pull to lift full load	392 N (40 kgf)
Hand chain Length from top hook :D	3.0 m
Load chain size	6.3 × 19 mm
Mass	21 kg

Note:

CF SERIES 2 t	
MANUAL CHAIN HOIST	
CODE	CF020
SCALE	
DWG.NO.	C4FX020-13100
DATE	

APPROVED	CHECKED	DESIGNED
SAITO 2010.4.6	OZAWA 2010.4.6	NAITO 2010.4.6
KITO CORP.		

UNIT : mm