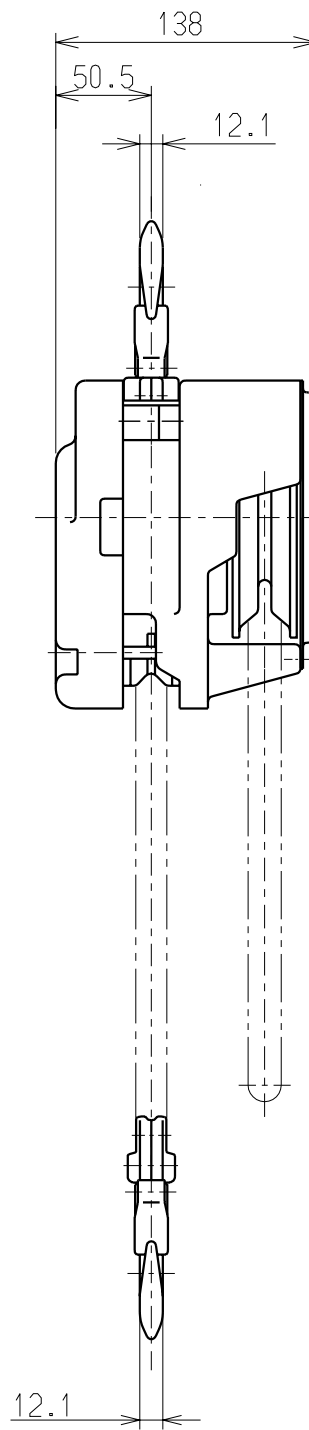
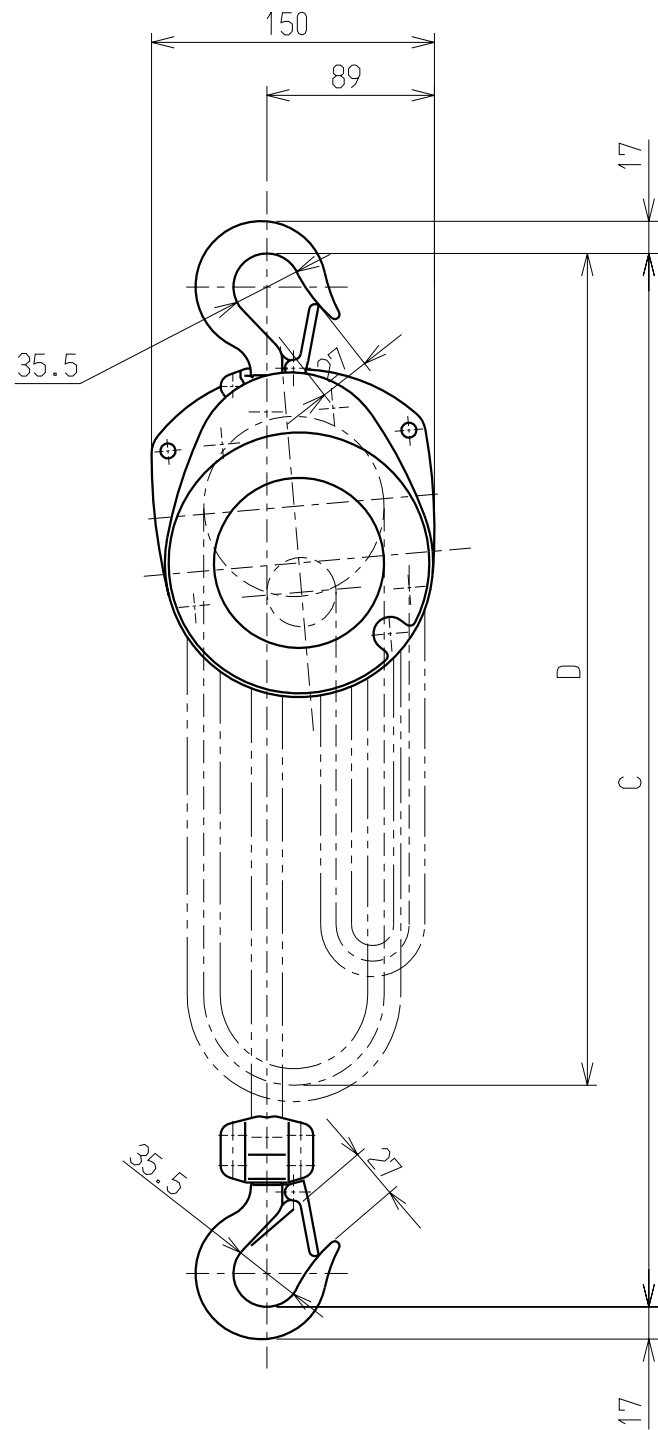


1 2 3 4 5 6 7 8 9 10

A
B
C
D
E
F



Specifications	
Working load limit	500 kg
Std. lift	3.0 m
Min. headroom :C	325 mm
Chain pull to lift full load	294 N (30 kgf)
Hand chain Length from top hook :D	3.0 m
Load chain size	5 × 15 mm
Mass	10.8 kg

Note:

CF SERIES 500kg
MANUAL CHAIN HOIST

APPROVED	CHECKED	DESIGNED
SAITO 2010.4.6	OZAWA 2010.4.6	NAITO 2010.4.6

CODE	CF005	SCALE	
DWG.NO.	C4FX005-13100	DATE	

KITO CORP.

UNIT : mm