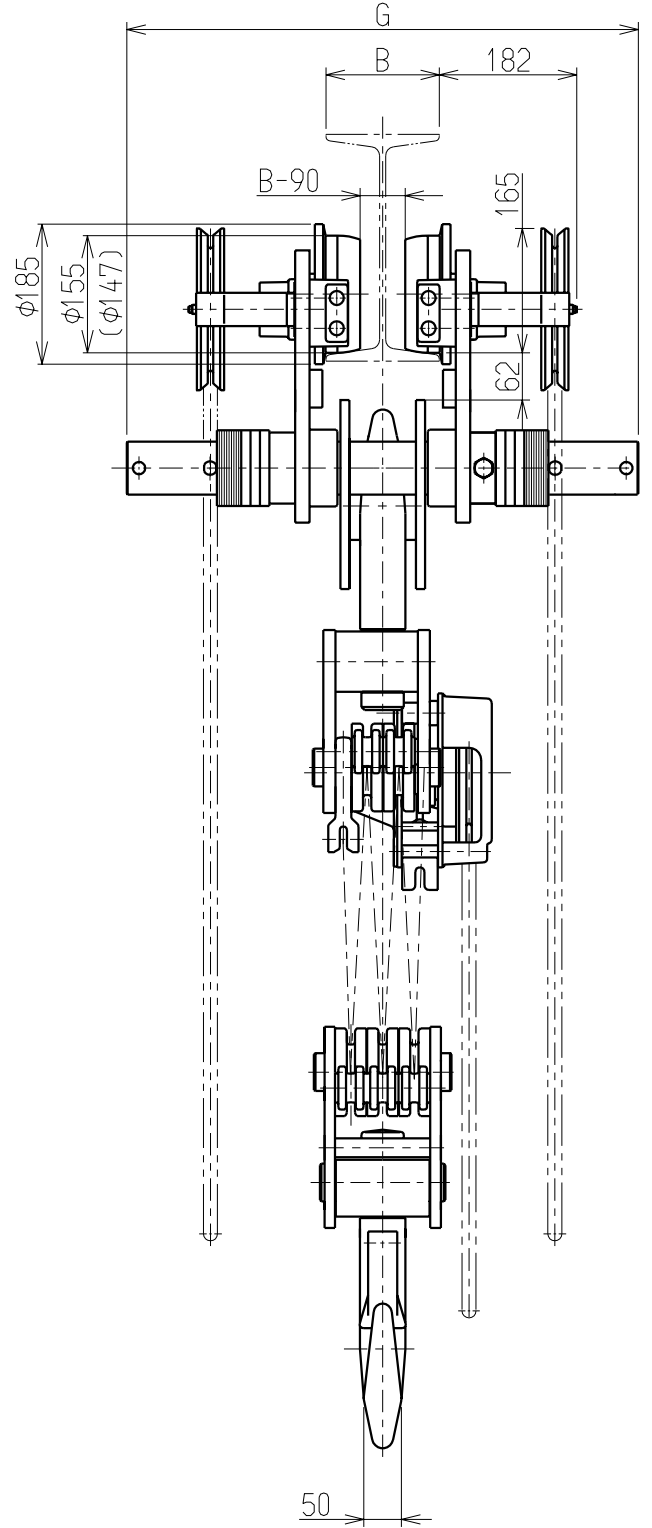
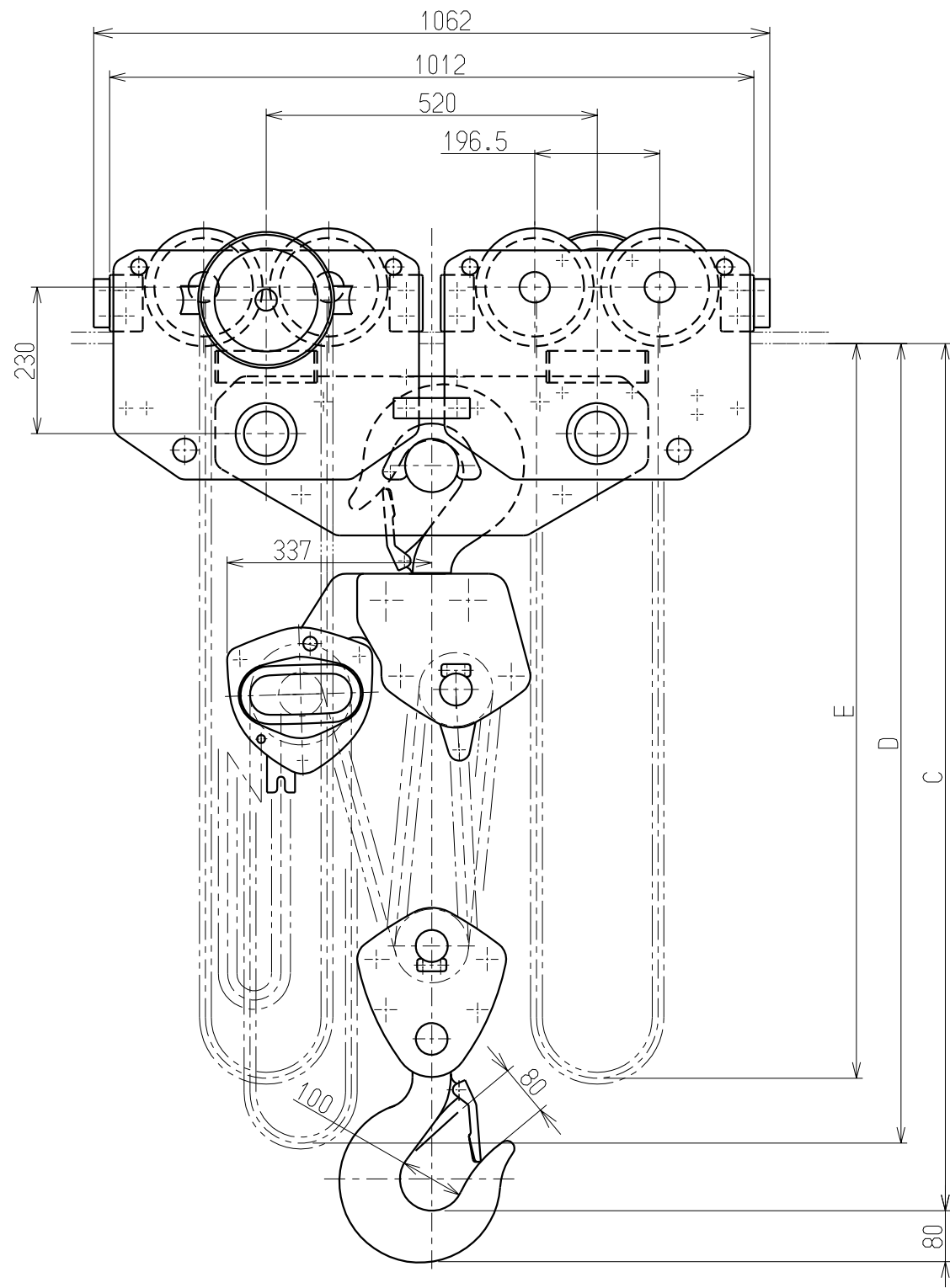


1 2 3 4 5 6 7 8 9 10

A
B
C
D
E
F



Particulars		
Nominal Capacity	15 t	
Lift	3.5 m	
Min. Headroom : C	1150 mm	
Chain Pull to Lift Full Load	363 N(37 kg)	
Hand Chain	for Lifting : D	4.8 m
	for Traversing : E	4.2 m
Min. Radius for Curve	∞	
Flange Width : B	* 150~220mm 221~305mm	
Max. Dimension of Trolley Width : G	607~677 mm 710~790 mm	
Mass	409 kg	

Note:
 Each trolley for tapered or flat flange is exclusive respectively.
 Figure in () shows diameter of track wheel for flat flange.
 Mass is when the flange width is assumed to be as marked (*).

APPROVED	CHECKED	DESIGNED
SAITO 2007.10.26	OZAWA 2007.10.26	NAITO 2007.10.26

15 t CBSG SERIES CHAIN HOIST WITH GEARED TROLLEY	
CODE	CBSG150
SCALE	1/10
DWG.NO.	C3BG150T5G-12100
DATE	

KITO CORP.

UNIT : mm