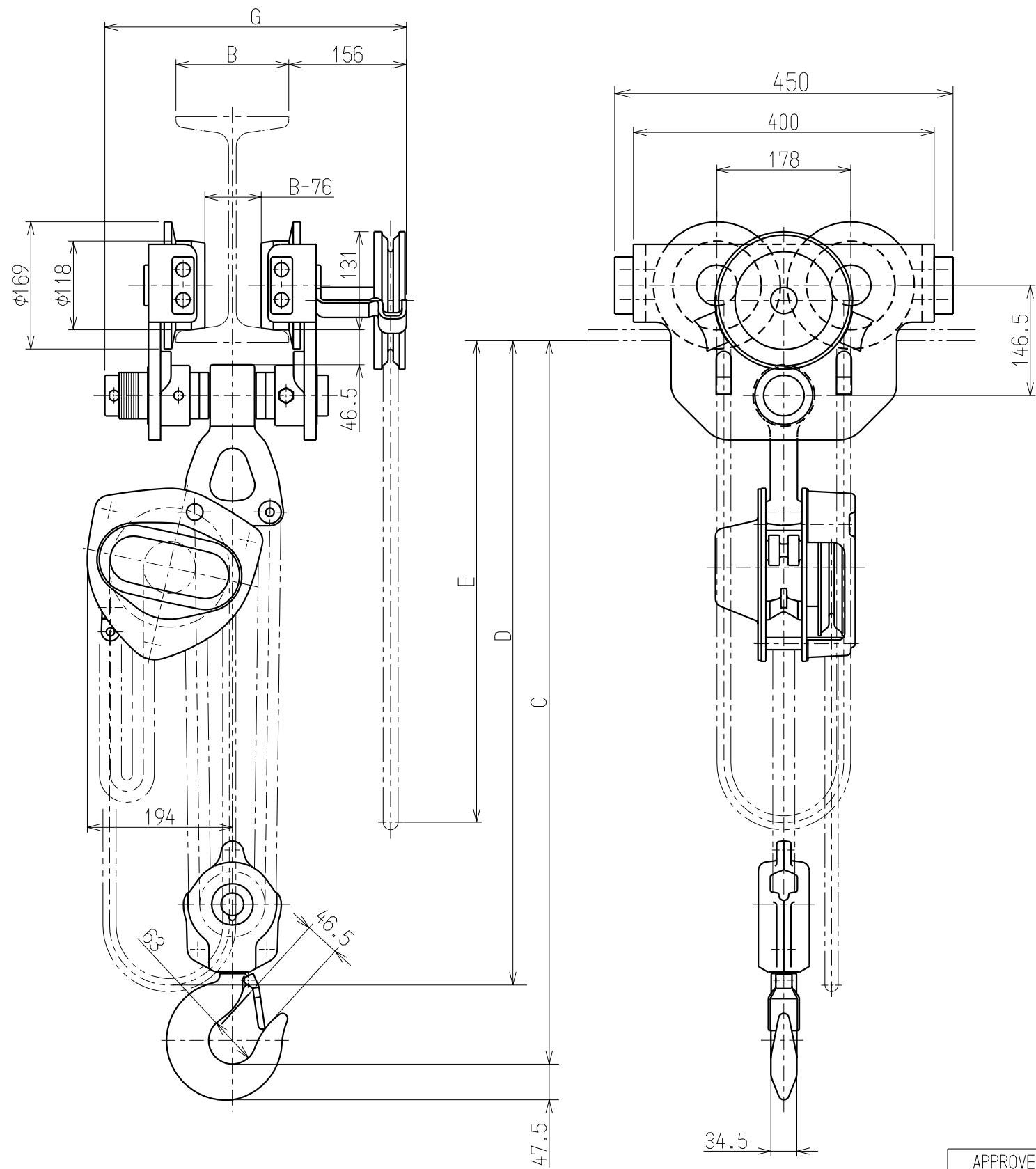


1 2 3 4 5 6 7 8 9 10

A
B
C
D
E
F



Particulars		
Nominal Capacity	5 t	
Lift	3.0 m	
Min. Headroom : C	660 mm	
Chain Pull to Lift Full Load	333 N (34 kg)	
Hand Chain	for Lifting : D	3.6 m
	for Traversing : E	3.2 m
Min. Radius for Curve	2300 mm	2400 mm
Flange Width : B	100~178mm	179~305mm
Max. Dimension of Trolley Width : G	401 mm	526 mm
Mass	92 kg	95 kg

Note:
The trolley can be installed on either tapered or flat flange.

5 t CBSG SERIES CHAIN HOIST WITH GEARED TROLLEY			
CODE	CBSG050	SCALE	1/7
DWG.NO.	C3BG050T7G-12100	DATE	

APPROVED	CHECKED	DESIGNED
SAITO 2007.10.26	OZAWA 2007.10.26	NAITO 2007.10.26
KITO CORP.		

UNIT : mm