

1 2 3 4 5 6 7 8 9 10

A

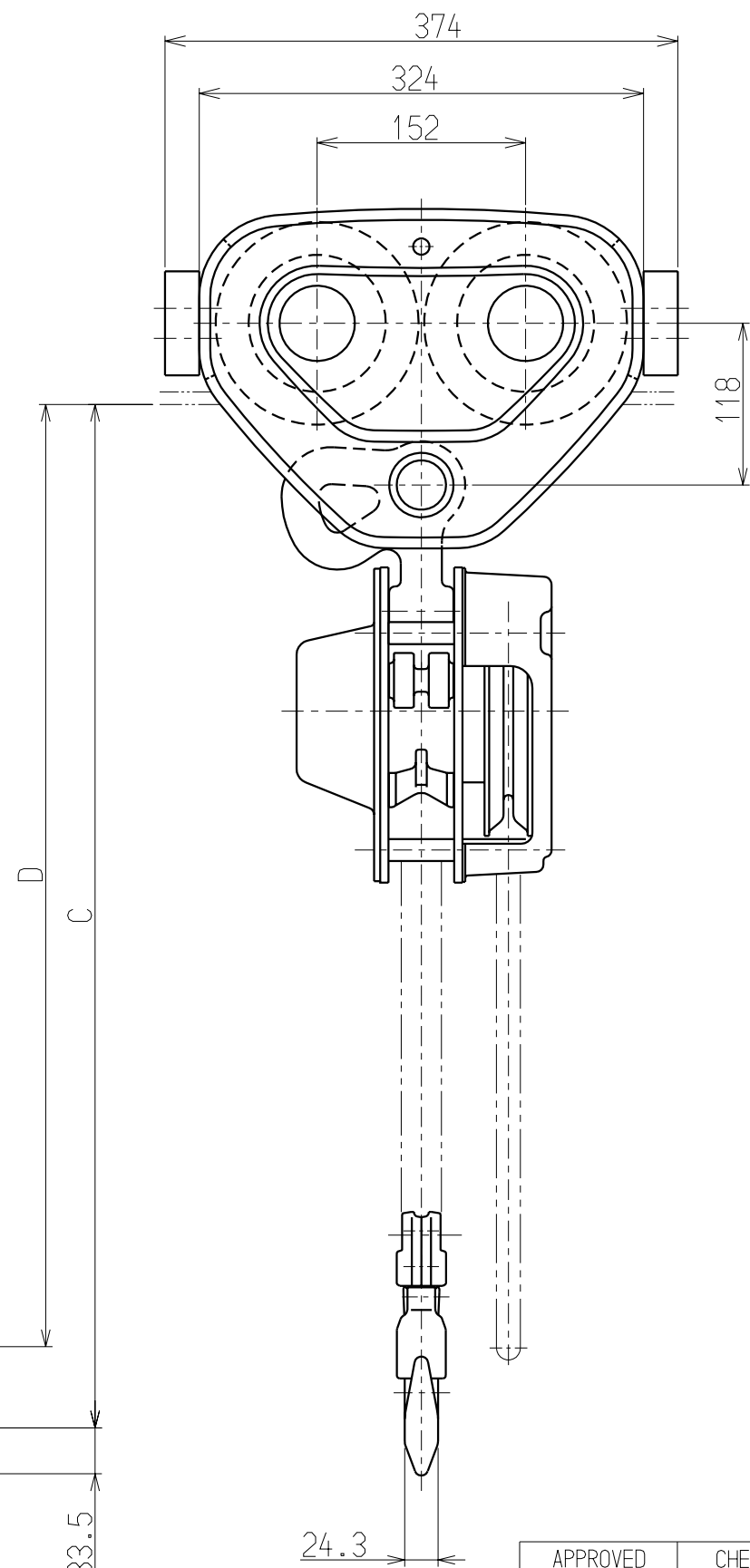
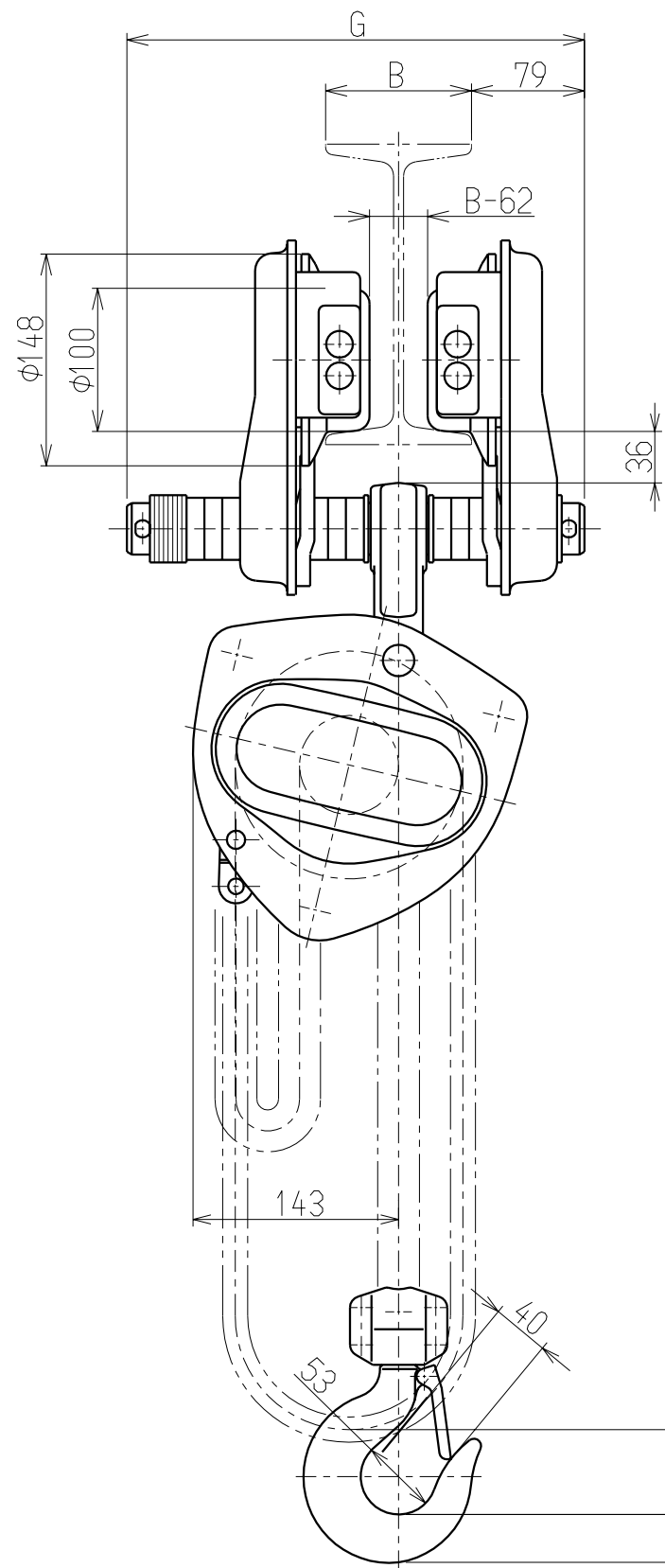
B

C

D

E

F



Particulars		
Nominal Capacity	2.5 t	
Lift	3.0 m	
Min. Headroom	: C	435 mm
Chain Pull to Lift Full Load	323 N (33 kg)	
Hand Chain	Length from Bottom of Beam : D	3.0 m
Min. Radius for Curve	1700 mm	1800 mm
Flange Width	: B	82~153mm 154~305mm
Max. Dimension of Trolley Width	: G	320 mm 470 mm
Mass	48 kg	50 kg

Note:
 The trolley can be installed on either tapered or flat flange.
 82 to 89mm available for only straight beam.

APPROVED	CHECKED	DESIGNED
SAITO 2007.10.26	OZAWA 2007.10.26	NAITO 2007.10.26

KITO CORP.

2.5 t CBSP SERIES CHAIN HOIST WITH PLAIN TROLLEY			
CODE	CBSP025	SCALE	1/5
DWG.NO.	C3BG025T7P-12100	DATE	

UNIT : mm