

1 2 3 4 5 6 7 8 9 10

A

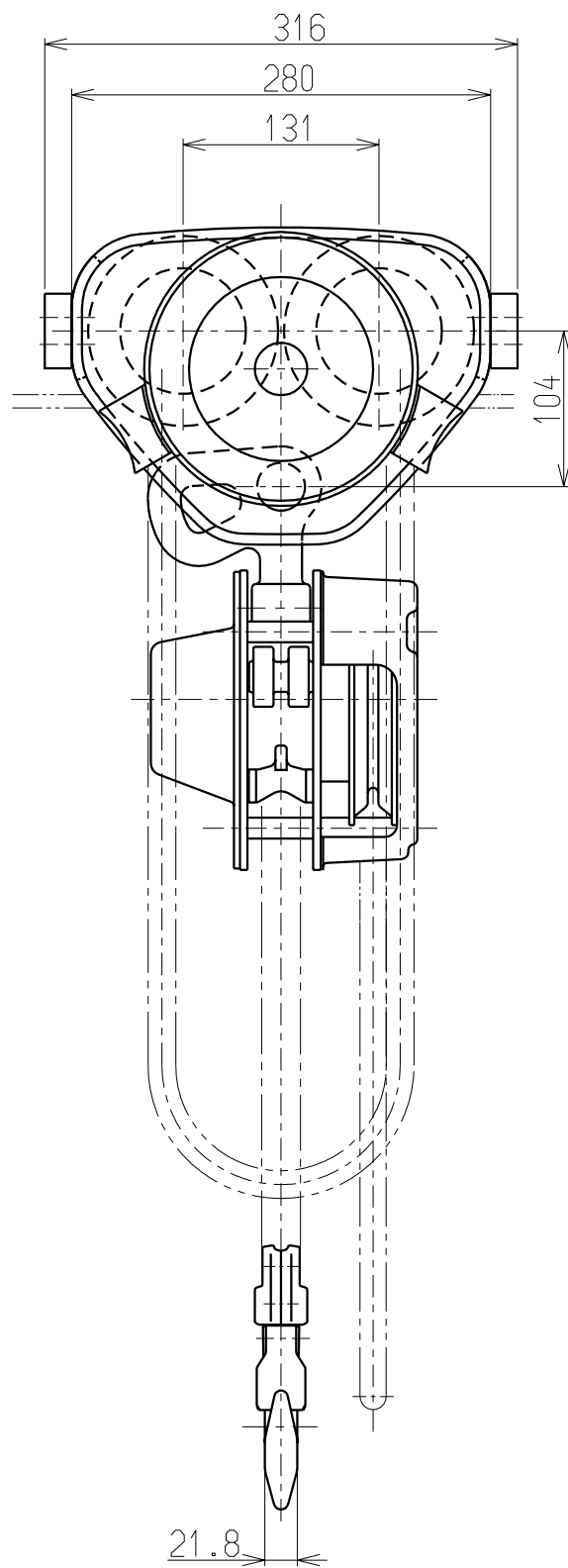
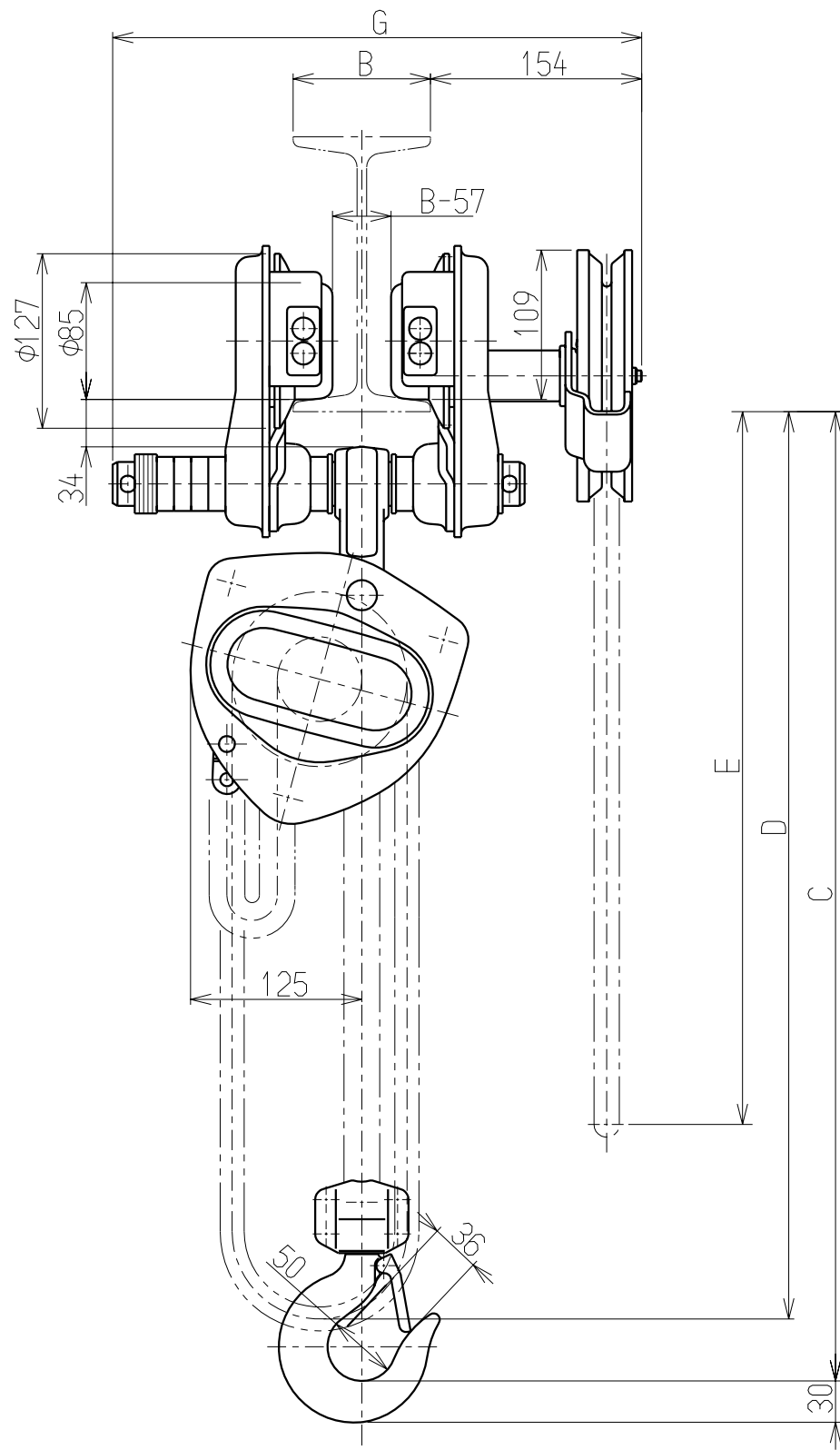
B

C

D

E

F



Particulars			
Nominal Capacity	2 t		
Lift	3.0 m		
Min. Headroom	: C	380 mm	
Chain Pull to Lift Full Load	353 N (36 kg)		
Hand Chain	for Lifting	Length from Bottom of Beam : D	3.0 m
	for Traversing	Length from Bottom of Beam : E	2.7 m
Min. Radius for Curve	1500 mm	1600 mm	
Flange Width	: B	82~153mm / 154~305mm	
Max. Dimension of Trolley Width	: G	385 mm / 535 mm	
Mass	37 kg	38 kg	

Note:
The trolley can be installed on either tapered or flat flange.

APPROVED	CHECKED	DESIGNED
SAITO 2007.10.26	OZAWA 2007.10.26	NAITO 2007.10.26
KITO CORP.		

2 t CBSG SERIES CHAIN HOIST WITH GEARED TROLLEY			
CODE	CBSG020	SCALE	1/5
DWG.NO.	C3BG020T7G-12100	DATE	

UNIT : mm