

1 2 3 4 5 6 7 8 9 10

A

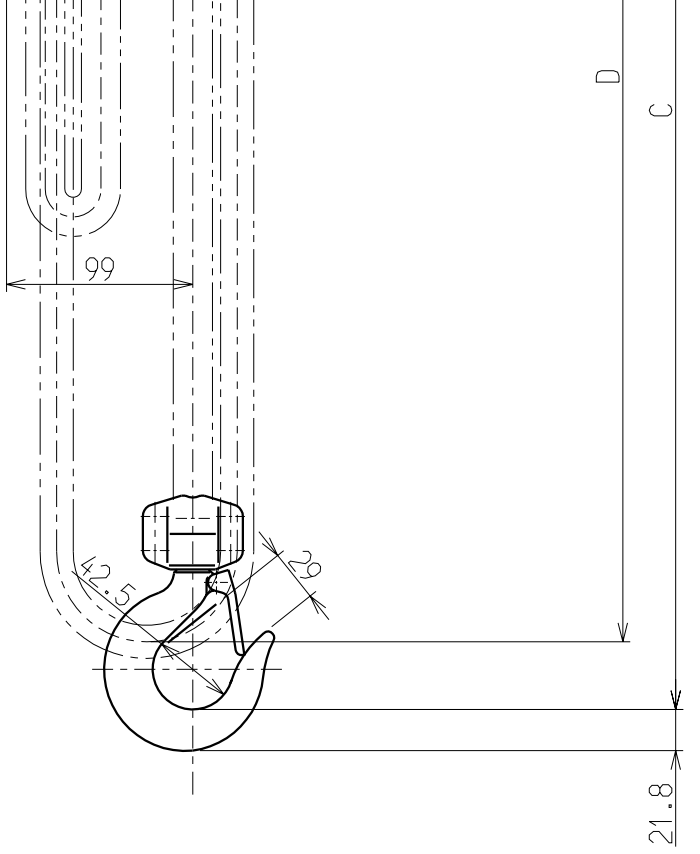
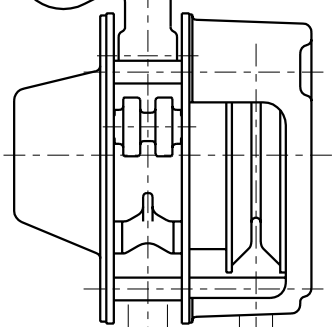
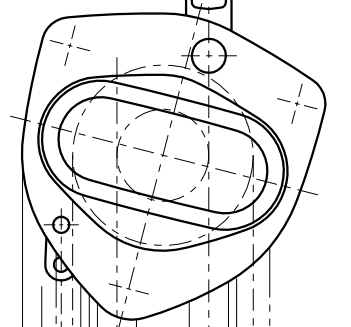
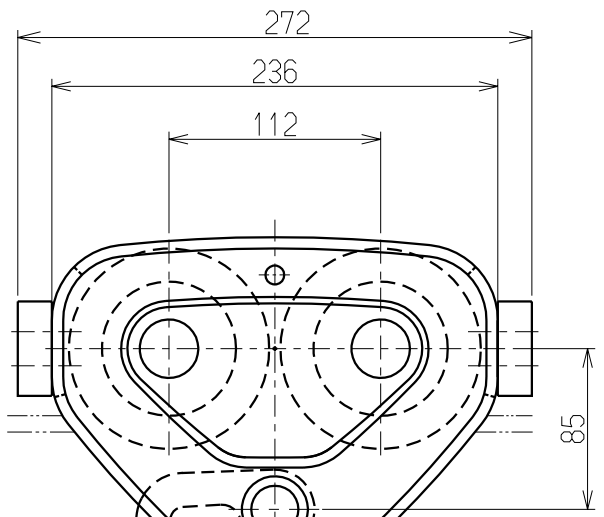
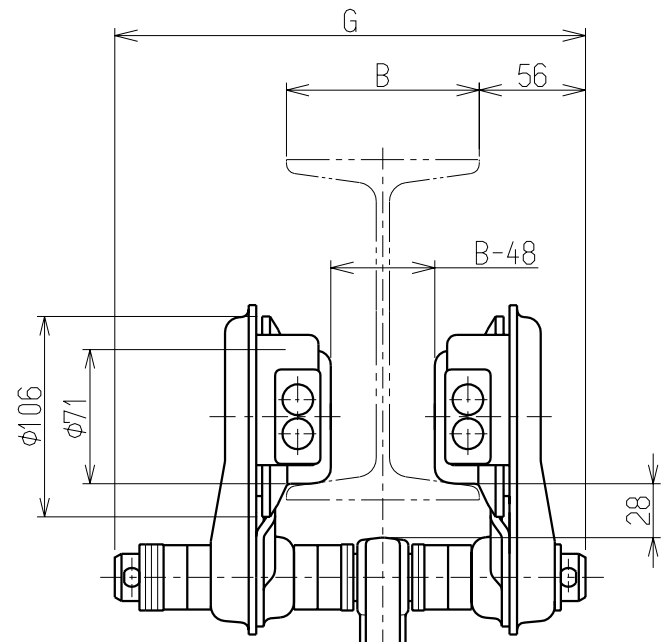
B

C

D

E

F



Particulars			
Nominal Capacity	1 t		
Lift	2.5 m		
Min. Headroom	: C	305 mm	
Chain Pull to Lift Full Load	284 N (29 kg)		
Hand Chain	Length from Bottom of Beam	: D	2.5 m
Min. Radius for Curve	1300 mm	1350 mm	1400 mm
Flange Width	: B	58~127mm	128~203mm 204~305mm
Max. Dimension of Trolley Width	: G	249 mm	324 mm 424 mm
Mass	19 kg	20 kg	

Note:
 The trolley can be installed on either tapered or flat flange.
 58 to 73mm available for only straight beam.

APPROVED	CHECKED	DESIGNED
SAITO 2007.10.26	OZAWA 2007.10.26	NAITO 2007.10.26
KITO CORP.		

1 t CBSP SERIES CHAIN HOIST WITH PLAIN TROLLEY			
CODE	CBSP010	SCALE	1/4
DWG.NO.	C3BG010T7P-12100	DATE	

UNIT : mm