

1 2 3 4 5 6 7 8 9 10

A

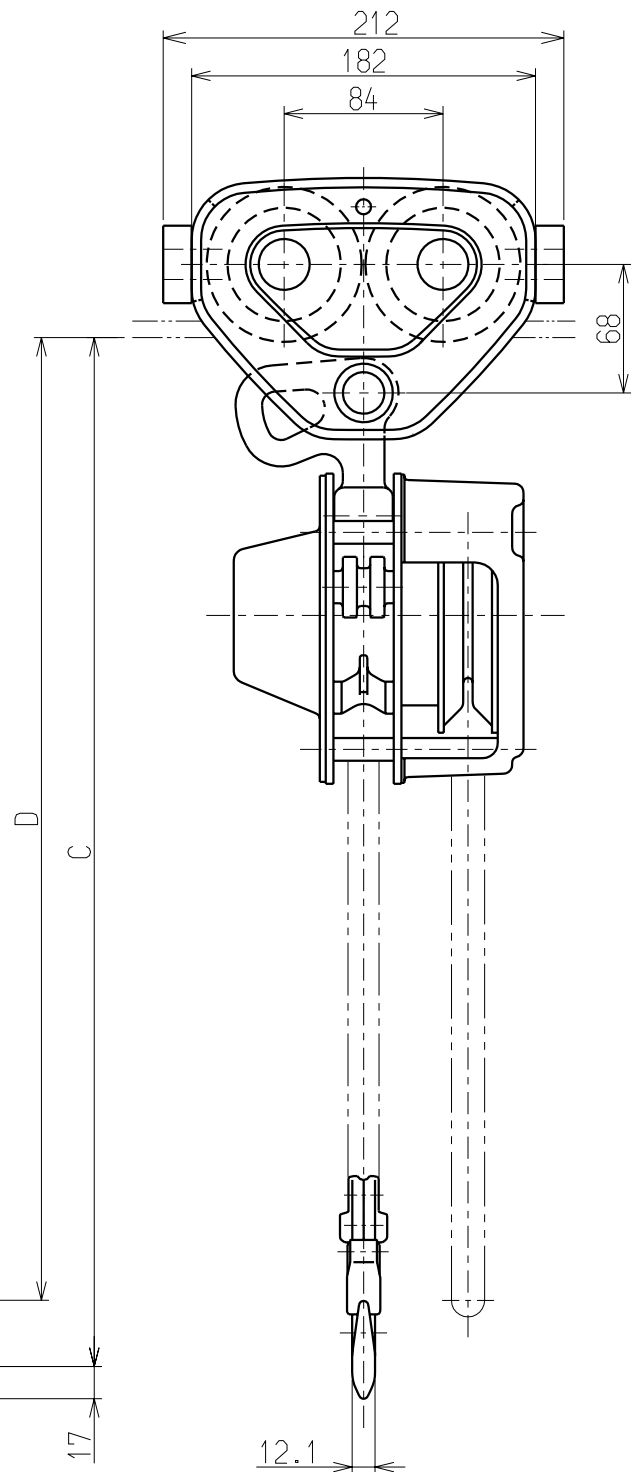
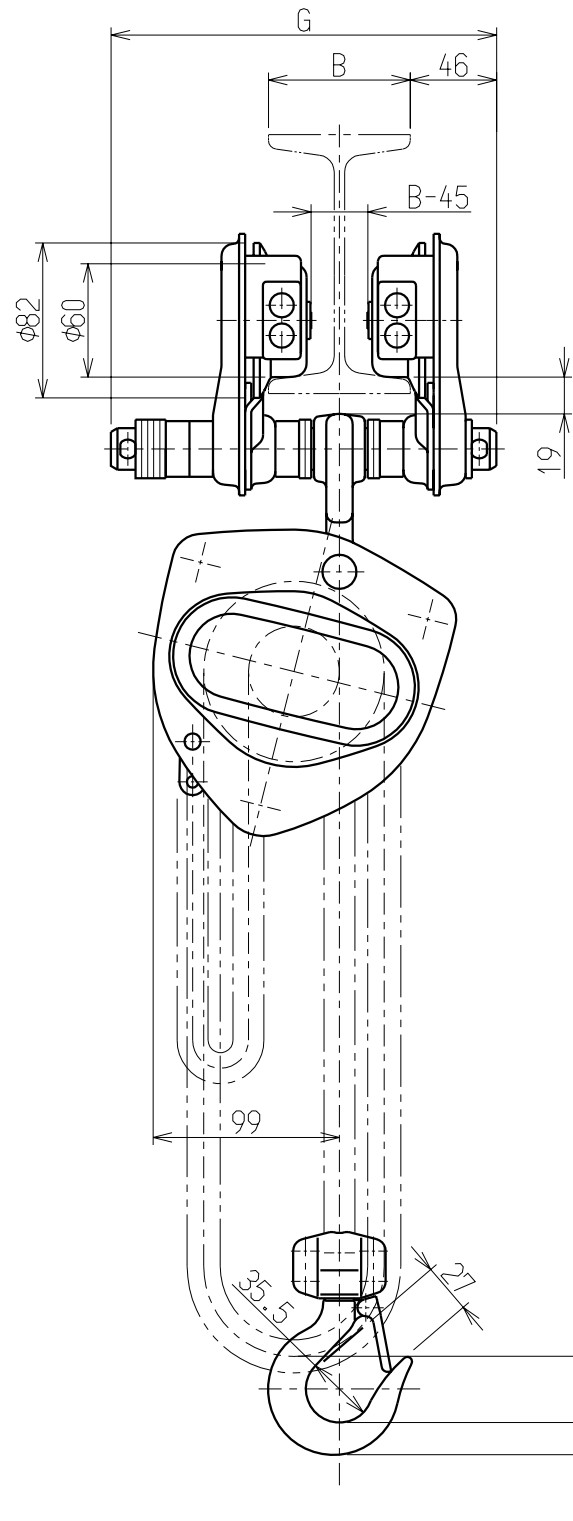
B

C

D

E

F



Particulars			
Nominal Capacity	500 kg		
Lift	2.5 m		
Min. Headroom	: C	295 mm	
Chain Pull to Lift Full Load	235 N (24 kg)		
Hand Chain	Length from Bottom of Beam	: D	2.5 m
Min. Radius for Curve	1100 mm	1150 mm	1200 mm
Flange Width	: B	50~102mm	103~203mm 204~305mm
Max. Dimension of Trolley Width	: G	204 mm	304 mm 404 mm
Mass	15 kg	16 kg	

Note:  
 The trolley can be installed on either tapered or flat flange.  
 50 to 57mm available for only straight beam.

APPROVED	CHECKED	DESIGNED
SAITO 2007.10.26	OZAWA 2007.10.26	NAITO 2007.10.26

500 kg CBSP SERIES CHAIN HOIST WITH PLAIN TROLLEY			
CODE	CBSP005	SCALE	1/4
DWG.NO.	C3BG005T7P-12100	DATE	

**KITO CORP.**

UNIT : mm