

1 2 3 4 5 6 7 8 9 10

A

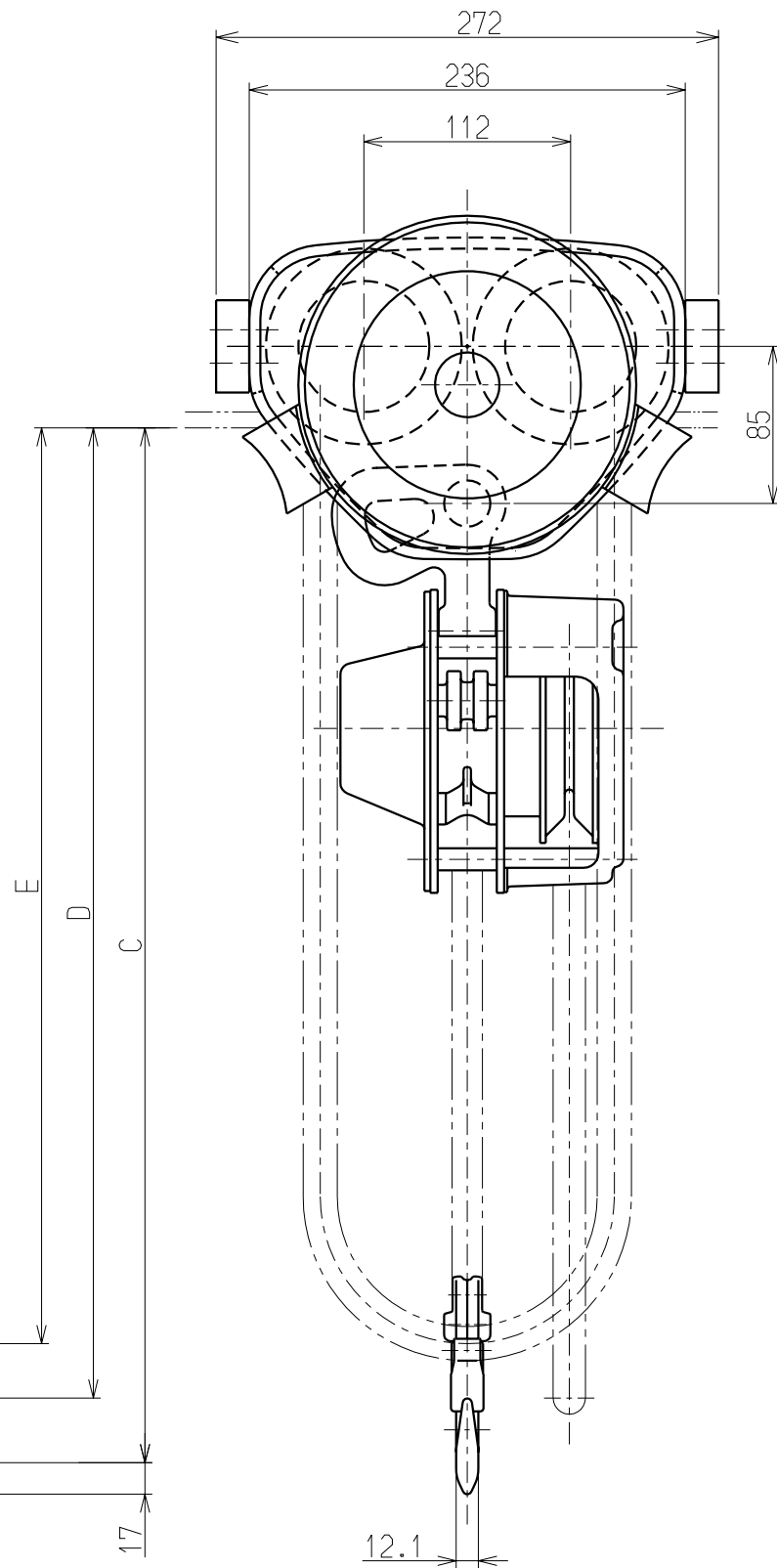
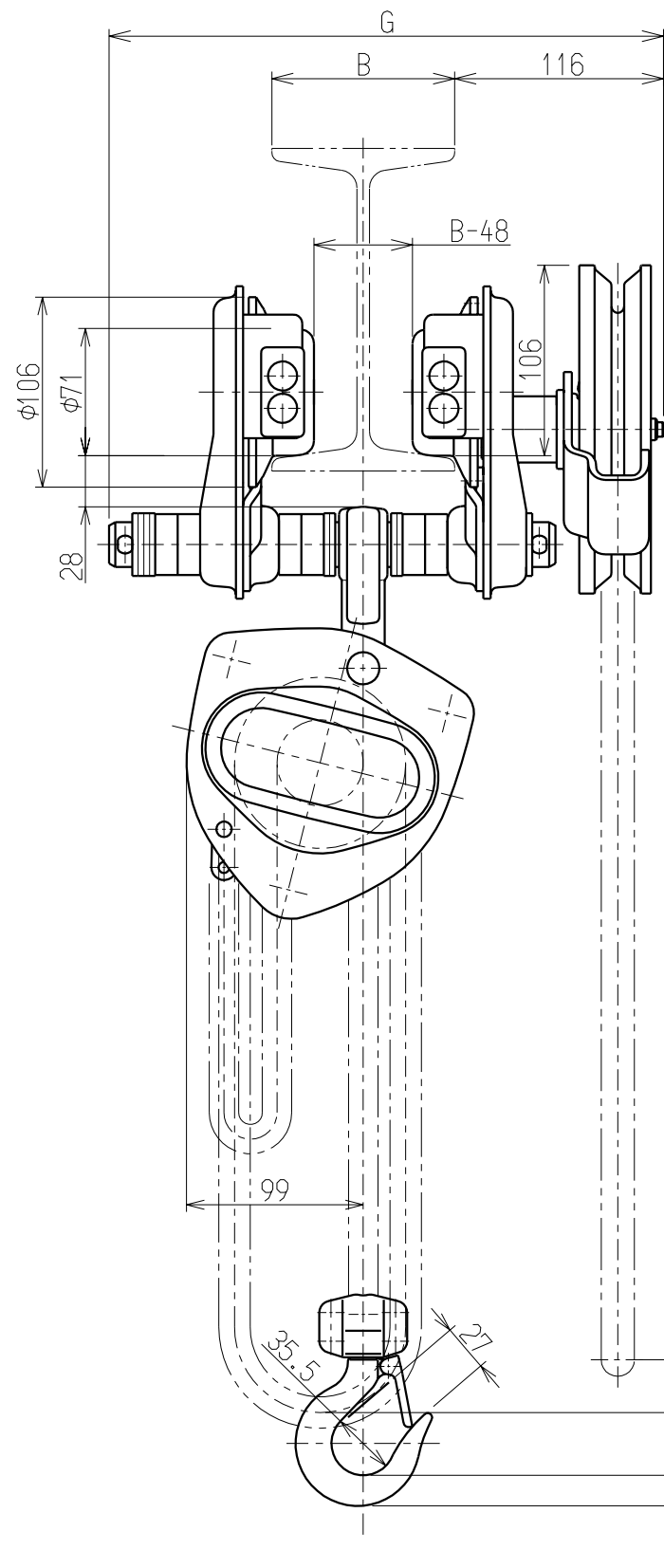
B

C

D

E

F



Particulars			
Nominal Capacity	500 kg		
Lift	2.5 m		
Min. Headroom	: C	305 mm	
Chain Pull to Lift Full Load	235 N (24 kg)		
Hand Chain	for Lifting	Length from Bottom of Beam : D	2.5 m
	for Traversing	Length from Bottom of Beam : E	2.2 m
Min. Radius for Curve	1300 mm	1350 mm	1400 mm
Flange Width	: B	58~127mm	128~203mm 204~305mm
Max. Dimension of Trolley Width	: G	309 mm	384 mm 484 mm
Mass	23 kg	24 kg	

Note:
 The trolley can be installed on either tapered or flat flange.
 58 to 73mm available for only straight beam.

APPROVED	CHECKED	DESIGNED
SAITO 2007.10.26	OZAWA 2007.10.26	NAITO 2007.10.26
KITO CORP.		

500 kg CBSG SERIES CHAIN HOIST WITH GEARED TROLLEY			
CODE	CBSG005	SCALE	1/4
DWG.NO.	C3BG005T7G-12100	DATE	

UNIT : mm