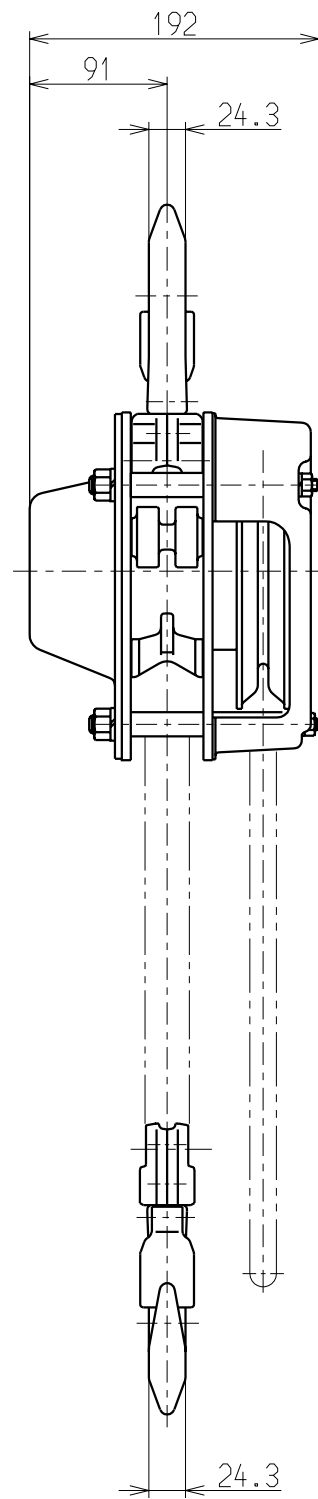
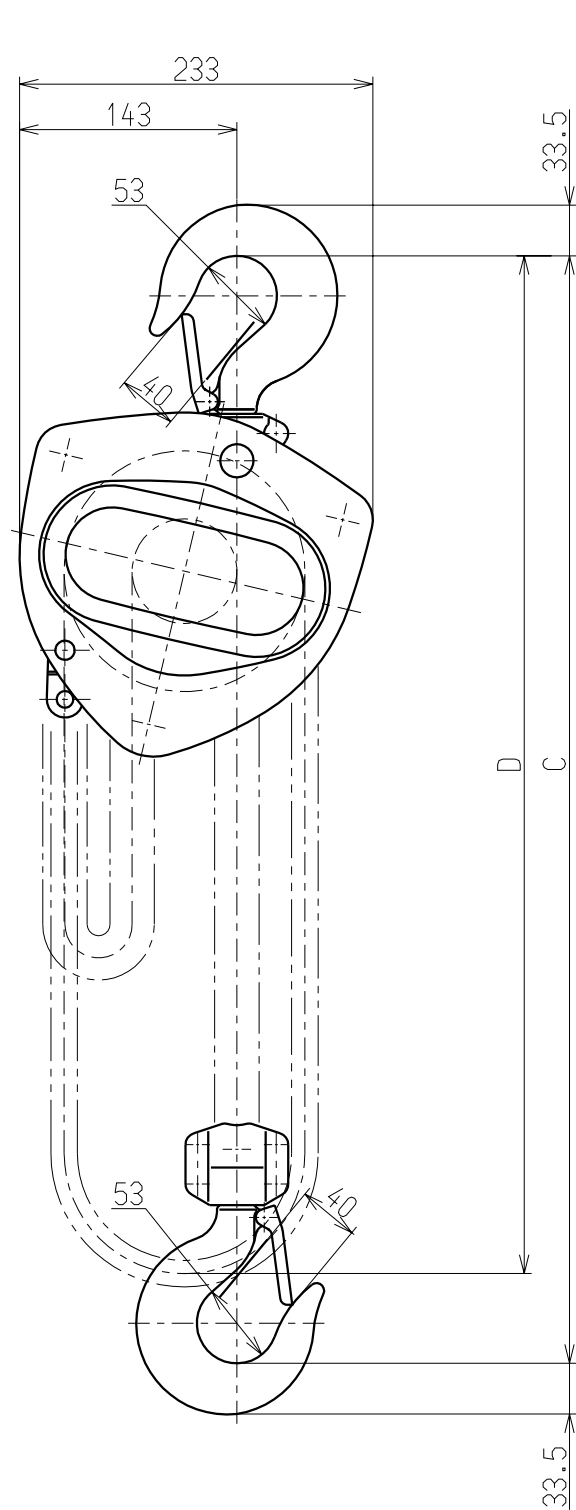


1 2 3 4 5 6 7 8 9 10

A
B
C
D
E
F



| Particulars | |
|-------------------------------------|----------------|
| Nominal Capacity | 2½ t |
| Std. Lift | 3.0 m |
| Min. Headroom : C | 420 mm |
| Chain Pull to Lift Full Load | 323 N (33 kgf) |
| Hand Chain Length from Top Hook : D | 3.0 m |
| Load chain size | 9 x 27 mm |
| Mass | 27 kg |

Note:

CB SERIES 2.5 t
MANUAL CHAIN HOIST

| APPROVED | CHECKED | DESIGNED |
|--------------------|---------------------|-------------------|
| SASAKI 2000.7.5 | OKUYAMA 2000.7.5 | ARUGA 2000.7.5 |

| | | | |
|---------|---------------|-------|--|
| CODE | CB025 | SCALE | |
| DWG.NO. | C3BA025-12100 | DATE | |

KITO CORP.

UNIT : mm