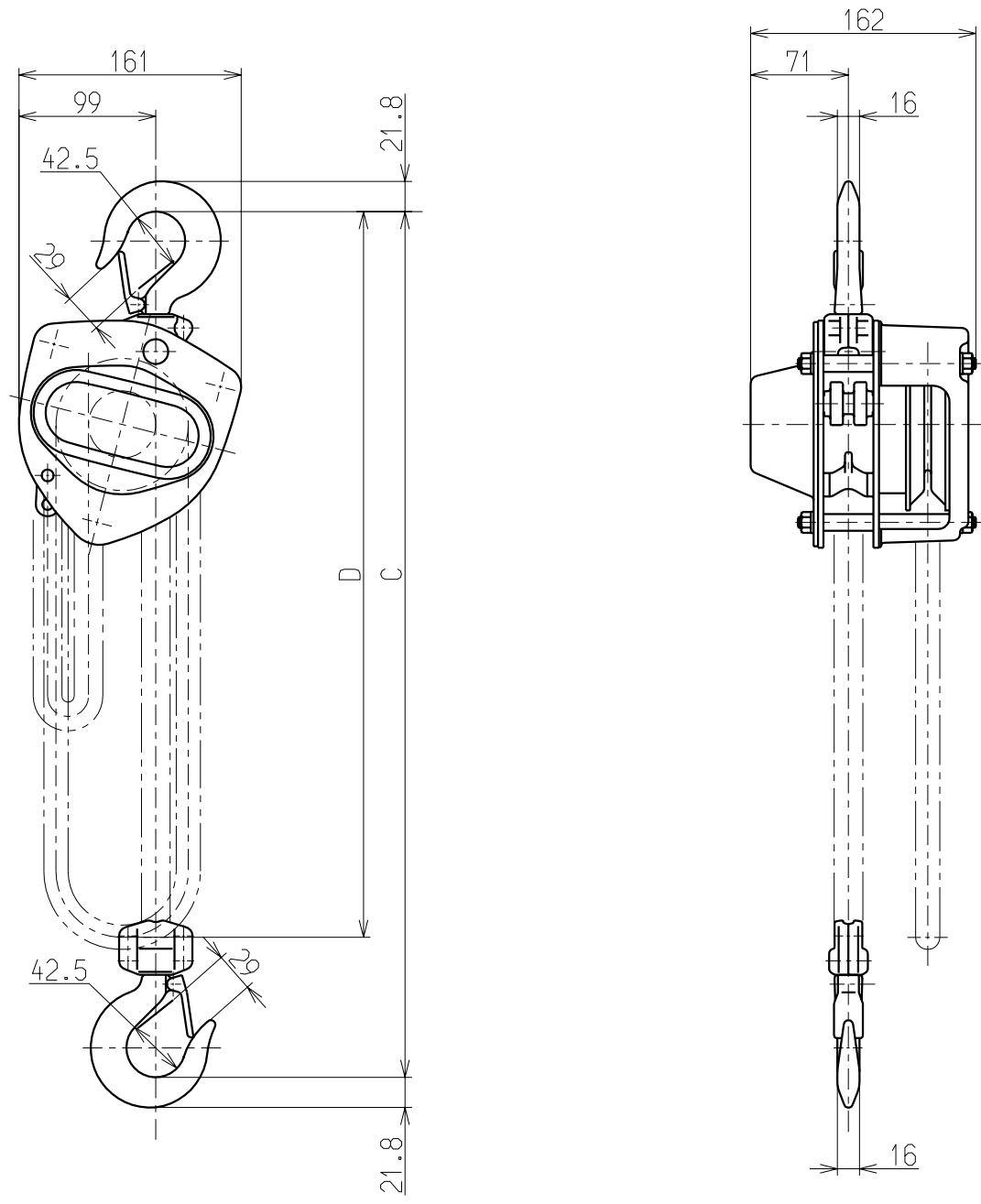


1 2 3 4 5 6 7 8 9 10

A
B
C
D
E
F



Specifications	
Working load limit	1 t
Std. lift	2.5 m
Min. headroom :C	295 mm
Chain pull to lift full load	284 N (29 kgf)
Hand chain Length from top hook :D	2.5 m
Load chain size	6.3 × 19 mm
Mass	11.5 kg

Note:

CB SERIES 1 t
MANUAL CHAIN HOIST

APPROVED	CHECKED	DESIGNED
SASAKI 2000.5.25	OKUYAMA 2000.5.25	ARUGA 2000.5.25

CODE	CB010	SCALE	
------	-------	-------	--

KITO CORP.

DWG.NO.	C3BA010-12100	DATE	
---------	---------------	------	--

UNIT : mm